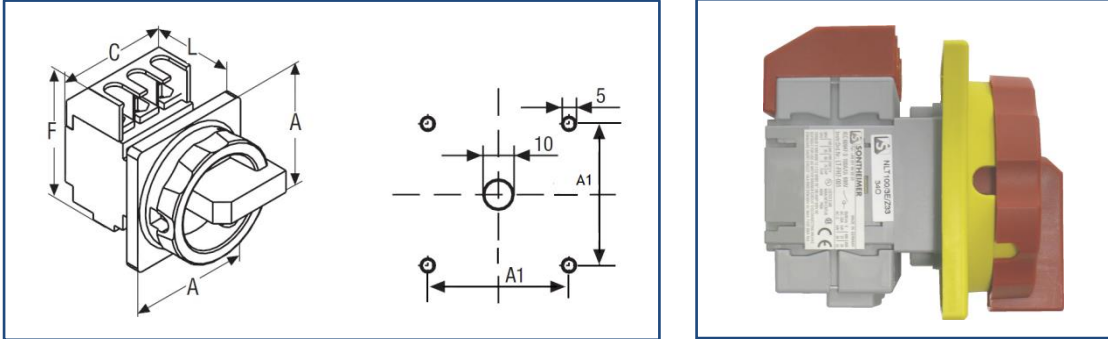


Disconnect Switch Mounting Templates

Door Mount Disconnect Switches 4 Hole Mounting Type “E”

Dimensional drawing and mounting template



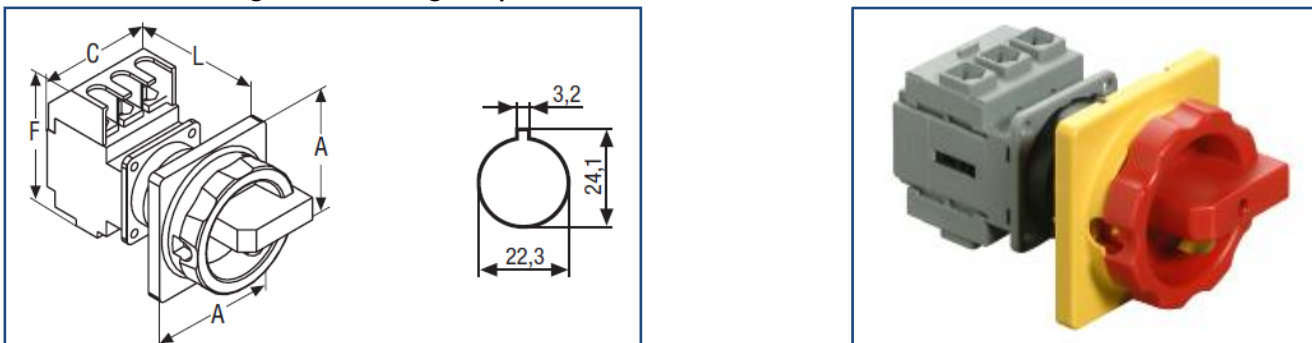
Dimensions

Model	A	A1	C			F	L
			3 Pole	4 Pole	6 Pole		
LBS-NLO16-63	66	48	36.4	49.5	—	73	53.5
LBS-NLO16-63	66	48	—	—	72.1	73	63.7
LBS-NLT63-80	66	48	60	80	121	73	59
LBS-NLT100-125	66	48	70	93	141	96	75
LBS-NLT180-250	94	68	112	150	224	169	93

Information subject to change without notice - All dimensions in mm

Door Mount Disconnect Switches Central Hole Mounting Type “ZM”

Dimensional drawing and mounting template



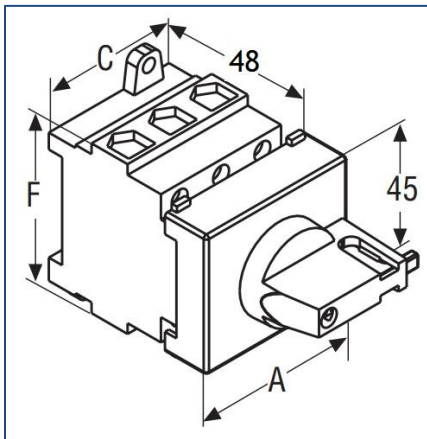
Dimensions

Model	Z33 Handle					Z20 Handle				
	A	C	C	F	L	A	C	C	F	L
		3 Pole	4 Pole				3 Pole	4 Pole		
LBS-NLO16-63	66	36	49.5	73	76	48.5	36	49.5	73	77
LBS-NLT63-80	66	60	80	83	84	—	—	—	—	—

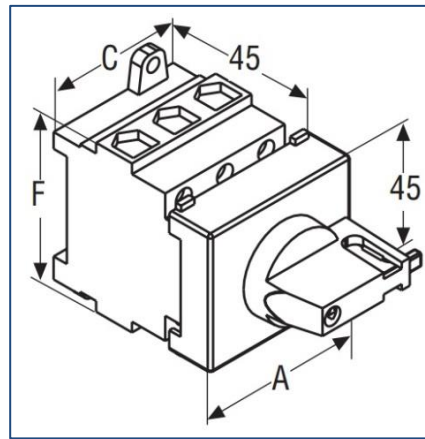
Information subject to change without notice - All dimensions in mm

DIN Rail Mount Disconnect Switches Type “T”

NLO dimensional drawing



NLT dimensional drawing



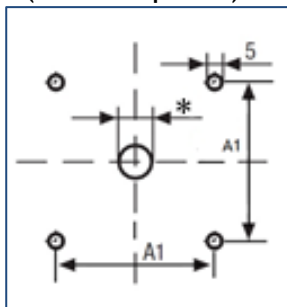
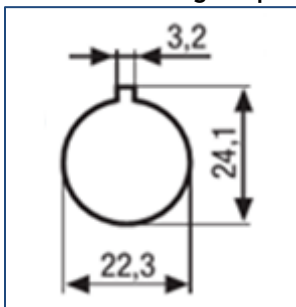
Dimensions

Model	A	A	A	C	C	C	F
	3 Pole	4 Pole	6 Pole	3 Pole	4 Pole	6 Pole	
LBS-NLO16-63	36	36	79	36	49	72	60
LBS-NLT63-80	63	83	125	60	82	121	64
LBS-NLT100-125	70	93	140	70	93	141	83

Information subject to change without notice - All dimensions in mm

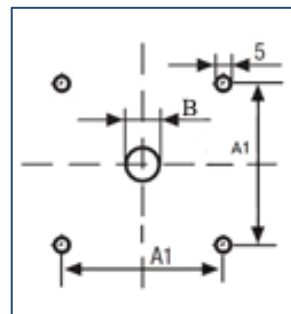
Panel Mount Disconnect Switches Type “V”

Code 71 mounting templates (4 screws optional)



* see template on left for dimensions of the centre hole

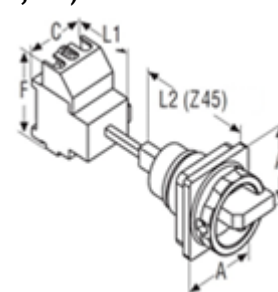
Code 39, 45, 64 & 65 switches with standard Z33 handle mounting template



Dimensions for Panel Mount Disconnect Switches Type “V” (codes 39, 45, 64, 65, 71)

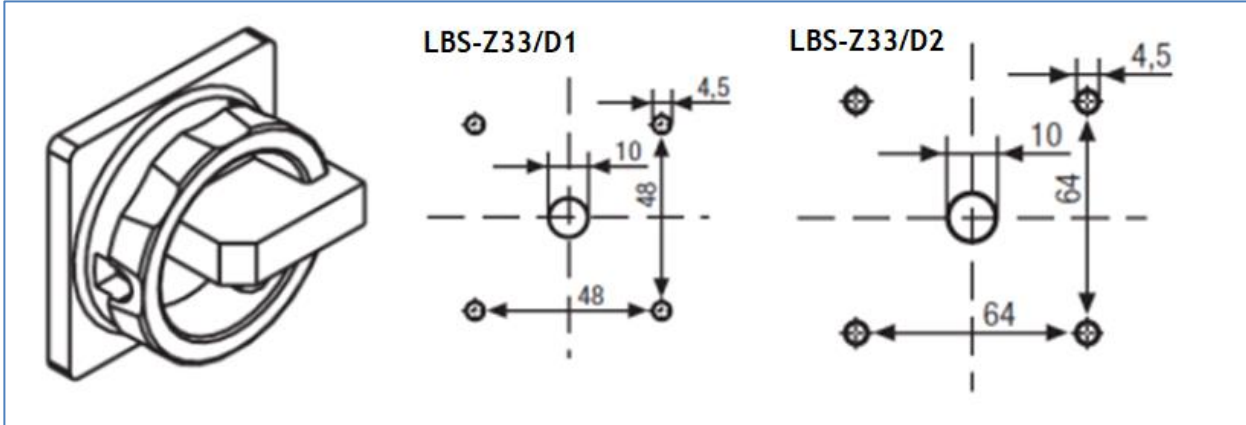
Model	A	A1	B	C	C	C	F	L1	L2
				3 Pole	4 Pole	6 Pole			Z45
LBS-NLO16-63	66	48	10	36	49	—	73	66.5	77
LBS-NLT63-80	66	48	10	60	80	121	83	59	80
LBS-NLT100-125	66	48	10	70	93	141	96	75	80
LBS-NLT180-250	94	68	12.5	112	150	224	169	93	47

Information subject to change without notice - All dimensions in mm



LBS-Z33/D1 & LBS-Z33/D2 Handles

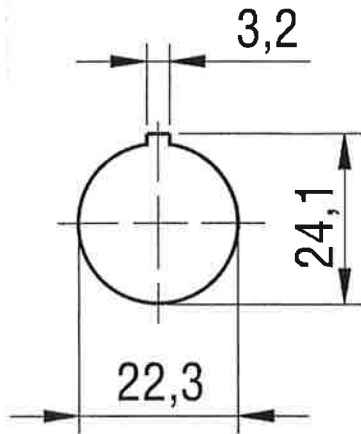
Dimensional drawing and mounting template



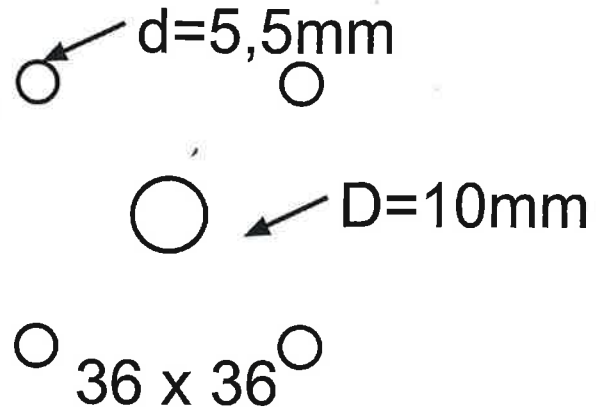
Information subject to change without notice - All dimensions in mm

Disconnect Switch Mounting Templates

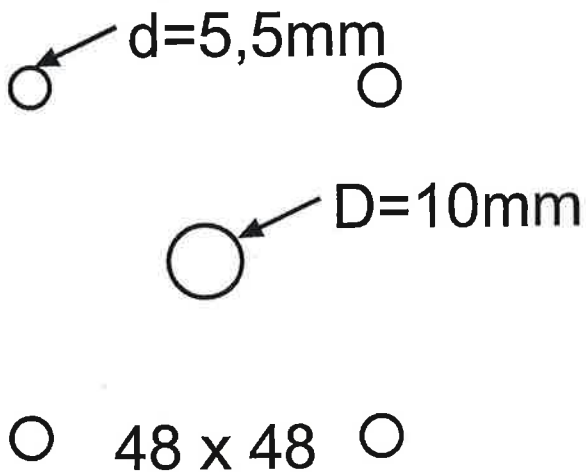
Central Hole Mount



Four Screw Mount



Four Screw Mount



Four Screw Mount

