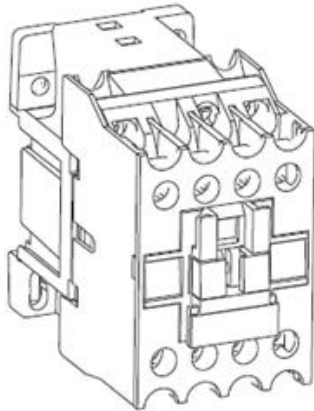


Ex9CDS09/12/18/25/32 General Purpose Contactor



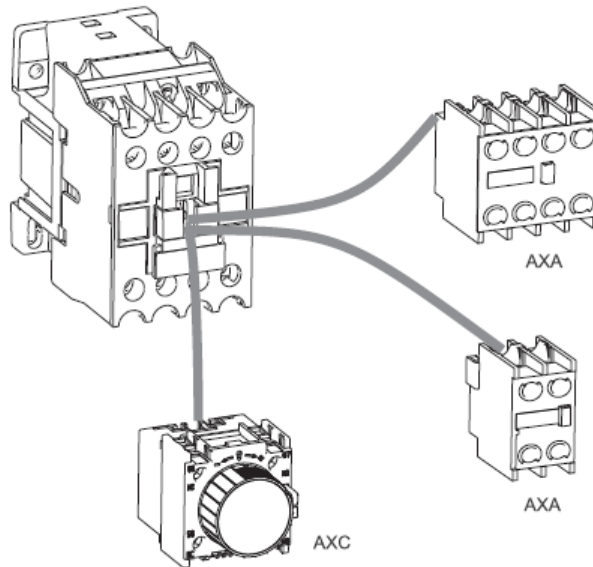
Z9CDS1201208NA

⚠ WARNING

DO NOT ATTEMPT TO INSTALL OR PERFORM MAINTENANCE ON EQUIPMENT WHILE IT IS ENERGIZED. DEATH, SEVERE PERSONAL INJURY, OR SUBSTANTIAL PROPERTY DAMAGE CAN RESULT FROM CONTACT WITH ENERGIZED EQUIPMENT. ALWAYS VERIFY THAT NO VOLTAGE IS PRESENT BEFORE PROCEEDING WITH THE TASK, AND ALWAYS FOLLOW GENERALLY ACCEPTED SAFETY PROCEDURES.

NOARK IS NOT LIABLE FOR THE MISAPPLICATION OR MISSAPPLICATION OF IT'S PRODUCTS.

	A	B	C	D	E	F	G	H	
	M3,5	0,8N-m[7Lb.in]	mm ² [AWG]	mm ² [AWG]	10[0.39] mm ² [AWG]	mm ² [AWG]	mm ² [AWG]	mm ² [AWG]	
	A1	M3,5 0,8N-m[7Lb.in]	mm ² [AWG]	mm ² [AWG]	10[0.39] mm ² [AWG]	mm ² [AWG]	mm ² [AWG]	mm ² [AWG]	
	A2		1~2,5[16~14]	1~2,5[16~14]	1~4[16~12]	1~2,5[16~14]	1~4[16~12]	1~4[16~12]	
Code	Model	A	B	C	D	E	F	G	H
Ex9CDS09	M3,5	0,8N-m[7Lb.in]	1~2,5[16~14]	1~2,5[16~14]	1~4[16~12]	1~2,5[16~14]	1~4[16~12]	1~4[16~12]	
Ex9CDS12	M3,5	0,8N-m[7Lb.in]	1~2,5[16~14]	1~2,5[16~14]	1~4[16~12]	1~2,5[16~14]	1~4[16~12]	1~4[16~12]	
Ex9CDS18	M3,5	0,8N-m[7Lb.in]	1,5~4[16~12]	1,5~4[16~12]	1,5~6[16~10]	1,5~4[16~12]	1,5~6[16~10]	1,5~6[16~10]	
Ex9CDS25	M4	1,2N-m[10Lb.in]	1,5~4[16~12]	1,5~4[16~12]	1,5~10[16~8]	1,5~6[16~10]	1,5~6[16~10]	1,5~6[16~10]	
Ex9CDS32	M4	1,2N-m[10Lb.in]	2,5~6[14~10]	2,5~6[14~10]	2,5~10[14~8]	2,5~6[14~10]	2,5~10[14~8]	2,5~10[14~8]	



Warning!

Motor may start automatically. Automatic start may injure persons and damage machines. Automatic restart is possible when “automatic reset” is active.

Avertissement !

Le redémarrage automatique du moteur peut provoquer des dégâts matériels et être dangereux pour personnes. Ce danger du redémarrage automatique correspond au mode «réarmement automatique».

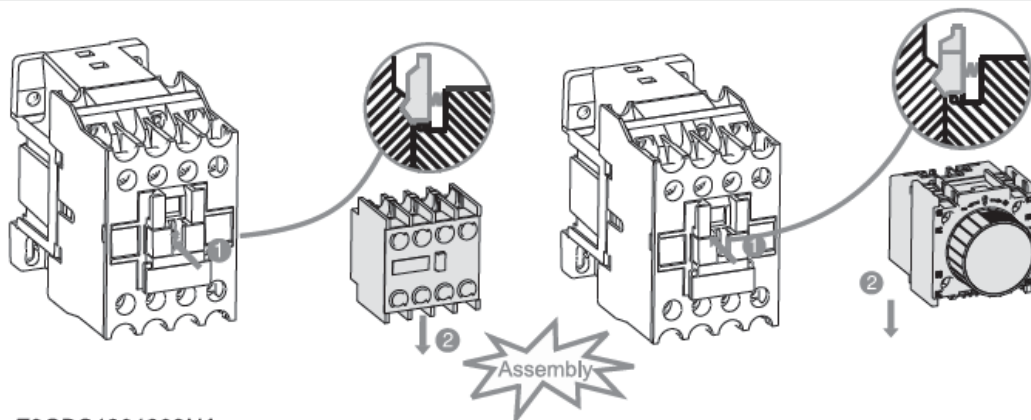


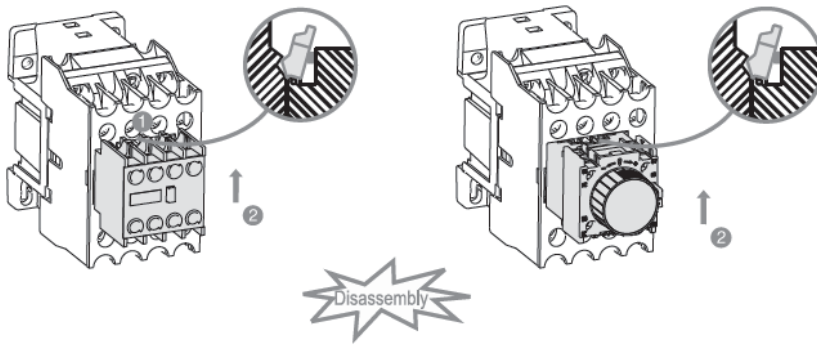
Dangerous Electrical Current!

Only skilled qualified persons may carry out the following operations.

Tension électrique dangereuse!

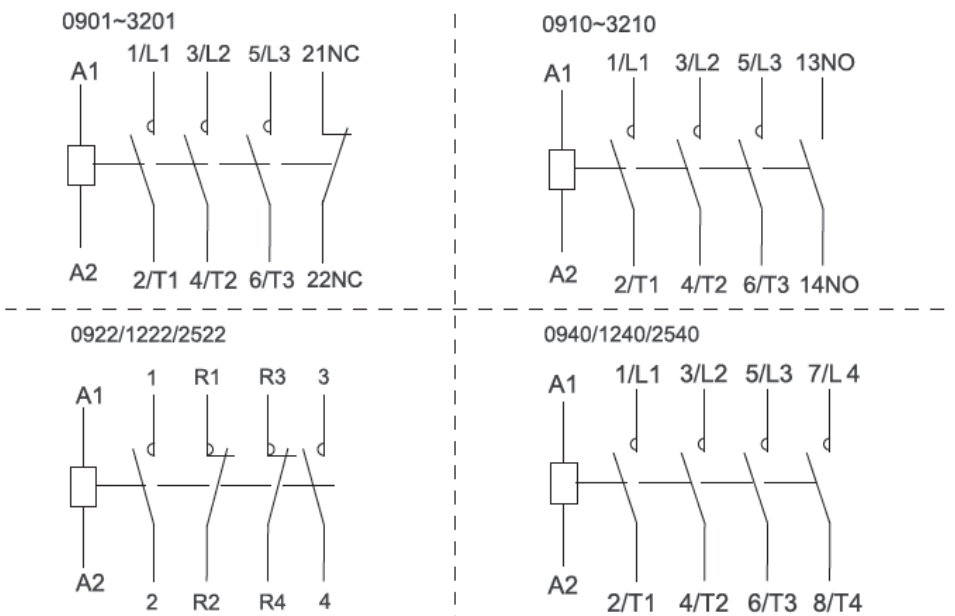
Seules les personnes qualifiées et averties doivent exécuter les travaux ci-après.





Disconnect all power before working on equipment.
Coupez toutes les alimentations avant de travailler sur l'équipement.

6/7



7/7



NOARK



Printed with environment-friendly paper

Copyright Noark. All Rights Reserved

www.noark-electric.com

08/2012