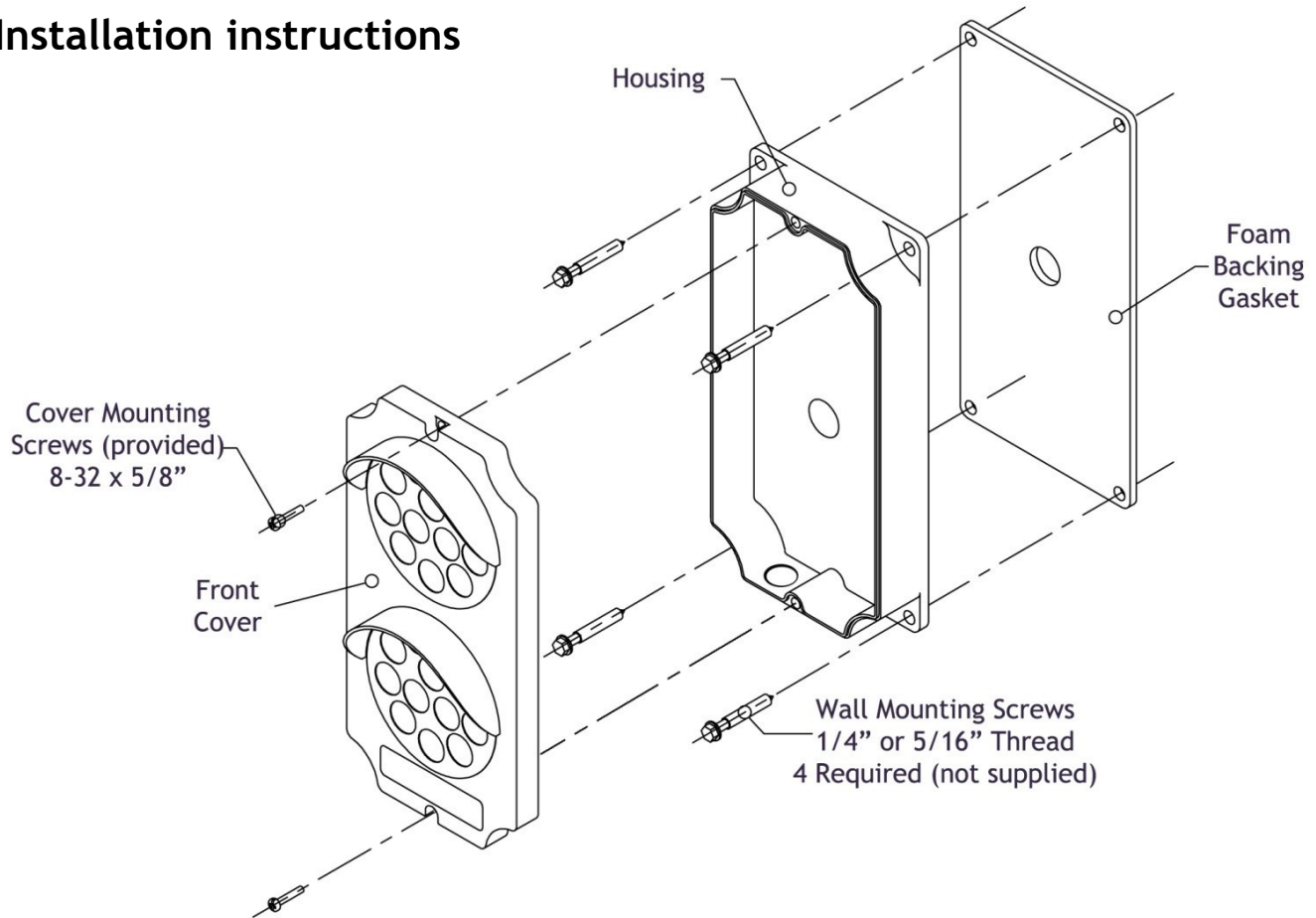


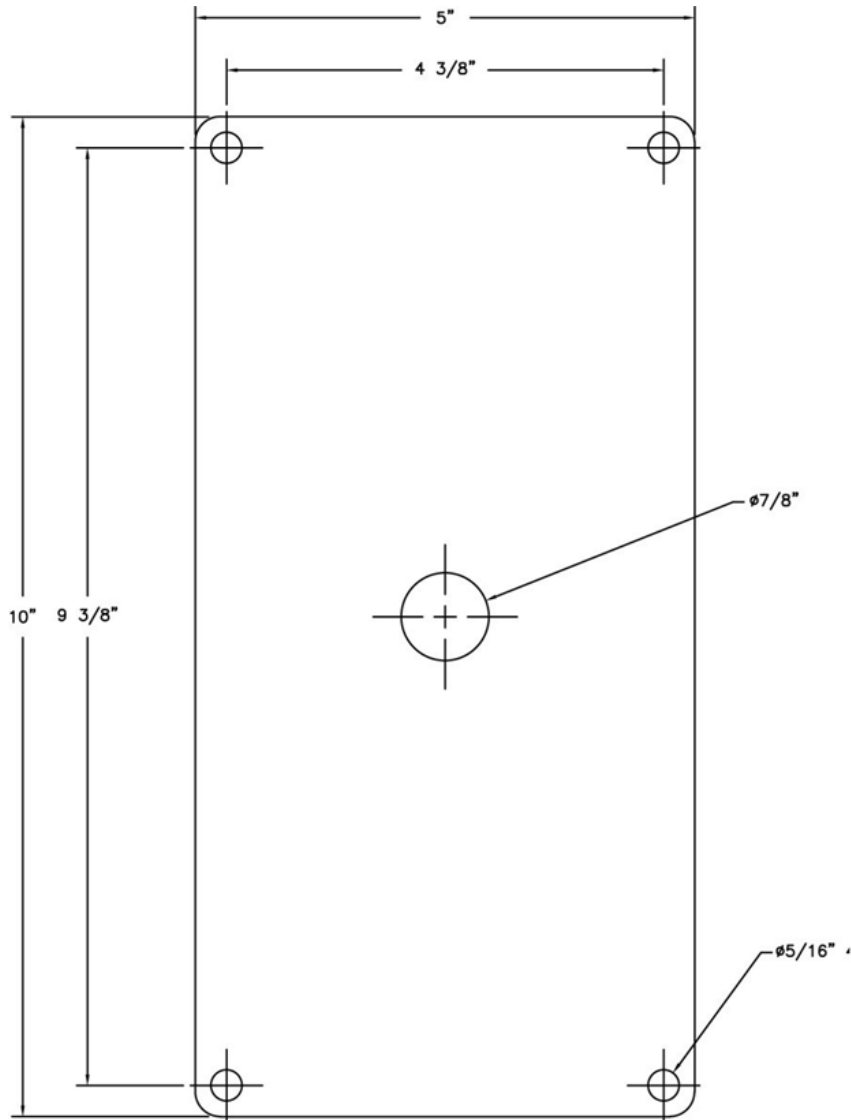
# TL96 LED Stop & Go lights

## Installation instructions

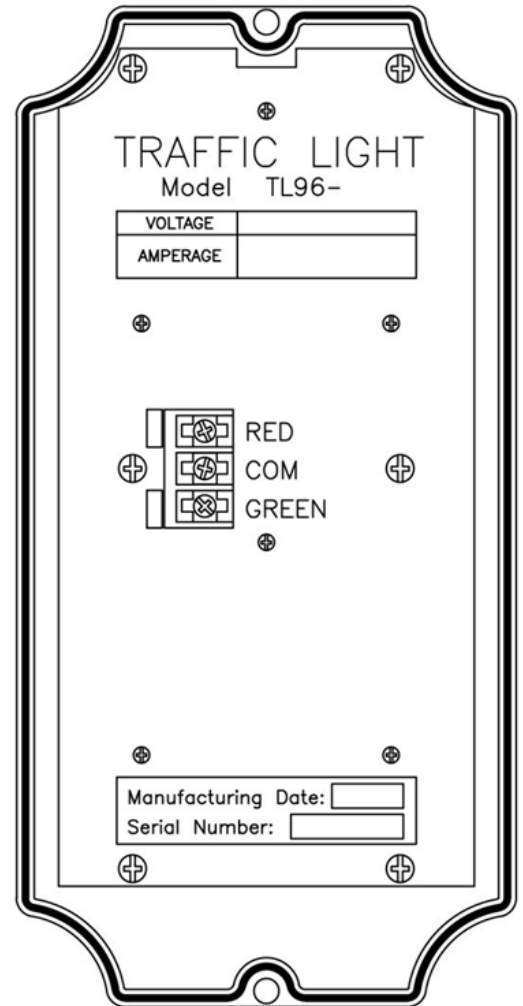


1. Disassemble the Front Cover from the Housing by removing the two provided Cover Mounting Screws (5/8" stainless steel 8-32 thread).
2. Install wall anchors that accept up to 5/16" thread screws (not supplied), using the mounting dimensions on the reverse of this page as reference, in preparation to fasten the enclosure to the wall.
3. Run and mount conduit (not provided) through or up the wall to meet either the back center or bottom of the housing and remove the appropriate 7/8" knockout. **DO NOT CONNECT CONDUIT/WIRING THROUGH THE TOP OR SIDE OF THE ENCLOSURE.**
4. Mount the rear Foam Backing Gasket and secure the enclosure to the wall using 4 (four) 1/4" or 5/16" thread stainless steel Wall Mounting Screws (not provided) and connect the conduit to the enclosure using a suitable connector.
5. Run the wiring and then connect to the clearly marked terminals on the rear of the Front Cover of the light (see Front Cover Inside View on reverse for reference).
6. Fasten the light to the mounted enclosure using the Cover Mounting Screws.

## Internal diagram and replacement part list



Mounting Hole Dimensions  
(not to scale)



Front Cover  
Inside View

### Replacement Parts List (order by Part No):

Part No	Description	Part No	Description
LED-TL96-01A-YL	Housing Base, Yellow	LED-TL96-03-HV	Printed Circuit Board, 115Vac
LED-TL96-01A-BK	Housing Base, Black	LED-TL96-04	Foam Backing Gasket
LED-TL96-01B-YL	Front Cover, Yellow	LED-TL96-05	Rope Gasket for Front Cover
LED-TL96-01B-BK	Front Cover, Black	LED-TL96-06	Circular Gasket for Lens
LED-TL96-02-RD	Red Lens	LED-TL96-07	Cover Mounting Screws
LED-TL96-02-GR	Green Lens	LED-TL96-08	PC Board Mounting Screws
LED-TL96-03-LV	Printed Circuit Board, 12/24V		

Information subject to change without notice