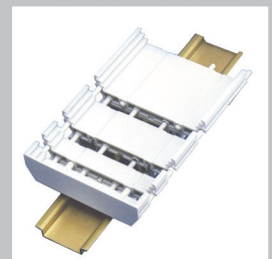
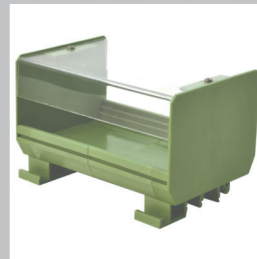
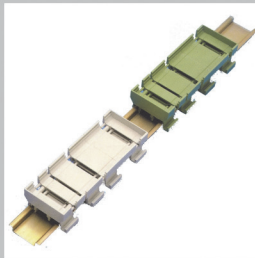
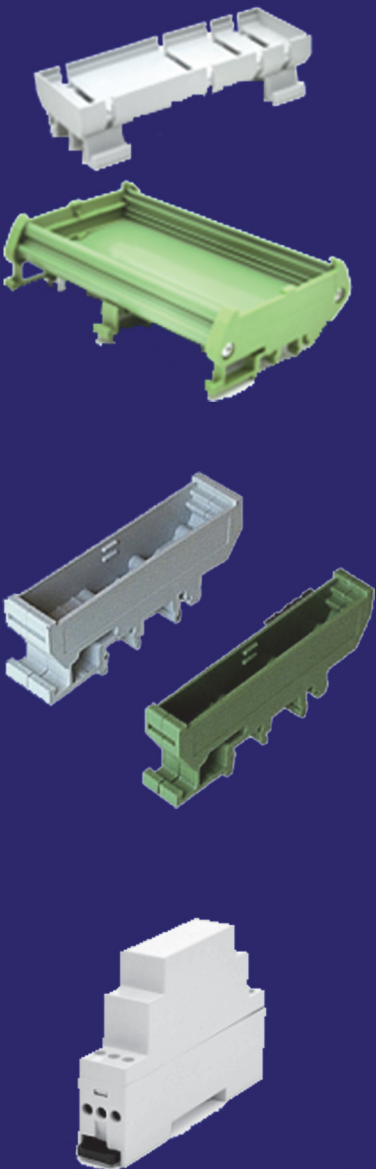




Electrical Components

DIN Rail Mounted Modular Supports & Housings

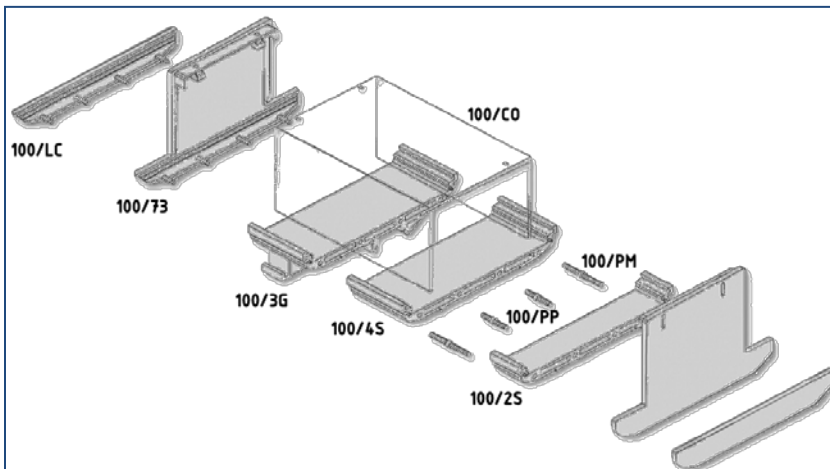
Open-style modules for PCB mounting ▪
Closed-style component housings



Modular, DIN-Rail Mounted PCB and Component Housings

The modular housings for printed circuit boards and electronic components by ITC are ideal for mounting small devices in control, automation and instrumentation systems.

All the modules are designed to current European standards and mountable on all types (symmetric 35mm, symmetric 15mm, and asymmetric 32mm) of DIN Rail.



Features:

- **Material:** Body made of self-extinguishing polyamide UL94 V0 grey, green or black
- **Three models** allow for **five widths** of printed circuit boards: 43mm, 68mm, 72mm, 100mm or 108 mm
- Type DL modules provide protected housing for a combination of motherboard/daughter boards and/or electronic components such as relays, timers, interfaces, etc.
- Length of modules can vary in multiples of 10, 11.25 or 15 mm depending on the type of module.
- Transparent protective covers are available upon request
- Custom length modules are available. Consult ITC at the address below
- ITC also offers a 1000mm long extruded plastic housing profile, to be cut to custom length and terminated by means of end elements. Please consult ITC on this new product

Modular Component Housing (Order by Part No.)

Part No.	Model	Description	Colour	Pack
420.431	43/11/L	Side element 11.25mm for 43mm series	Green	10
420.432	43/11	Intermediate Module 11.25mm for 43mm series	Green	10
420.433	43/22	Intermediate Module 22.5mm for 43mm series	Green	10
420.434	43/45	Intermediate Module 45mm for 43mm series	Green	10
420.439	43/A	Universal foot for 43mm series	Green	10
420.701	72/11/L	Side element 10.25mm for 72mm series	Green	10
420.702	30/2	Complete Module 72/2B	Green	5
420.703	30/3	Complete Module 72/3B	Green	5
420.722	72/12/L	Side element 12.25mm for 72mm series	Green	10
420.723	72/45/L	Side element 45mm for 72mm series	Green	10
420.724	72/22/L	Side element 22.5mm for 72mm series	Green	10
420.725	72/10	Intermediate Module 10.25mm for 72mm series	Green	10
420.726	72/11	Intermediate Module 11.25mm for 72mm series	Green	10
420.727	72/22	Intermediate Module 22.5mm for 72mm series	Green	10
420.728	72/45	Intermediate Module 45mm for 72mm series	Green	10
420.729	72/A	Universal foot for 72mm series	Green	10
420.781	108/LSx	Low end cover w/DIN foot & screws for 108mm extruded profile, left	Green	1
420.782	108/LDx	Low end cover w/DIN foot & screws for 108mm extruded profile, right	Green	1
420.783	108/PRO/A	DIN foot for extruded profile 108mm, green	Green	1
420.785	108/1000	PCB mounting extruded profile, 108mm wide l=1m	Green	1
420.791	72LSx	Low end cover w/DIN foot & screws for 72mm extruded profile, left	Green	1
420.792	72LDx	Low end cover w/DIN foot & screws for 72mm extruded profile, right	Green	1
420.793	72/PRO/A	DIN foot for extruded profile 72mm, green	Green	1
420.795	72/1000	PCB mounting extruded profile, 72mm wide l=1m	Green	1
421.001	100/LC	Side element, low with pins, for 100mm series	Green	1
421.003	100/2S	Intermediate Module 20mm no foot for 100mm series	Green	1
421.004	100/4S	Intermediate Module 40mm no foot for 100mm series	Green	1
421.005	100/3S	Intermediate Module 35mm no foot for 100mm series	Green	1
421.007	100/PP	Plastic pin (use with 100 mm series)	Green	10
421.008	100/PM	Metal pin (use with 100 mm series)	-	10
421.009	100/4G	Intermediate Module 40mm with foot for 100mm series	Green	1
421.010	100/3G	Intermediate Module 35mm with foot for 100mm series	Green	1
421.012	100/73	Extra high side element 60mm longx73 mm high, for 100mm series	Green	1

Note: all dimensions are in mm. Information subject to change without notice.

Modular, Din-Rail Mounted Component Housings

MODUL-Rail modular housings by ITC are suitable for mounting instrumentation, controls, relays, timers, etc...

Designed to current European standards, these modules are mountable on symmetric 35 mm DIN Rail, and are 17.5 mm (~11/16") wide, or entire multiples (2x - 6x).

The raised part of these modules is manufactured to fit inside a standard slot 45 mm (~1 3/4") wide.

Features:

- Material: Body made of self-extinguishing PC/ABS polymer blend; UL94 V2 (V0 upon request), grey
- Available with closed top (standard), or with a hinged top (upon request), either grey, clear transparent or red transparent polycarbonate
- Top and bottom pieces are assembled by one or two self-tapping screws
- Holes are provided for accessing printed circuit board mounted terminal blocks, 5.08 mm (200/1000") pitch, height between 15 mm and 18 mm. (~9/16" - 11/16")
- Custom drilling of either body or cover is available



Component Housing (Order by Part No.)

Part No.	Model	Description	Height (internal)	Width (external)	Width (internal)	Depth (external)	Depth (internal)	Term. Blocks (max.)
426.011	MR1/C	Modular Housing (1 module) closed top	61	17.5	14	90	86	3 + 3
426.012	MR1/AG	Modular Housing (1 module) hinged top, grey	55.5	17.5	14	90	86	3 + 3
426.013	MR1/AT	Modular Housing (1 module) hinged top, transparent	55.5	17.5	14	90	86	3 + 3
426.021	MR2/C	Modular Housing (2 modules) closed top	61	35	31	90	86	6 + 6
426.022	MR2/AG	Modular Housing (2 modules) hinged top, grey	55.5	35	31	90	86	6 + 6
426.023	MR2/AT	Modular Housing (2 modules) hinged top, transparent	55.5	35	31	90	86	6 + 6
426.031	MR3/C	Modular Housing (3 modules) closed top	61	52.5	48.5	90	86	8 + 9
426.032	MR3/AG	Modular Housing (3 modules) hinged top, grey	55.5	52.5	48.5	90	86	8 + 8
426.033	MR3/AT	Modular Housing (3 modules) hinged top, transparent	55.5	52.5	48.5	90	86	8 + 8
426.041	MR4/C	Modular Housing (4 modules) closed top	61	70	67.5	90	86	12+13
426.042	MR4/AG	Modular Housing (4 modules) hinged top, grey	55.5	70	67.5	90	86	12+13
426.043	MR4/AT	Modular Housing (4 modules) hinged top, transparent	55.5	70	67.5	90	86	12+13
426.061	MR6/C	Modular Housing (6 modules) closed top	61	105	100	90	86	17+18
426.062	MR6/AG	Modular Housing (6 modules) hinged top, grey	55.5	105	100	90	86	18+18
426.063	MR6/AT	Modular Housing (6 module2) hinged top, transparent	55.5	105	100	90	86	18+18
426.091	MR9/C	Modular Housing (9 modules) closed top	61	157.5	153.5	90	86	27+27
426.092	MR9/AG	Modular Housing (9 modules) hinged top, grey	55.5	157.5	153.5	90	86	28+28
426.093	MR9/AT	Modular Housing (9 modules) hinged top, transparent	55.5	157.5	153.5	90	86	28+28

Note: all dimensions are in mm. Information subject to change without notice.