



ELECTRICAL COMPONENTS

Industrial Enclosures and Cabinets

- Non-metallic ▪ Aluminum
- Distribution enclosures
 - Junction boxes
 - Utility boxes



els spelsberg

USE



Enclosures and Cabinets for Control, Automation, Electrical Distribution & Electronic Components

ITC is your source for non-metallic and aluminum enclosures designed for most modern applications in the electrical, electronics, control and automation industries.

We offer an extensive choice of models and sizes to suit the needs of most projects and applications:

- TK-PS polystyrene enclosures 4
- TK-PC polycarbonate enclosures..... 4
- TG polycarbonate enclosures.....10
- GEOS enclosures 12
- EK-UL distribution enclosures 19
- AKL large polystyrene enclosures 20
- AKi large polycarbonate enclosures 20
- HP junction boxes 22
- Small polypropylene enclosures 23
- DIN-rail mounted utility box..... 23
- EN/NE ABS/polycarbonate hinged enclosures 24
- EN/NE polyester hinged enclosures 24
- Control BOX hinged enclosures..... 29
- AL aluminum enclosures..... 30
- ALS AL enclosures 31

The following table will assist in the choice of the enclosure most appropriate for your application:

Enclosures	Min. size (mm)	Max. size (mm)	cULus	Operating Temp. (C)	IP Rating	Out-door	IK Rating	Page
TK-PS polystyrene	52x50x35	360x254x165	N	-25 to 35	IP66	N	IK07	4
TK-PC polycarbonate	52x50x35	360x254x165	Y	-35 to 60	IP66	Y	IK08	4
TG-PC polycarbonate	82x84x55	302x232x110	Y	-35 to 60	IP66/67	Y	IK08	10
EK-UL polycarbonate distribution	130x94x80	360x254x123	Y	-35 to 40	IP65	Y	-	11
GEOS	300x300x180	400x500x226	Y	-35 to 80	IP66/67	Y	IK09	12
AKL large polystyrene	300x150x132	600x300x209	N	-25 to 35	IP65	N	IK07	20
Aki large polycarbonate	300x150x132	600x300x209	N	-35 to 60	IP65	Y	IK08	20
HP junction boxes	75x75x42	199x149x77	N	-25 to 35	IP55	N	IK07	22
Small polypropylene	56x40x23	85x85x37	N	-25 to 35	IP20/55	N	—	23
DIN-rail utility box	45x55x75	—	N	—	NA	N	—	23
EN/NE ABS /polycarbonate hinged	100x130x70	600x800x280	Y	-40 to 90	IP67	N	IK08	24
EN/NE polyester hinged	100x130x70	600x800x280	Y	-40 to 75	IP67	Y	IK08	24
Control BOX hinged	200x300x180	600x800x280	Y	-40 to 75	IP67	Y *	IK08	29
AL aluminum	50x45x30	330x220x110	N	-35 to 60	IP66	Y	IK09	30
ALS aluminum	89x89x64	388x270x117	Y	-35 to 75	IP66	Y	IK09	31

Information subject to change without notice
* PCG and PCT versions only

Spelsberg Enclosures and Cabinets

Spelsberg is a leading manufacturer in the electrical industry, especially serving in the electrical installation and enclosure technology sectors.

The family-owned company designs and produces products and systems for the electrical trade and industrial sector and is known as a competent problem solver for all things around enclosures, with high quality standards, technological capabilities, and its own UL-certified testing laboratory.

The product range comprises more than 5,000 available products, including Industrial Enclosures and Cabinets, Junction boxes, Small Distributions boxes, Terminal block and meter housings, E-mobility systems, and various accessories. Additionally, custom solutions can be designed and produced.

Selected Spelsberg products not shown in this catalog (ask ITC for more information):

Junction boxes



Socket & power distribution



Combinable distribution boxes



Ventilation elements



E-mobility solutions



TK-PS Polystyrene Enclosures

TK-PC Polycarbonate Enclosures

ITC's TK-PS enclosures, made of polystyrene, and type TK-PC enclosures, made of fiberglass-reinforced polycarbonate, can be used for all applications where electrical components must be protected against corrosion, liquids, dust, or undue access.

These enclosures are available in 14 convenient formats, with up to 6 different cover heights for certain models, with either solid grey or transparent polycarbonate covers.

Side walls can be with metric knock-outs ('m' suffix in model), or grey/smooth ('o' suffix in model).

Features and specifications:

- Can be combined together by means of assembling "Combi-sets", to form multiple enclosures still with IP66 ingress protection
- Mounting of TK enclosures is achieved in three different ways:
 - using screws under the cover screws: no hole in the main compartment of the enclosure is needed
 - using the embossed cut-outs in the base of the enclosure (sealing caps provided with each enclosure)
 - using optional plastic external brackets
- Accessories include hinges, partition walls, mounting plates, DIN rails, glands and adapters
- **Custom service:** custom attachment points with ultrasound welding, EMC coatings, special colours
- **Operating Temperature:** PC: -35 to 60°C, max 80°C
PS: -25 to 35°C, max 40°C
- **Ingress Protection:** Up to IP66 (EN 60529; VDE 0470-1)
- **NEMA rating:** 4X, 12/12K
- **PS Impact Resistance:** IK07
- **PC Impact Resistance:** IK08
- **Material TK-PS:** Polystyrene
- **Material TK-PC:** Polycarbonate (UL 94 V-2)
- **Sealing material:** CFC-free Polyurethane
- **Approvals TK-PC:** cULus (E254144), VDE





TK Enclosure Accessories (Order by Part No.)

Part No.	Model	Description	Use with
SP195-055	TK MPI-55	Plastic mounting plate kit	TK PC 55
SP195-075	TK MPI-75	Plastic mounting plate kit	TK PC 75
SP195-001	TK MPI-77	Plastic mounting plate	PS77 / PC77 + ALS 99
SP195-002	TK MPI-97	Plastic mounting plate	PS97 / PC97
SP195-003	TK MPI-99	Plastic mounting plate	PS99 / PC99 + ALS 1212
SP195-004	TK MPI-1111	Plastic mounting plate	PS1111 / PC1111 + ALS 1414
SP195-009	TK MPI-1309	Plastic mounting plate	PS1309 / PC1309
SP195-005	TK MPI-1313	Plastic mounting plate	PS1313 / PC1313 + ALS 1515
SP195-010	TK MPI-1809	Plastic mounting plate	PS1809 / PC1809
SP195-006	TK MPI-1811	Plastic mounting plate	PS1811 / PC1811 + ALS 2011
SP195-011	TK MPI-1813	Plastic mounting plate	PS1813 / PC1813
SP195-007	TK MPI-1818	Plastic mounting plate	PS1818 / PC1818 + ALS 2020
SP195-008	TK MPI-2518	Plastic mounting plate	PS2518 / PC2518 + ALS 2720
SP195-012	TK MPI-3625	Plastic mounting plate	PS3625 / PC3625 + ALS 3927
SP197-001	TK MPS-77	Steel mounting plate	PS77 / PC77 + ALS 99
SP197-002	TK MPS-97	Steel mounting plate	PS97 / PC97
SP197-003	TK MPS-99	Steel mounting plate	PS99 / PC99 + ALS 1212
SP197-004	TK MPS-1111	Steel mounting plate	PS1111 / PC1111 + ALS 1414
SP197-009	TK MPS-1309	Steel mounting plate	PS1309 / PC1309
SP197-005	TK MPS-1313	Steel mounting plate	PS1313 / PC1313 + ALS 1515
SP197-010	TK MPS-1809	Steel mounting plate	PS1809 / PC1809
SP197-006	TK MPS-1811	Steel mounting plate	PS1811 / PC1811 + ALS 2011
SP197-011	TK MPS-1813	Steel mounting plate	PS1813 / PC1813
SP197-007	TK MPS-1818	Steel mounting plate	PS1818 / PC1818 + ALS 2020
SP197-008	TK MPS-2518	Steel mounting plate	PS2518 / PC2518 + ALS 2720
SP197-012	TK MPS-3625	Steel mounting plate	PS3625 / PC3625 + ALS 3927
SP190-001	HBA	Knurled wingnuts for plastic screws	All types except TK 1005
SP190-002	ASS-kl	Hinge set (small)	PS/PC77 to PS/PC1809
SP190-005	ASS-gro	Hinge set (large)	PS/PC1811 to PS/PC3625
SP190-010	TK DS-ku/g	Replacement TK screw, short	Depth 6
SP190-011	TK DS-lg/g	Replacement TK screw, long	Depth 8 to 16
SP196-009	TK TW-n	Partition wall; 2 x 88 x 49 mm	PS/PC1309-6 or PS/PC1809-6
SP196-909	TK TW-h	Partition wall; 2 x 88 x 73 mm	PS/PC1309-8 or PS/PC1809-8
SP192-018	TK KS GRO	Combi-set	PS/PC 1811
SP194-001	TK ABL	Wall mount brackets (4)	All types

Information subject to change without notice



SP190-008 TK MPI-2518



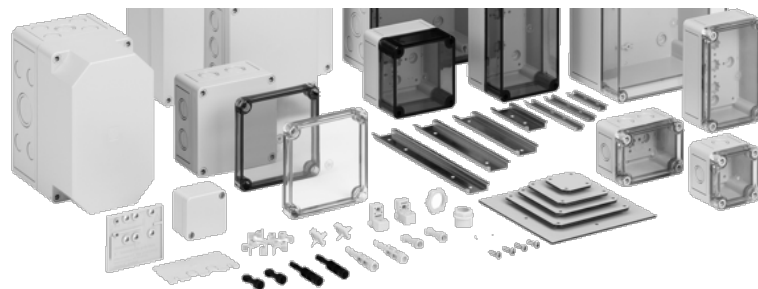
SP190-002 ASS-kl



SP195-055 TK MPI-75



SP194-001 TK ABL





TK-PS General Purpose Enclosures with transparent cover (Order by Part No.)

External dimensions (mm)			Int'l D* (mm)	Smooth side walls		Metric knock-outs		External Dimensions (in)			Int'l D* (in)
H	W	D		Part No.	Model	Part No.	Model	H	W	D	
65	65	57	45	SP111-001	PS77-6 t-o	SP106-001	PS77-6-t-m	2.56	2.56	2.24	1.77
65	65	81	69	SP111-501	PS77-8 t-o	SP106-501	PS77-8-t-m	2.56	2.56	3.19	2.72
94	65	57	45	SP111-002	PS97-6 t-o	SP106-002	PS97-6-t-m	3.70	2.56	2.24	1.77
94	65	81	69	SP111-502	PS97-8 t-o	SP106-502	PS97-8-t-m	3.70	2.56	3.19	2.72
94	94	57	45	SP111-003	PS99-6 t-o	SP106-003	PS99-6-t-m	3.70	3.70	2.24	1.77
94	94	81	69	SP111-503	PS99-8 t-o	SP106-503	PS99-8-t-m	3.70	3.70	3.19	2.72
110	110	66	54	SP111-004	PS1111-7 t-o	SP106-004	PS1111-7-t-m	4.33	4.33	2.60	2.13
110	110	90	78	SP111-504	PS1111-9 t-o	SP106-504	PS1111-9-t-m	4.33	4.33	3.54	3.07
130	94	57	45	SP111-009	PS1309-6 t-o	SP106-009	PS1309-6-t-m	5.12	3.70	2.24	1.77
130	94	81	69	SP111-509	PS1309-8 t-o	SP106-509	PS1309-8-t-m	5.12	3.70	3.19	2.72
130	130	75	63	SP111-005	PS1313-7 t-o	SP106-005	PS1313-7-t-m	5.12	5.12	2.95	2.48
130	130	99	87	SP111-505	PS1313-10 t-o	SP106-505	PS1313-10-t-m	5.12	5.12	3.90	3.43
180	94	57	45	SP111-010	PS1809-6 t-o	SP106-010	PS1809-6-t-m	7.09	3.70	2.24	1.77
180	94	81	69	SP111-510	PS1809-8 t-o	SP106-510	PS1809-8-t-m	7.09	3.70	3.19	2.72
180	110	90	75	SP111-006	PS1811-9 t-o	SP106-006	PS1811-9-t-m	7.09	4.33	3.54	2.95
180	110	111	96	SP111-506	PS1811-11 t-o	SP106-506	PS1811-11-t-m	7.09	4.33	4.37	3.78
180	110	165	151	SP112-006	PS1811-16 t-o	SP107-006	PS1811-16-t-m	7.09	4.33	6.50	5.94
180	130	63	48		—	SP106-015	PS1813-6f-t-m	7.09	5.12	2.48	1.89
180	130	84	69		—	SP106-515	PS1813-8f-t-m	7.09	5.12	3.31	2.72
180	130	111	97	SP111-516	PS1813-11-t-o	SP106-516	PS1813-11-t-m	7.09	5.12	4.37	4.37
180	130	137	123	SP112-015	PS1813-13f-t-o	SP107-015	PS1813-13f-t-m	7.09	5.12	5.39	4.84
180	130	165	150	SP112-016	PS1813-16-t-o	SP107-016	PS1813-16-t-m	7.09	5.12	6.50	5.91
182	180	90	75	SP111-007	PS1818-9 t-o	SP106-007	PS1818-9-t-m	7.17	7.09	3.54	2.95
182	180	111	97	SP111-507	PS1818-11 t-o	SP106-507	PS1818-11-t-m	7.17	7.09	4.37	3.82
182	180	165	151	SP112-007	PS1818-16 t-o	SP107-007	PS1818-16-t-m	7.17	7.09	6.50	5.94
254	180	63	48	SP111-011	PS2518f-t-o	SP106-011	PS2518-6f-t-m	10.00	7.09	6.50	1.89
254	180	84	70		—	SP106-511	PS2518-8f-t-m	10.00	7.09	3.31	2.76
254	180	90	75	SP111-008	PS2518-9 t-o	SP106-008	PS2518-9-t-m	10.00	7.09	3.54	2.95
254	180	111	97	SP111-508	PS2518-11 t-o	SP106-508	PS2518-11-t-m	10.00	7.09	4.37	3.82
254	180	137	123.5		—	SP107-011	PS2518-13f-tm	10.00	7.09	5.39	4.86
254	180	165	151	SP112-008	PS2518-16 t-o	SP107-008	PS2518-16-t-m	10.00	7.09	6.50	5.94
360	254	111	97	SP111-012	PS3625-11 t-o	SP106-012	PS3625-11-t-m	14.17	10.00	4.37	3.82
360	254	165	150	SP111-512	PS3625-16 t-o	SP106-512	PS3625-16-t-m	14.17	10.00	6.50	5.91

Information subject to change without notice

* Internal depth measured from the top of internal mounting supports to inside of cover



TK-PS General Purpose Enclosures with solid grey cover (Order by Part No.)

External dimensions (mm)			Int'l D* (mm)	Smooth side walls		Metric knock-outs on walls		External Dimensions (in)			Int'l D* (in)
H	W	D		Part No.	Model	Part No.	Model	H	W	D	
52	50	35	24.5	-		SP105-455	PS55-4-m	2.05	1.97	1.38	0.96
65	65	57	45	SP110-401	PS77-6-o	SP105-401	PS77-6-m	2.56	2.56	2.24	1.77
65	65	81	69	SP110-901	PS77-8-o	SP105-901	PS77-8-m	2.56	2.56	3.19	2.72
94	65	57	45	SP110-402	PS97-6-o	SP105-402	PS97-6-m	3.70	2.56	2.24	1.77
94	65	81	69	SP110-902	PS97-8-o	SP105-902	PS97-8-m	3.70	2.56	3.19	2.72
94	94	57	45	SP110-403	PS99-6-o	SP105-403	PS99-6-m	3.70	3.70	2.24	1.77
94	94	81	69	SP110-903	PS99-8-o	SP105-903	PS99-8-m	3.70	3.70	3.19	2.72
110	110	66	54	SP110-404	PS1111-7-o	SP105-404	PS1111-7-m	4.33	4.33	2.60	2.13
110	110	90	78	SP110-904	PS1111-9-o	SP105-904	PS1111-9-m	4.33	4.33	3.54	3.07
130	94	57	45	SP110-409	PS1309-6-o	SP105-409	PS1309-6-m	5.12	3.70	2.24	1.77
130	94	81	69	SP110-909	PS1309-8-o	SP105-909	PS1309-8-m	5.12	3.70	3.19	2.72
130	130	75	63	SP110-405	PS1313-7-o	SP105-405	PS1313-7-m	5.12	5.12	2.95	2.48
130	130	99	87	SP110-905	PS1313-10-o	SP105-905	PS1313-10-m	5.12	5.12	3.90	3.43
180	94	57	45	SP110-410	PS1809-6-o	SP105-410	PS1809-6-m	7.09	3.70	2.24	1.77
180	94	81	69	SP110-910	PS1809-8-o	SP105-910	PS1809-8-m	7.09	3.70	3.19	2.72
180	110	90	75	SP110-406	PS1811-9-o	SP105-406	PS1811-9-m	7.09	4.33	3.54	2.95
180	110	111	96	SP110-906	PS1811-11-o	SP105-906	PS1811-11-m	7.09	4.33	4.37	3.78
180	110	165	151	SP109-406	PS1811-16-o	SP104-406	PS1811-16-m	7.09	4.33	6.50	5.94
180	130	63	48	SP105-415	PS1813-6f-o	SP110-415	PS1813-6f-m	7.09	5.12	2.48	1.89
180	130	84	69	SP106-515	PS1813-8f-o	SP111-515	PS1813-8f-m	7.09	5.12	3.31	2.72
180	130	111	97	SP105-916	PS1813-11-o	SP110-916	PS1813-11-m	7.09	5.12	4.37	4.37
180	130	137	123	SP107-015	PS1813-13f-o	SP112-015	PS1813-13f-m	7.09	5.12	5.39	4.84
180	130	165	150	SP107-016	PS1813-16-o	SP112-016	PS1813-16-m	7.09	5.12	6.50	5.91
182	180	90	75	SP110-407	PS1818-9-o	SP105-407	PS1818-9-m	7.17	7.09	3.54	2.95
182	180	111	97	SP110-907	PS1818-11-o	SP105-907	PS1818-11-m	7.17	7.09	4.37	3.82
182	180	165	151	SP109-407	PS1818-16-o	SP104-407	PS1818-16-m	7.17	7.09	6.50	5.94
254	180	63	48	-		SP105-411	PS2518-6f-m	10.00	7.09	2.48	1.89
254	180	84	70	-		SP105-911	PS2518-8f-m	10.00	7.09	3.31	2.76
254	180	90	75	SP110-408	PS2518-9-o	SP105-408	PS2518-9-m	10.00	7.09	3.54	2.95
254	180	111	97	SP110-908	PS2518-11-o	SP105-908	PS2518-11-m	10.00	7.09	4.37	3.82
254	180	137	123.5	-		SP104-411	PS2518-13f-m	10.00	7.09	5.39	4.86
254	180	165	151	SP109-408	PS2518-16-o	SP104-408	PS2518-16-m	10.00	7.09	6.50	5.94
360	254	111	97	SP110-412	PS3625-11-o	SP105-412	PS3625-11-m	14.17	10.00	4.37	3.82
360	254	165	150	SP110-912	PS3625-16-o	SP105-912	PS3625-16-m	14.17	10.00	6.50	5.91

Information subject to change without notice

* Internal depth measured from the top of internal mounting supports to inside of cover



TK-PC General Purpose Enclosures with transparent cover (Order by Part No.)

External dimensions (mm)			Int'l D * (mm)	Smooth side walls		Metric knock-outs		External dimensions (in)			Int'l D * (in)
H	W	D		Part No.	Model	Part No.	Model	H	W	D	
52	50	35	24.5	SP130-455	PC55-4t-o	SP137-455	PC55-4-t-m	2.05	1.97	1.38	0.96
65	50	35	24.5	SP130-475	PC75-4 t-o	SP137-475	PC75-4-t-m	2.56	1.97	1.38	0.96
65	65	57	45	SP130-001	PC77-6 t-o	SP137-001	PC77-6-t-m	2.56	2.56	2.24	1.77
65	65	81	69		–	SP137-501	PC77-8-t-m	2.56	2.56	3.19	2.72
94	65	57	45	SP130-002	PC97-6 t-o	SP137-002	PC97-6-t-m	3.70	2.56	2.24	1.77
94	65	81	69		–	SP137-502	PC97-8-t-m	3.70	2.56	3.19	2.72
94	94	57	45		–	SP137-003	PC99-6-t-m	3.70	3.70	2.24	1.77
94	94	81	69	SP130-503	PC99-8 t-o	SP137-503	PC99-8-t-m	3.70	3.70	3.19	2.72
110	110	66	54	SP130-004	PC1111-7 t-o	SP137-004	PC1111-7-t-m	4.33	4.33	2.60	2.13
110	110	90	78		–	SP137-504	PC1111-9-t-m	4.33	4.33	3.54	3.07
130	94	57	45	SP130-009	PC1309-6 t-o	SP137-009	PC1309-6-t-m	5.12	3.70	2.24	1.77
130	94	81	69		–	SP137-509	PC1309-8-t-m	5.12	3.70	3.19	2.72
130	130	75	87		–	SP137-005	PC1313-7-t-m	5.12	5.12	2.95	2.48
130	130	99	45		–	SP137-505	PC1313-10-t-m	5.12	5.12	3.90	3.43
180	94	57	69		–	SP137-010	PC1809-6-t-m	7.09	3.70	2.24	1.77
180	94	81	69		–	SP137-510	PC1809-8-t-m	7.09	3.70	3.19	2.72
180	110	90	75	SP130-006	PC1811-9 t-o	SP137-006	PC1811-9-t-m	7.09	4.33	3.54	2.95
180	110	111	96		–	SP137-506	PC1811-11-t-m	7.09	4.33	4.37	3.78
180	110	165	151		–	SP138-006	PC1811-16-t-m	7.09	4.33	6.50	5.94
180	130	63	48		–	SP137-015	PC1813-6f-t-m	7.09	5.12	2.48	1.89
180	130	84	69		–	SP137-515	PC1813-8f-t-m	7.09	5.12	3.31	2.72
180	130	90	75		–	SP137-016	PC1813-9-t-m	7.09	5.12	3.54	2.95
180	130	111	97	SP130-516	PC1813-11-t-o	SP137-516	PC1813-11-t-m	7.09	5.12	4.37	4.37
180	130	137	123		–	SP138-015	PC1813-13f-t-m	7.09	5.12	5.39	4.84
180	130	165	150		–	SP138-016	PC1813-16-t-m	7.09	5.12	6.50	5.91
182	180	90	75	SP130-007	PC1818-9 t-o	SP137-007	PC1818-9-t-m	7.17	7.09	3.54	2.95
182	180	111	97	SP130-507	PC1818-11 t-o	SP137-507	PC1818-11-t-m	7.17	7.09	4.37	3.82
182	180	165	151		–	SP138-007	PC1818-16-t-m	7.17	7.09	6.50	5.94
254	180	63	48		–	SP137-011	PC2518-6f-t-m	10.00	7.09	6.50	1.89
254	180	84	70		–	SP137-511	PC2518-8f-t-m	10.00	7.09	3.31	2.76
254	180	90	75	SP130-008	PC2518-9 t-o	SP137-008	PC2518-9-t-m	10.00	7.09	3.54	2.95
254	180	111	97	SP130-508	PC2518-11 t-o	SP137-508	PC2518-11-t-m	10.00	7.09	4.37	3.82
254	180	137	123.5		–	SP138-011	PC2518-13f-t-m	10.00	7.09	5.39	4.86
254	180	165	151	SP131-008	PC2518-16 t-o	SP138-008	PC2518-16-t-m	10.00	7.09	6.50	5.94
360	254	111	97	SP130-012	PC3625-11 t-o	SP137-012	PC3625-11-t-m	14.17	10.00	4.37	3.82
360	254	165	150	SP130-512	PC3625-16 t-o	SP137-512	PC3625-16-t-m	14.17	10.00	6.50	5.91

Information subject to change without notice

* Internal depth measured from the top of internal mounting supports to inside of cover

**TK-PC General Purpose Enclosures with solid grey cover (Order by Part No.)**

External dimensions (mm)			Int'l D * (mm)	Smooth side walls		Metric knock-outs on walls		External dimensions (in)			Int'l D * (In)
H	W	D		Part No.	Model	Part No.	Model	H	W	D	
52	50	35	24.5	SP120-455	PC55-4-o	SP127-455	PC55-4-m	2.05	1.97	1.38	0.96
65	50	35	24.5	SP120-475	PC75-4-o	SP127-475	PC75-4-m	2.56	1.97	1.38	0.96
65	65	57	45	SP120-401	PC77-6-o	SP127-401	PC77-6-m	2.56	2.56	2.24	1.77
65	65	81	69	SP120-901	PC77-8-o	SP127-901	PC77-8-m	2.56	2.56	3.19	2.72
94	65	57	45	SP120-402	PC97-6-o	SP127-402	PC97-6-m	3.70	2.56	2.24	1.77
94	65	81	69	SP120-902	PC97-8-o	SP127-902	PC97-8-m	3.70	2.56	3.19	2.72
94	94	57	45	SP120-403	PC99-6-o	SP127-403	PC99-6-m	3.70	3.70	2.24	1.77
94	94	81	69	SP120-903	PC99-8-o	SP127-903	PC99-8-m	3.70	3.70	3.19	2.72
110	110	66	54	SP120-404	PC1111-7-o	SP127-404	PC1111-7-m	4.33	4.33	2.60	2.13
110	110	90	78	SP120-904	PC1111-9-o	SP127-904	PC1111-9-m	4.33	4.33	3.54	3.07
130	94	57	45	SP120-409	PC1309-6-o	SP127-409	PC1309-6-m	5.12	3.70	2.24	1.77
130	94	81	69	SP120-909	PC1309-8-o	SP127-909	PC1309-8-m	5.12	3.70	3.19	2.72
130	130	75	63	SP120-405	PC1313-7-o	SP127-405	PC1313-7-m	5.12	5.12	2.95	2.48
130	130	99	87	SP120-905	PC1313-10-o	SP127-905	PC1313-10-m	5.12	5.12	3.90	3.43
180	94	57	45	SP120-410	PC1809-6-o	SP127-410	PC1809-6-m	7.09	3.70	2.24	1.77
180	94	81	69	SP120-910	PC1809-8-o	SP127-910	PC1809-8-m	7.09	3.70	3.19	2.72
180	110	90	75	SP120-406	PC1811-9-o	SP127-406	PC1811-9-m	7.09	4.33	3.54	2.95
180	110	111	96	SP120-906	PC1811-11-o	SP127-906	PC1811-11-m	7.09	4.33	4.37	3.78
180	110	165	151	SP121-406	PC1811-16-o	SP128-406	PC1811-16-m	7.09	4.33	6.50	5.94
180	130	63	48	SP120-415	PC1813-6f-o	SP127-415	PC1813-6f-m	7.09	5.12	2.48	1.89
180	130	84	69	SP120-915	PC1813-8f-o	SP127-915	PC1813-8f-m	7.09	5.12	3.31	2.72
180	130	90	75	SP120-416	PC1813-9-o	SP127-416	PC1813-9-m	7.09	5.12	3.54	2.95
180	130	111	97	SP120-916	PC1813-11-o	SP127-916	PC1813-11-m	7.09	5.12	4.37	4.37
180	130	137	123	SP121-415	PC1813-13f-o	SP128-415	PC1813-13f-m	7.09	5.12	5.39	4.84
180	130	165	150	SP121-416	PC1813-16-o	SP128-416	PC1813-16-m	7.09	5.12	6.50	5.91
182	180	90	75	SP120-407	PC1818-9-o	SP127-407	PC1818-9-m	7.17	7.09	3.54	2.95
182	180	111	97	SP120-907	PC1818-11-o	SP127-907	PC1818-11-m	7.17	7.09	4.37	3.82
182	180	165	151	SP121-407	PC1818-16-o	SP128-407	PC1818-16-m	7.17	7.09	6.50	5.94
254	180	63	48	-		SP127-411	PC2518-6f-m	10.00	7.09	6.50	1.89
254	180	84	70	-		SP127-911	PC2518-8f-m	10.00	7.09	3.31	2.76
254	180	90	75	SP120-408	PC2518-9-o	SP127-408	PC2518-9-m	10.00	7.09	3.54	2.95
254	180	111	97	SP120-908	PC2518-11-o	SP127-908	PC2518-11-m	10.00	7.09	4.37	3.82
254	180	137	123.5	-		SP128-411	PC2518-13f-m	10.00	7.09	5.39	4.86
254	180	165	151	SP121-408	PC2518-16-o	SP128-908	PC2518-16-m	10.00	7.09	6.50	5.94
360	254	111	97	SP120-412	PC3625-11-o	SP127-412	PC3625-11-m	14.17	10.00	4.37	3.82
360	254	165	150	SP120-912	PC3625-16-o	SP127-912	PC3625-16-m	14.17	10.00	6.50	5.91

Information subject to change without notice

* Internal depth measured from the top of internal mounting supports to inside of cover

TG Polycarbonate Enclosures



The TG series of non-metallic enclosures are ideal for applications where components must be protected against corrosion, liquids, dust, impacts, or undue access. Applications include use in electrical distribution, industrial control, telecommunication, remote surveillance and automation.

Features and specifications:

- 16 different sizes
- Smooth side walls allow for a vast choice of drilling for cable glands or other devices
- Standard cover quarter-turn captive screws are outfitted with springs, to provide quick open and close operations
- Plastic tethers are included, and can be mounted at the cover screws and operate as practical, compact hinges
- Wall-mounted by screws under protective plugs or by screws under the cover fasteners, allowing mounting without affecting the IP rating
- Recess in the cover surface facilitates installing labels, printed films, keypads, etc...
- Custom engraving, application of printed colour film or silk-screening of cover is available
- Custom cutting or drilling of body or cover, electronic welding of supports for electronic components are available
- **Colours:** Grey (RAL 7035) - different colours are available upon request
- **Operating Temperature:** -35 to 60 °C, max 80 °C
- **Ingress Protection:** IP66/IP67
- **NEMA Rating:** 12
- **Impact resistance:** IK08
- **Material:** Fiberglass-reinforced Polycarbonate, UL 94-V2
- **Sealing material:** injected polyurethane
- **Approvals:** cULus (E254144); VDE



SP200-905 TG-PC 1212-9-0



SP201-513 TG-PC 3023-11-to



SP182-006 Tethers



¼ turn screws

TG Polycarbonate Enclosures (Order by Part No.)

External Dimensions (mm)			Int'l D * (mm)	Grey cover		Transparent cover		External Dimensions (in)			Int'l D * (in)
H	W	D		Part No.	Model	Part No.	Model	H	W	D	
84	82	55	39.7	SP200-403	TG-PC 88-6-o	SP201-003	TG-PC 88-6-to	3.31	3.23	2.17	1.56
84	82	85	69.7	SP200-903	TG-PC 88-9-o	SP201-503	TG-PC 88-9-to	3.31	3.23	3.35	2.74
122	82	55	39.7	SP200-404	TG-PC 1208-6-o	SP201-004	TG-PC 1208-6-to	4.80	3.23	2.17	1.56
122	82	85	69.7	SP200-904	TG-PC 1208-9-o	SP201-504	TG-PC 1208-9-to	4.80	3.23	3.35	2.74
124	122	55	39.7	SP200-405	TG-PC 1212-6-o	SP201-005	TG-PC 1212-6-to	4.88	4.80	2.17	1.56
124	122	85	69.7	SP200-905	TG-PC 1212-9-o	SP201-505	TG-PC 1212-9-to	4.88	4.80	3.35	2.74
162	82	55	39.7	SP200-406	TG-PC 1608-6-o	SP201-006	TG-PC 1608-6-to	6.38	3.23	2.17	1.56
162	82	85	69.7	SP200-906	TG-PC 1608-9-o	SP201-506	TG-PC 1608-9-to	6.38	3.23	3.35	2.74
162	122	90	74.7	SP200-407	TG-PC 1612-9-o	SP201-007	TG-PC 1612-9-to	6.38	4.80	3.54	2.94
202	122	75	59.7	SP200-408	TG-PC 2012-8-o	SP201-008	TG-PC 2012-8-to	7.95	4.80	2.95	2.35
202	122	90	74.7	SP200-908	TG-PC 2012-9-o	SP201-508	TG-PC 2012-9-to	7.95	4.80	3.54	2.94
202	152	90	74.7	SP200-409	TG-PC 2015-9-o	SP201-009	TG-PC 2015-9-to	7.95	5.98	3.54	2.94
252	162	90	74.7	SP200-412	TG-PC 2516-9-o	SP201-012	TG-PC 2516-9-to	9.92	6.38	3.54	2.94
252	162	120	104.7	SP200-912	TG-PC 2516-12-o	SP201-512	TG-PC 2516-12-to	9.92	6.38	4.72	4.12
302	232	90	74.7	SP200-413	TG-PC 3023-9-o	SP201-013	TG-PC 3023-9-to	11.89	9.13	3.54	2.94
302	232	110	94.7	SP200-913	TG-PC 3023-11-o	SP201-513	TG-PC 3023-11-to	11.89	9.13	4.33	3.73

Information subject to change without notice

* Internal depth measured from the top of internal mounting supports to inside of cover

TG Enclosure Accessories (Order by Part No.)

Part No.	Model	Description	Use with	Dimensions (in)
SP186-003	TG MPI-88	Plastic mounting plate 73 x 53 x 2.5mm	TG-PC 88	2.87x2.09x0.1
SP186-004	TG MPI-1208	Plastic mounting plate 91 x 73 x 2.5mm	TG-PC 1208	3.58x2.87x0.1
SP186-006	TG MPI-1608	Plastic mounting plate 131 x 73 x 2.5mm	TG-PC 1608	5.16x2.87x0.1
SP186-007	TG MPI-1612	Plastic mounting plate 131 x 113 x 2.5mm	TG-PC 1612	5.16x4.45x0.1
SP186-008	TG MPI-2012	Plastic mounting plate 171 x 113 x 2.5mm	TG-PC 2012	6.73x4.45x0.1
SP186-009	TG MPI-2015	Plastic mounting plate 171 x 143 x 2.5mm	TG-PC 2015	6.73x5.63x0.1
SP186-012	TG MPI-2516	Plastic mounting plate 220 x 152 x 2.5mm	TG-PC 2516	8.66x5.98x0.1
SP186-013	TG MPI-3023	Plastic mounting plate 270 x 222 x 2.5mm	TG-PC 3023	10.63x8.74x0.1
SP187-003	TG MPS-88	Steel mounting plate 73 x 53 x 2.0mm	TG-PC 88	2.87x2.09x0.08
SP187-004	TG MPS-1208	Steel mounting plate 91 x 73 x 2.0mm	TG-PC 1208	3.58x2.87x0.08
SP187-006	TG MPS-1608	Steel mounting plate 131 x 73 x 2.0mm	TG-PC 1608	5.16x2.87x0.08
SP187-007	TG MPS-1612	Steel mounting plate 131 x 113 x 2.0mm	TG-PC 1612	5.16x4.45x0.08
SP187-008	TG MPS-2012	Steel mounting plate 171 x 113 x 2.0mm	TG-PC 2012	6.73x4.45x0.08
SP187-009	TG MPS-2015	Steel mounting plate 171 x 143 x 2.0mm	TG-PC 2015	6.73x5.63x0.08
SP187-012	TG MPS-2516	Steel mounting plate 220 x 152 x 2.0mm	TG-PC 2516	8.66x5.98x0.08
SP187-013	TG MPS-3023	Steel mounting plate 270 x 222 x 2.0mm	TG-PC 3023	10.63x8.74x0.08
SP182-001	TG ISS	Internal hinge set	TG-PC 1612 to 3023	—
SP182-002	TG ABL	External mounting brackets (set of 4)	All TG-PC	—
SP182-004	TG PST1	Sealing set (1 screw+1 seal)	TG-PC 88 to 1608	—
SP182-005	TG PST2	Sealing set (1 screw+1 seal)	TG-PC 1612 to 3023	—
SP182-006	TG DVS-42	Replacement tether small	TG-PC 88 to to 1608	—
SP182-007	TG DVS-57	Replacement tether large	TG-PC 1612 to 3023	—
—	—	Pre-cut TS35 DIN Rail	Please inquire	—

Information subject to change without notice

GEOS Outdoor Enclosures & Cabinets



High quality materials and an innovative design make the GEOS series a universal solution for indoor and outdoor applications. The UV and weather resistance of the high-quality fiberglass-reinforced polycarbonate and the innovative 'Drain Protect' seal system guarantee optimal protection against most environmental effects, such as rain and fluctuating temperatures. Even in tough conditions caused by aggressive atmospheres, oils, or mechanical stresses, you can rely on the GEOS enclosures and cabinets.

GEOS applications include water and utility management, renewable energies, monitoring and access technology, agricultural operating facilities, traffic engineering, construction of control systems and electric mobility/infrastructure.

Features and specifications:

- Tool free, fast assembly
- **3 base sizes:**
 - 300 x 300mm (HxW)
 - 400 x 300mm (HxW)
 - 500 x 400mm (HxW)
- **2 enclosure depths:** 180 and 226mm
- **Multiple Mounting options:** mounting outside the sealed area or via keyhole mounting
- **Multiple Closure systems options:** screw closures, quick-release or triangle-head screws

- **Materials, body & grey or black cover:** Fibreglass-reinforced polycarbonate; flame retardant (UL-94 V2)
- **Materials, transparent cover:** polycarbonate; flame retardant (UL-94 V2)
- **Sealing materials:** Silicone
- **Colours:** Grey (RAL 7035) or Black (RAL 9005)
- **Impact resistance:** IK 09
- **Ingress Protection:** IP66 / IP67
- **NEMA rating:** 4X, 12/12k
- **Approvals:** cULus (CSA 22.2 94.1-15, UL 50, UL 50E), DNV, DLG



GEOS-L Enclosures

Tough

Weather-resistant in all weathers

The GEOS series is produced from high-grade polycarbonate. This allows the outdoor enclosures to resist certain chemicals, provides for high UV and weather-resistance and braves extreme temperatures.

The enclosures are designed in a way that they are corrosion-proof and withstand high impact energy as per IK09. Therefore, your components are always perfectly protected.

- Waterproof - IP 66/67 - NEMA 4X, 12
- UV resistant & Weatherproof
- Corrosion resistant & Temperature resistant
- Chemical resistant

Flexible

The right choice for any industrial and outdoor application

Due to its flexibility, the GEOS enclosures can be adapted quickly and easily. By means of the extendable, functional installation system you will save time for the configuration of your components.

Functional installation system

Increased efficiency due to the functional installation system for tool-free installation of the mounting brackets with different possible installation heights.



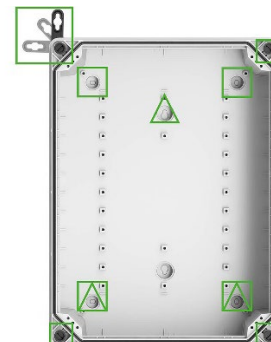
Extendable at any time

The GEOS housings have a system-oriented design. Amongst other things it is possible to slide-in pre-assembled components. This increases the flexibility.



Various mounting possibilities

The GEOS enclosures offer three-point mounting, mounting inside or outside the sealing area, as well as optional external fasteners.





GEOS L enclosures (Order by Part No.)

External dimensions (mm)			GREY				BLACK			
			Grey cover		Transparent cover		Black cover		Transparent cover	
H	W	D	Part No.	Model	Part No.	Model	Part No.	Model	Part No.	Model
300	300	180	SP700-433	GEOS-L 3030-18-o	SP701-433	GEOS-L 3030-18-to	SP742-433	GEOS-L 3030-18-o/sw	SP741-433	GEOS-L 3030-18-to/sw
300	300	226	SP700-733	GEOS-L 3030-22-o	SP701-733	GEOS-L 3030-22-to	SP742-733	GEOS-L 3030-22-o/sw	SP741-733	GEOS-L 3030-22-to/sw
300	400	180	SP700-434	GEOS-L 3040-18-o	SP701-434	GEOS-L 3040-18-to	SP742-434	GEOS-L 3040-18-o/sw	SP741-434	GEOS-L 3040-18-to/sw
300	400	226	SP700-734	GEOS-L 3040-22-o	SP701-734	GEOS-L 3040-22-to	SP742-734	GEOS-L 3040-22-o/sw	SP741-734	GEOS-L 3040-22-to/sw
400	500	226	SP700-745	GEOS-L 4050-22-o	SP701-745	GEOS-L 4050-22-to	SP742-745	GEOS-L 4050-22-o/sw	SP741-745	GEOS-L 4050-22-to/sw

Information subject to change without notice
All GEOS-L models ship with a cover screw set



70043301 GEOS-L 3030-18-o

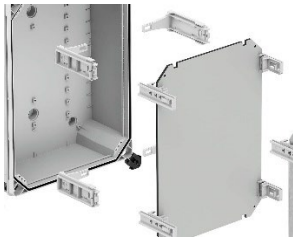


SP741-734 GEOS-L 3040-22-to/sw



SP 701-745 GEOS-L 4050-22-to

GEOS Features



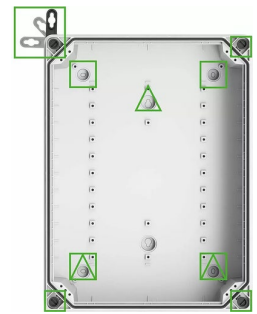
Simple installation



Mounting points in the cover



Easy quick-close screws



Flexible mounting options

A comprehensive online tool makes configuring your final GEOS cabinet or enclosure with all possible accessories and customizations. **GEOS online configurator:**
<https://configurator.spelsberg.com/spelsberg/html/#/home?lang=en>



GEOS-L/S Accessories (Order by Part No.)

Part No.	Model	Description	Use with
SP720-003	GEOS MPI-3030	Plastic mounting plate; 250 x 250 x 5mm	GEOS-L/S 3030-18 to 22
SP720-004	GEOS MPI-3040	Plastic mounting plate; 250 x 350 x 5mm	GEOS-L/S 3040-18 to 22, GEOS-S 4030-18 to 22
SP720-005	GEOS MPI-4050	Plastic mounting plate; 350 x 450 x 5mm	GEOS-L/S 4050-22, GEOS-S 5040-22
SP720-013	GEOS MPS-3030	Steel mounting plate; 250 x 250 x 5mm	GEOS-L/S 3030-18 to 22
SP720-014	GEOS MPS-3040	Steel mounting plate; 250 x 350 x 5mm	GEOS-L/S 3040-18 to 22, GEOS-S 4030-18 to 22
SP720-015	GEOS MPS-4050	Steel mounting plate; 350 x 450 x 5mm	GEOS-L/S 4050-22, GEOS-S 5040-22
SP720-020	GEOS ABL-10	External mounting brackets (4); 10mm	GEOS-L/S
SP720-021	GEOS ABL-40	External mounting brackets (4); 40mm	GEOS-L/S
SP720-075	GEOS ABL-10/ES	External mounting brackets SS (4); 10mm	GEOS-L/S
SP720-076	GEOS ABL-40/ES	External mounting brackets SS (4); 40mm	GEOS-L/S
SP720-022	GEOS MH-18	Spacer for mounting DIN Rail, plastic, H=20mm	GEOS-L/S - 18
SP720-023	GEOS MH-22	Spacer for mounting DIN Rail, plastic, H=64mm	GEOS-L/S - 22
SP721-013	GEOS-L EP-3030	Plastic installation board; 276 x 276 x 4mm	GEOS-L 3030-18 to 22
SP721-014	GEOS-L EP-3040	Plastic installation board; 276 x 376 x 4mm	GEOS-L 3040-18 to 22
SP721-015	GEOS-L EP-4050	Plastic installation board; 376 x 476 x 4mm	GEOS-L 4050-22
SP721-016	GEOS-L EPD-3030	Plastic installation board; 276 x 276 x 4mm	GEOS-L 3030-18 to 22 - inside cover
SP721-017	GEOS-L EPD-3040	Plastic installation board; 276 x 376 x 4mm	GEOS-L 3040-18 to 22 - inside cover
SP721-018	GEOS-L EPD-4050	Plastic installation board; 376 x 476 x 4mm	GEOS-L 4050-22 - inside cover
SP721-040	GEOS-L DS	Replacement Cover screw set (4)	GEOS-L 3030, GEOS-L 3040
SP721-041	GEOS-L 4050 DS	Replacement Cover screw set (4+2)	GEOS-L 4050
SP720-062	GEOS TGS 3040-2	Support frame with 2 DIN rails	GEOS-L/S 3040
SP720-064	GEOS TGS 4050-3	Support frame with 3 DIN rails	GEOS-L/S 4050
SP720-065	GEOS TGS 4050-2	Support frame with 2 DIN rails	GEOS-L/S 4050
SP720-072	GEOS TGS NS35/15 3040-2	Support frame with 2 DIN rails	GEOS-L/S 3040
SP720-074	GEOS TGS NS35/15 4050-3	Support frame with 3 DIN rails	GEOS-L/S 4050
SP721-032	GEOS-L TW 30-18	Partition wall with carriers; 270 x 110 x 2.5mm	GEOS-L 3030-18, GEOS-L 3040-18
SP720-040	SRS 60-90	Screw Clamp set (2); for masts 60-90mm	GEOS-L/S
SP720-041	SRS 90-150	Screw Clamp set (2); for masts 90-150mm	GEOS-L/S
SP720-042	SRS 150-210	Screw Clamp set (2); for masts 150-210mm	GEOS-L/S
SP720-050	GEOS MSS-30	Mast Clamp set; 35 x 300 x 40.5 mm	GEOS-L/S 3030-18 to 22
SP720-051	GEOS MSS-40	Mast Clamp set; 35 x 400 x 40.5 mm	GEOS-L/S 3040-18 to 22, GEOS-S 4030-18 to 22
SP720-052	GEOS MSS-50	Mast Clamp set; 35 x 500 x 40.5 mm	GEOS-L/S 4050-22, GEOS-S 5040-22
SP263-440	BEL Air M40	BEL-Air ventilation M40 set (2)	GEOS-L/S

Information subject to change without notice



SP720-022 GEOS MH-18



SP720-062 GEOS TGS 3040-2



SP720-021 GEOS ABL-40



SP720-051 GEOS MSS-40

GEOS-S Cabinets

The new GEOS-S series offers all the advantages of the GEOS series such as the flexible modular system, test certificates also for international markets and robust material. Furthermore, they provide additional protection for the electrical and electronic components even in adverse environments, for example in industrial and outdoor installations. The cabinets are designed to be particularly user-friendly.

The enclosure doors of the new GEOS-S cabinets from Spelsberg are available in grey, black or transparent design. The transparent door allows displays to be read while control and signalling devices remain protected without affecting the technical properties. Otherwise, usual re-working, e.g. for the installation of a viewing window, is thus completely unnecessary. Thanks to their large opening angle of more than 180°, the doors ensure unrestricted work on the open enclosure and good operability at the same time.

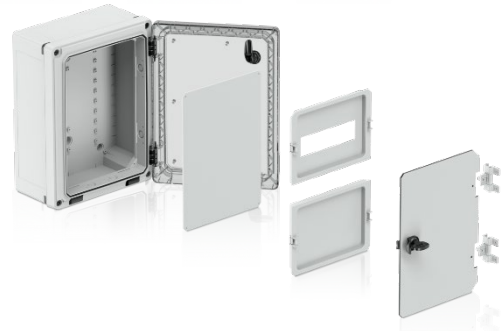
- Locking system - cam lock or pivoted lever
- Fastening options outside the sealing area
- No restriction on the installation of internals
- Doors allow easy opening with a large opening angle of >180°
- Door hinges can be moved 180° without drilling



New accessories

The cabinets of the GEOS-S series can be retrofitted with the range of accessories from Spelsberg. For example, mounting plates in various sizes, standard rails and support frames are available for installing control or signaling devices. If the enclosure is to be subdivided, the partition walls are suitable for this purpose.

- Built-in modules protected against contact: can be mounted without tools and are tamper-proof
- Frame + door as a single assembly
- Cabinet door stop prevents unintentional closing of the door with two fixed positions
- Door contact switches can be integrated in the frame and can be used for remote enquiries
- LED interior lighting can be integrated into the frame to illuminate the installation space
- Quick-change system for mounting rail frame and mounting plate
- Different depths possible for different sizes of switchgear and built-in devices



And the GEOS-S can do so much more!

The cabinets are just as flexible and safe as the empty enclosures. They are prepared for the innovative ventilation element BEL Air. These elements remove any condensate that occurs out of the enclosure in the shortest possible time by means of air exchange. Thereby an IP rating of IP65 is preserved. The doors are lockable for increased security and prevent unauthorised opening. The cam lock mechanism does not require any additional grounding or sealing of active parts.

- Cam lock as a cost-effective locking system with various locking inserts
- Pivot lever for more comfort and safety with an optional built-in lock
- Transparent doors for a clear view of installed devices
- Mounting points in the door for flexible installation of internal mounting plates
- Suitable for horizontal and vertical mounting
- Door/frame combination can be easily removed for easier and faster installation of fasteners

GEOS S Cabinets (Order by Part No.)

External dimensions (mm)			GREY				BLACK			
			Grey cover		Transparent cover		Black cover		Transparent cover	
H	W	D	Part No.	Model	Part No.	Model	Part No.	Model	Part No.	Model
300	300	180	SP710-433	GEOS-S 3030-18-o	SP711-433	GEOS-S 3030-18-to	SP750-433	GEOS-S 3030-18-o/sw	SP751-433	GEOS-S 3030-18-to/sw
300	300	226	SP710-733	GEOS-S 3030-22-o	SP711-733	GEOS-S 3030-22-to	SP750-733	GEOS-S 3030-22-o/sw	SP751-733	GEOS-S 3030-22-to/sw
300	400	180	SP710-434	GEOS-S 3040-18-o	SP711-434	GEOS-S 3040-18-to	SP750-434	GEOS-S 3040-18-o/sw	SP751-434	GEOS-S 3040-18-to/sw
300	400	180	SP720-434^	GEOS-S 3040-18-o/SH	SP721-434^	GEOS-S 3040-18-to/SH	SP760-434^	GEOS-S 3040-18-o/SH/sw	SP761-434^	GEOS-S 3040-18-to/SH/sw
300	400	226	SP710-734	GEOS-S 3040-22-o	SP711-734	GEOS-S 3040-22-to	SP750-734	GEOS-S 3040-22-o/sw	SP751-734	GEOS-S 3040-22-to/sw
400	300	180	SP710-443	GEOS-S 4030-18-o	SP711-443	GEOS-S 4030-18-to	SP750-443	GEOS-S 4030-18-o/sw	SP751-443	GEOS-S 4030-18-to/sw
400	300	226	SP710-743	GEOS-S 4030-22-o	SP711-743	GEOS-S 4030-22-to	SP750-743	GEOS-S 4030-22-o/sw	SP751-743	GEOS-S 4030-22-to/sw
400	500	226	SP710-745	GEOS-S 4050-22-o	SP711-745	GEOS-S 4050-22-to	SP750-745	GEOS-S 4050-22-o/sw	SP751-745	GEOS-S 4050-22-to/sw
400	500	226	SP720-745^	GEOS-S 4050-22-o/SH	SP721-745^	GEOS-S 4050-22-to/SH	SP760-745^	GEOS-S 4050-22-o/SH/sw	SP761-745^	GEOS-S 4050-22-to/SH/sw
500	400	226	SP710-754	GEOS-S 5040-22-o	SP711-754	GEOS-S 5040-22-to	SP750-754	GEOS-S 5040-22-o/sw	SP751-754	GEOS-S 5040-22-to/sw

Information subject to change without notice

- Hinge is located along the "W" dimension

All GEOS-S Cabinets ship with a cover screw set

^SH models with swivel lever closure; not cULus approved

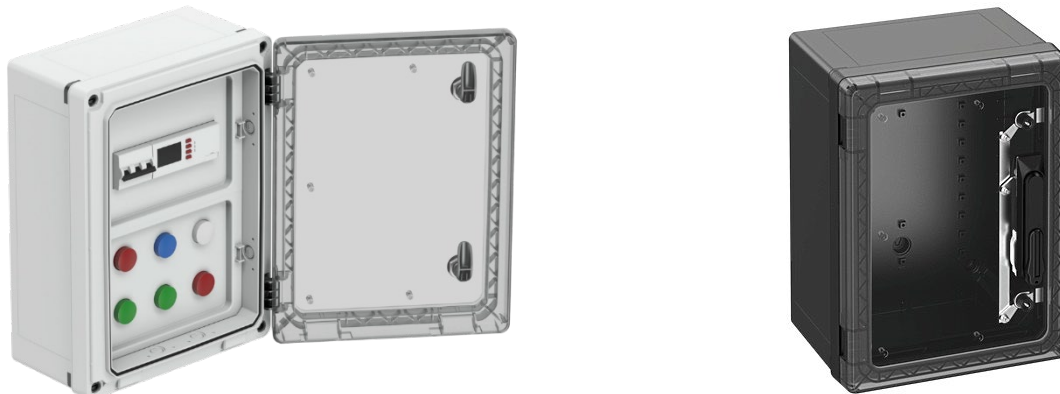
Non-swivel lever models ship with the SP722-050 twist lock set



SP711-443 GEOS-S 4030-18-to

SP720-745 GEOS-S 4050-22-o/SH

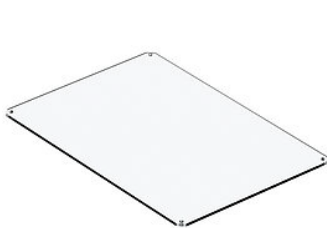
SP751-754 GEOS-S 5040-22-to/sw



GEOS-S Accessories (Order by Part No.)

Part No.	Model	Description	Use with
SP722-013	GEOS-S EPR 3030	Plastic interior mounting plate; 231 x 231 x 4mm	GEOS-S 3030-18 to 22
SP722-014	GEOS-S EPR 3040/4030	Plastic interior mounting plate; 231 x 331 x 4mm	GEOS-S 3040-18 to 22, GEOS-S 4030-18 to 22
SP722-015	GEOS-S EPR 4050/5040	Plastic interior mounting plate; 331 x 431 x 4mm	GEOS-S 4050-22, GEOS-S 5040-22
SP722-103	GEOS-S EPR-t 3030	Clear interior mounting plate; 231 x 231 x 4mm	GEOS-S 3030-18 to 22
SP722-104	GEOS-S EPR-t 3040/4030	Clear interior mounting plate; 231 x 331 x 4mm	GEOS-S 3040-18 to 22, GEOS-S 4030-18 to 22
SP722-105	GEOS-S EPR-t 4050/5040	Clear interior mounting plate; 331 x 431 x 4mm	GEOS-S 4050-22, GEOS-S 5040-22
SP722-003	GEOS-S IT 3030	Plastic internal door; includes hardware	GEOS-S 3030
SP722-004	GEOS-S IT 3040	Plastic internal door; includes hardware	GEOS-S 3040
SP722-005	GEOS-S IT 4030	Plastic internal door; includes hardware	GEOS-S 4030
SP722-006	GEOS-S IT 4050	Plastic internal door; includes hardware	GEOS-S 4050
SP722-007	GEOS-S IT 5040	Plastic internal door; includes hardware	GEOS-S 5040
SP722-032	GEOS-S TW 30-18	Partition wall kit; 108 x 270 x 2.5mm	GEOS-S 3030-18, 3040-18, 4030-18
SP722-033	GEOS-S TW 30-22	Partition wall kit; 154 x 270 x 2.5mm	GEOS-S 3030-22, 3040-22, 4030-22
SP722-034	GEOS-S TW 40-18	Partition wall kit; 108 x 370 x 2.5mm	GEOS-S 3040-18, 4030-18
SP722-036	GEOS-S TW 40-22	Partition wall kit; 154 x 370 x 2.5mm	GEOS-S 3030-22, 3040-22, 4030-22, 4050-22, 5040-22
SP722-036	GEOS-S TW 50-22	Partition wall kit; long side; 154 x 470 x 2.5mm	GEOS-S 4050-22, GEOS-S 5040-22
SP722-040	GEOS-S 3030 S	Replacement screw set (4)	GEOS-S 3030-18 to 22
SP722-041	GEOS-S 3040/4030 S	Replacement screw set (4)	GEOS-S 3040/4030
SP722-042	GEOS-S 4050/5040 S	Replacement screw set (4+2)	GEOS-S 4050/5040
SP722-043	GEOS-S 3030 SV	Replacement quick-close screw set (4)	GEOS-S 3030
SP722-044	GEOS-S 3040/4030 SV	Replacement quick-close screw set (4)	GEOS-S 3040/4030
SP722-045	GEOS-S 4050/5040 SV	Replacement quick-close screw set (4+2)	GEOS-S 4050/5040
SP722-050	GEOS-S DRS-DB/3	Twist lock set (2); Double-bit 3mm mandrel	GEOS-S
SP722-051	GEOS-S DRS-DB/5	Twist lock set (2); Double-bit 5mm mandrel	GEOS-S
SP722-052	GEOS-S DRS-VK/8	Twist lock set (2); Square 8mm	GEOS-S
SP722-053	GEOS-S DRS-DK/8	Twist lock set (2); Triangle 8mm	GEOS-S
SP722-054	GEOS-S DRS-KB	Twist lock set (2); Toggle handle	GEOS-S
SP722-055	GEOS-S DRS-SZ	Twist lock set (2); countersunk slot	GEOS-S
SP722-060	GEOS-S SGA-DB/3	Cylinder lock; Double-bit 3mm mandrel	GEOS-S sh swivel lever
SP722-069	GEOS-S SGA-2	Cylinder lock; DIN 18252, 8 x 45°; keyed (3)	GEOS-S sh swivel lever
SP722-070	GEOS-S TFS	Door Stop; block door in open position	GEOS-S
SP722-083	GEOS-S BSM 3030-9	Contact protection module (9), 1 row	GEOS-S 3030-18 to 22
SP722-087	GEOS-S BSM 3040-9	Contact protection module (9), 1 row	GEOS-S 3040-18 to 22
SP722-091	GEOS-S BSM 4050-15	Contact protection module (15), 1 row top or bottom	GEOS-S 4050-22

Information subject to change without notice; other accessories available - inquire with ITC



SP722-104 EPR-T 3040/4030



SP722-003 IT 3030



SP722-070 TFS



SP722-054 DRS-KB

EK-UL Distribution Enclosures

The EK-UL line of non-metallic enclosures, specially designed for housing modular, DIN-Rail mounted control devices such as circuit breakers, timers, fuse holders, and relays.

The compact design of these enclosures allows quick access to the top (operation) cover or side of these devices, under a lockable, transparent hinged cover, while denying access to the wiring terminals and the live parts of the system unless the whole enclosure is opened.



Features and specifications:

- Excellent resistance to acids, alcohol and oil (mineral/vegetable/Diesel)
- Cover is secured by sealable quarter-turn screws. Different wall mounting methods are available
- Extremely high resistance to impact and to UV rays
- Five sizes available for housing 2, 4, 8, 12 or 24 modular DIN-Rail mounted devices/poles 17.5mm wide
- Tinted transparent polycarbonate door provides excellent visibility of the devices inside, and can be lifted for operation unless prevented by an anti-tamper seal
- Smooth sidewalls can be drilled/punched for cable glands or conduit fittings
- Each enclosure comes equipped with DIN Rail and plastic closure strips for unused front slot spaces
- **Colour:** Grey (RAL 7035)
- **Operating temperature:** -25 to 40°C, up to 100% humidity at 25°C; Max temperature: 120°C
- **IP rating:** IP65 - NEMA 4X; NEMA 12K when equipped with glands of same or higher rating
- **Materials:** PC: Polycarbonate; flame retardant (UL-94 V2)
- **Approvals:** cULus (E254144); VDE

EK-UL Enclosures (Order by Part No.)

External dimensions (mm) (H,W,D)	Part No.	Model	Max. No. of 17.5mm Poles	External dimensions (in) (H,W,D)
130x94x80	SP542-502	EK 002-o-UL	2	5.11x3.70x3.15
180x110x 123	SP542-504	EK 004-o-UL	4	7.08x4.33x4.84
180x182x123	SP542-508	EK 008-o-UL	8	7.08x7.16x4.84
180x254x123	SP542-512	EK 012-o-UL	12	7.08x10.0x4.84
360x254x123	SP542-524	EK 024-o-UL	24	14.17x10.0x4.84
—	SP799-012	Closure strip, white, 6x2 poles		

Information subject to change without notice



AKL / AKi Large Combinable Enclosures

ITC's AKL enclosures can be used for all applications where electrical components must be protected against corrosion, liquids, dust, or undue access.

Features and specifications:

- 4 basic enclosures up to 600x300mm (23.6x11.8") and two different cover heights (grey or transparent)
- Side walls with pre-embossed metric knock-out openings
- **Colour:** Grey (RAL 7035)
- **Operating temperature:** -35 to 60°C, maximum 80°C
- **Ingress Protection:** Up to IP65 (EN 60529; VDE 0470-1)
- **Impact Resistance:** AKL: IK07; AKi: IK08; **Sealing Material:** Polyurethane
- **Material AKL:** Polystyrene. UL 94 V-2
- **Material AKi:** Polycarbonate. UL 94 V-2

AKL / AKi Enclosures (Order by Part No.)

External dimensions (mm)			Int'l depth* (mm)	Grey cover		Transparent cover		Material	External dimensions (in)			Int'l depth* (in)
H	W	D		Part No.	Model	Part No.	Model		H	W	D	
300	150	132	114	SP740-401	AKL 1-g	SP744-001	AKL 1-t	PS	11.81	5.91	5.20	4.49
300	300	132	114	SP740-402	AKL 2-g	SP744-002	AKL 2-t	PS	11.81	11.81	5.20	4.49
300	300	209	191	SP742-902	AKL 2-gh	SP746-902	AKL 2-th	PS	11.81	11.81	8.23	7.52
450	300	132	114	SP740-403	AKL 3-g	SP744-003	AKL 3-t	PS	17.72	11.81	5.20	4.49
450	300	209	191	SP742-903	AKL 3-gh	SP746-903	AKL 3-th	PS	17.72	11.81	8.23	7.52
600	300	132	114	SP740-404	AKL 4-g	SP744-004	AKL 4-t	PS	23.62	11.81	5.20	4.49
600	300	209	191	SP742-904	AKL 4-gh	SP746-904	AKL 4-th	PS	23.62	11.81	8.23	7.52
300	150	132	114	SP741-401	AKi 1-g	SP745-001	AKi 1-t	PC	11.81	5.91	5.20	4.49
300	300	132	114	SP741-402	AKi 2-g	SP745-002	AKi 2-t	PC	11.81	11.81	5.20	4.49
300	300	209	191	SP743-902	AKi 2-gh	SP747-902	AKi 2-th	PC	11.81	11.81	8.23	7.52
450	300	132	114	SP741-403	AKi 3-g	SP745-003	AKi 3-t	PC	17.72	11.81	5.20	4.49
450	300	209	191	SP743-903	AKi 3-gh	SP747-903	AKi 3-th	PC	17.72	11.81	8.23	7.52
600	300	132	114	SP741-404	AKi 4-g	SP745-004	AKi 4-t	PC	23.62	11.81	5.20	4.49
600	300	209	191	SP743-904	AKi 4-gh	SP747-904	AKi 4-th	PC	23.62	11.81	8.23	7.52

Information subject to change without notice

* Internal depth measured from the top of internal mounting supports to inside of cover

^ PC -Polycarbonate, PS - Polystyrene



SP745-001 AKi 1-t



SP741-404 AKi 4-g

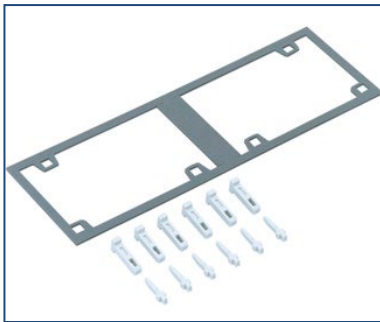


SP746-903 AKL 3-th

AKL / AKi Enclosure Accessories (Order by Part No.)

Part No.	Description	Use with
SP795-001	Plastic mounting plate	AKL-AKi1 to 4
SP795-002	Plastic mounting plate	AKL-AKki2 to 4
SP795-003	Plastic mounting plate	AKL-AKi3 to 4
SP795-004	Plastic mounting plate	AKL-AKi4
SP795-012	Steel mounting plate	AKL-AKi2 to 4
SP795-013	Steel mounting plate	AKL-AKi3 to 4
SP795-014	Steel mounting plate	AKL-AKi4
SP797-910	Partition wall AK TW	AK28 / AKL 2 / Aki 2
SP562-735	DIN Rail 35mm with spacers L=250mm	AKL-AKi1 to 4
SP795-030	DIN Rail 35mm with spacers L=216mm	AKL-AKi2 to 4
SP795-045	DIN Rail 35mm with spacers L=406mm	AKL-AKi3 to 4
SP795-060	DIN Rail 35mm with spacers L=556mm	AKL-AKi4
SP795-020	Spacer for mounting DIN Rail, plastic, H=20mm	All models
SP795-064	Spacer for mounting DIN Rail, plastic, H=64mm	All models
SP795-091	Spacer for mounting DIN Rail, plastic, H=91mm	All models
SP795-413	Self-tapping screw for mounting DIN Spacers	All models
SP567-412	Hinged window / cover, max 12 modules 17.5mm	All models
SP568-012	Inspection window / cover, max 12 modules 17.5mm	All models
SP791-001	Combi-set for joining AKL, AKi enclosures	All models
SP591-100	Combi-set of wedge connectors for joining AKL, AKi enclosures	All models
SP193-032	Joining connector IP54	All models

Information subject to change without notice



SP791-001 Combi-set



SP567-412 Hinged window



SP795-004 Plastic Mounting Plate



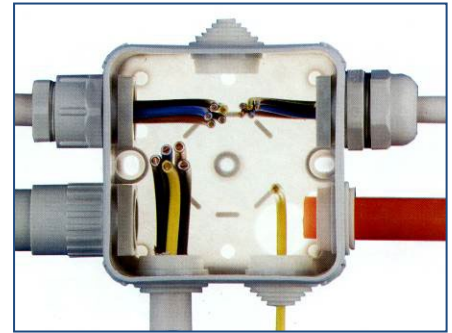


HP Polypropylene Junction Boxes

ITC's complete line of value priced small polypropylene junction boxes for low voltage applications.

Features and specifications:

- Six sizes available from 75x75mm (~3x3") to 199x149mm (~8x6")
- Suitable for installation in damp or wet areas
- **Quick assembly:** snap-in lid (quarter-turn screws for models HP100, HP150 and HP190)
- Metric cut-outs equipped with stepped nipples
 - Models HP100, HP150 and HP190 also have 4 knockouts on the base
- A mounting rail (DIN 35mm) can be installed (models HP150 & 190)
- A plastic tether secures the cover when open (models HP150 & 190)
- **Operating temperature:** -25 to 35°C; max 40°C
- **Ingress protection:** IP55 (IEC529)
- **Impact resistance:** IK07
- **Material:** Polypropylene, flame-retardant (UL 94-V2). Halogen-free, lead-free, cadmium-free
 - High resistance to impact and to UV
 - Excellent resistance to weak acids and alkalis, alcohol, oil and ammonia
- **Standards:** DIN EN 60670(VDE 0606)



HP Junction Boxes (Order by Part No.)

External dimensions (mm) (H,W,D)	Internal dimensions (mm) (H,W,D)	Part No.	Model	Knock-outs
75x75x42	68x68x38	SP320-970	HP-70	6 x M20
85x85x42	78x78x38	SP322-980	HP-80	7 x M20
90x90x45	82x82x38	SP325-990	HP-90-L	7 x M20
113x113x58	103.5x103.5x52	SP326-900	HP-100-L	7 x M25/20
119x164x77	110x155x70	SP326-950	HP-150-L	8 x M25 + 2 x M32/25
149x199x77	140x190x70	SP326-990	HP-190-L	4 x M25 + 4 x M32 + 2 x M40/32

Information subject to change without notice

HP Junction Box Accessories

Part No.	Description	Cable range
SP216-420	Stepped nipple M20	0 to 11 mm
SP216-425	Stepped nipple M25	0 to 16 mm
SP216-432	Stepped nipple M32	0 to 26.5mm

Information subject to change without notice

Small Polypropylene Enclosures

Five models of small polypropylene boxes equipped with patented external mounting feet, which are also suitable for cable tie mounting. Molded wire membranes can be pierced with a pointed tool (screwdriver, scissors). Snap-in lid is easily opened with a screwdriver.

Specially-shaped side entries on models SP334-904 and SP334-912 allow insertion of pre-terminated wires from the top of the open box.

Features and specifications:

- **Operating temperature:** -25 to 35° C; max 40° C
- **IP Rating:** IP20 / IP55
- **Materials:** Polypropylene; flame-retardant (UL94-V2)
- **Approvals:** VDE (0606), DIN EN60670



Small Polypropylene Enclosures (Order by Part No.)

External dimensions (mm) (H,W,D)	Part No.	Model	IP Rating	Knock-outs	External dimensions (in) (H,W,D)
56x40x23	SP334-904	Q4-L	20	4	2.2x1.57x0.91
89x43x37	SP310-908	Mini25-L	55	10	3.5x1.69x1.46
75x75x37	SP332-907	Sd7-L	55	7	2.95x2.95x1.46
85x85x37	SP334-912	Q12-L	20	12	3.35x3.35x1.46
85x37x33	SP333-916	i16-L	55	16	3.35x1.46x1.3

Information subject to change without notice

DIN Mounted Utility Boxes

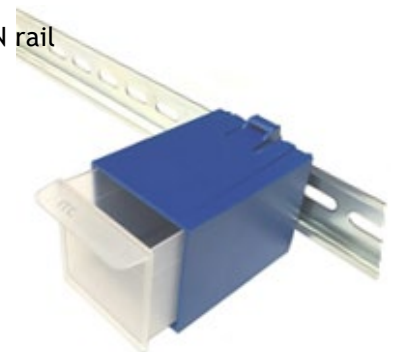
DIN Rail Mounted Utility Boxes are the smart way to store screws and fuses close to where you will need them. They are convenient DIN rail mounted enclosures, designed for handy storage of small parts inside a panel or electric cabinet. It can be used to store, in proximity to the equipment for which the parts are intended, spare parts and accessories such as miniature lamp bulbs, fuses, keys, adhesive labels, screws and washers, crimp terminal, ferrules and batteries....

- **Easy installation:** equipped with a snap foot for 35mm DIN rail, they can be easily installed or removed with the aid of a small screwdriver
- **Compact:** small enough to be mounted alongside most components on DIN Rail (terminal blocks, PLCs, fuse holders) without impeding access or operation, yet capable of storing a surprising amount
- **Materials:** Polystyrene (blue/white or green/white); flame-retardant
- **Versatility:** the ITC utility box can be used on both horizontal and vertical DIN rail

DIN Rail Utility Boxes (Order by Part No.)

Part No.	Description	Dimensions	Std. Package
111.200	ITC Utility Box (blue/white)	54x54x77mm - 2.1x2.1x3"	10
SP799-103	BordCase (green/white)	45x54x75mm - 1.8x2.1x3"	15

Information subject to change without notice



NE & EN Hinged Enclosures



Enclosures for electrical panels, equipped with hinged covers (solid or transparent), dimensions from 100x130x70mm (~3.9x5.1x2.7”) to 600x800x280mm (~23.6x31.5x11”).

They include models for indoor and for outdoor use:

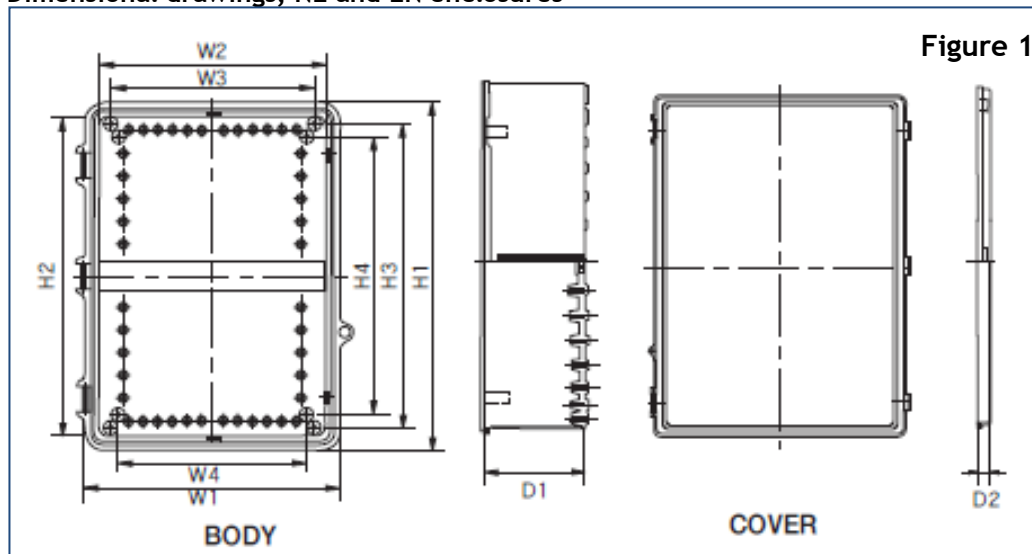
- For indoor use, made of halogen-free ABS 30%/polycarbonate 70%, NE-PG and EN-PG (solid grey cover) or NE-PT and EN-PT (transparent cover)
- For outdoor use, made of halogen-free reinforced polyester, NE-PCG and EN-PCG (solid grey cover) or NE-PCT and EN-PCT (transparent polycarbonate cover)

Features and specifications:

- Over 40 sizes available, more than 160 variations
- Easy to use, corrosion-proof plastic or metal hinges and clamps
- **Accessories available:** Steel back-plates (NE and EN), Plastic back-plates (NE and EN - most sizes), swing frame internal panel (NE), multipurpose internal frame (NE), padlock brackets, key lock, mounting brackets
- EN enclosures are supplied with a plastic back-plate (most sizes)
- **Operating temperature:** -40 to +85°C (PG/PT models); -40 to +75°C (PCG/PCT models)
- **IP Rating:** IP 67
- **NEMA rating:** 4X
- **Impact resistance:** IK08
- **Material PG & PT:** ABS and polycarbonate blend (UL94-5VA)
- **Material PCG & PCT:** reinforced polyester, suitable for outdoor use (UL 94 5VA)
- **Approvals:** cULus; TUV Rheinland; CE Mark



Dimensional drawings, NE and EN enclosures



Enclosures for Indoor use; NE-PG, NE-PT and EN-PG, EN-PT

Manufactured with blend of ABS and Polycarbonate, corrosion-proof and flame-resistant (UL94-5VA).

NE and EN - ABS and Polycarbonate blend Enclosures for INDOOR use (Order by Part No.)

Dimensions (mm) ◇			Part No. (solid grey cover)	Part No. (transparent cover)	Part No. Steel Mounting Back-Plate	Part No. Plastic Mounting Back-Plate	Dimensions (in) ◇		
H	W	D					H	W	D
130	99.5	70.5	EN-PG-1013 *	EN-PT-1013 *	DS-1013	DS-1013 P/L	5.12	3.92	2.78
150	99.5	70.5	EN-PG-1015 *	EN-PT-1015 *	DS-1015	DS-1015 P/L	5.91	3.92	2.78
200.5	99.5	70.5	EN-PG-1020 *	EN-PT-1020 *	DS-1020	DS-1020 P/L	7.89	3.92	2.78
270	99.5	70.5	EN-PG-1027 *	EN-PT-1027 *	DS-1027	DS-1027 P/L	10.63	3.92	2.78
150	150	90	EN-PG-1515 *	EN-PT-1515 *	DS-1515	DS-1515 P/L	5.91	5.91	3.54
211.5	161.5	100	EN-PG-1520 *	EN-PT-1520 *	DS-1520	DS-1520 P/L	8.33	6.36	3.94
222.7	172.7	110	NE-PG-1722	NE-PT-1722	DS-1722	DS-1722 P/L	8.77	6.80	4.33
222.7	172.7	130	NE-PG-1722-B	NE-PT-1722-B	DS-1722	DS-1722 P/L	8.77	6.80	5.12
274	172	110	NE-PG-1727	NE-PT-1727	DS-1727	DS-1727 P/L	10.79	6.77	4.33
270	170	130	NE-PG-1727-B	NE-PT-1727-B	DS-1727	DS-1727 P/L	10.63	6.69	5.12
196	196	145	EN-PG-1818 *	EN-PT-1818 *	n.a.	DS-1818-P/L	7.72	7.72	5.71
287	190	140	NE-PG-1929	NE-PT-1929	DS-1929	DS-1929 P/L	11.30	7.48	5.51
287	190	100	NE-PG-1929-S	NE-PT-1929-S	DS-1929	DS-1929 P/L	11.30	7.48	3.94
304.5	203	162	EN-PG-2030 *	EN-PT-2030 *	DS-2030	DS-2030 P/L	11.99	7.99	6.38
304.5	203	203	EN-PG-2030-B *	EN-PT-2030-B *	DS-2030	DS-2030 P/L	11.99	7.99	7.99
304.5	203	132	EN-PG-2030-S *	EN-PT-2030-S *	DS-2030	DS-2030 P/L	11.99	7.99	5.20
275	225	120	EN-PG-2227 *	EN-PT-2227 *	DS-2227	DS-2227 P/L	10.82	8.86	4.72
325	275	180	NE-PG-2530	NE-PT-2530	DS-2530	DS-2530 P/L	12.80	10.83	7.09
356	250	150	EN-PG-2535 *	EN-PT-2535 *	DS-2535	DS-2535 P/L	14.02	9.84	5.91
356	250	180	EN-PG-2535-B *	EN-PT-2535-B *	DS-2535	DS-2535 P/L	14.02	9.84	7.08
356	250	150	—	NE-PT-2535 ^	DS-2535	DS-2535 P/L	14.02	9.84	5.91
190	287	140	NE-PG-2919	NE-PT-2919	DS-2919	DS-2919 P/L	7.48	11.30	5.51
190	287	100	NE-PG-2919-S	NE-PT-2919-S	DS-2919	DS-2919 P/L	7.48	11.30	3.94
397	297	160	NE-PG-2939	NE-PT-2939	DS-2939	DS-2939 P/L	15.63	11.69	6.30
397	297	140	NE-PG-2939-M	NE-PT-2939-M	DS-2939	DS-2939 P/L	15.63	11.69	5.51
397	297	100	NE-PG-2939-S	NE-PT-2939-S	DS-2939	DS-2939 P/L	15.63	11.69	3.94
330	330	179	NE-PG-3030	NE-PT-3030	DS-3030	DS-3030 P/L	12.99	12.99	7.05
330	330	134	NE-PG-3030-S	NE-PT-3030-S	DS-3030	DS-3030 P/L	12.99	12.99	5.28
410	304.5	162.5	EN-PG-3040 *	EN-PT-3040 *	DS-3040	DS-3040 P/L	16.14	11.99	6.40
410	304.5	181	EN-PG-3040-B *	EN-PT-3040-B *	DS-3040	DS-3040 P/L	16.14	11.99	7.13
450	350	200	EN-PG-3545 *	EN-PT-3545 *	DS-3545	DS-3545 P/L	15.74	13.78	7.87
450	350	160	EN-PG-3545-S *	EN-PT-3545-S *	DS-3545	DS-3545 P/L	17.71	13.78	6.29
500	400	160	EN-PG-4050 *	EN-PT-4050 *	DS-4050	DS-4050 P/L	19.69	15.74	6.29
500	400	200	EN-PG-4050-B *	EN-PT-4050-B *	DS-4050	DS-4050 P/L	19.69	15.74	7.87
532	433	200	EN-PG-4353	EN-PT-4353	DS-4353	DS-4353 P/L	20.94	17.05	7.87
532	433	160	EN-PG-4353-S	EN-PT-4353-S	DS-4353	DS-4353 P/L	20.94	17.05	6.30
634	534	182	EN-PG-5060-S	EN-PT-5060-S	DS-5060	—	24.96	21.02	7.17
634	534	252	EN-PG-5060	EN-PT-5060	DS-5060	—	24.96	21.02	9.92
734	534	180	EN-PG-5070-S	EN-PT-5070-S	DS-5070	—	28.90	21.02	7.09
734	534	250	EN-PG-5070	EN-PT-5070	DS-5070	—	28.90	21.02	9.84
810	607	282	EN-PG-6080	n.a.	DS-6080	—	31.89	23.90	11.02

Information subject to change without notice
* Plastic mounting backplate included

◇ External dimensions - Hinge is located along the "H" dimension
^ End of stock



Enclosures for Outdoor use; NE-PCG, NE-PCT and EN-PCG, EN-PCT

Manufactured with blend of Reinforced Polyester, corrosion-proof and flame-resistant (UL94-5VA).

NE and EN - Reinforced Polyester Enclosures for OUTDOOR use (Order by Part No.)

Dimensions (mm) ◇			Part No. (solid grey cover)	Part No. (transparent cover)	Part No. Steel Mounting Back-Plate	Part No. Plastic Mounting Back-Plate	Dimensions (in) ◇		
H	W	D					H	W	D
130	99.5	70.5	EN-PCG-1013 *	EN-PCT-1013 *	DS-1013	DS-1013 P/L	5.12	3.92	2.78
150	99.5	70.5	EN-PCG-1015 *	EN-PCT-1015 *	DS-1015	DS-1015 P/L	5.91	3.92	2.78
200.5	99.5	70.5	EN-PCG-1020 *	EN-PCT-1020 *	DS-1020	DS-1020 P/L	7.89	3.92	2.78
270	99.5	70.5	EN-PCG-1027 *	EN-PCT-1027 *	DS-1027	DS-1027 P/L	10.63	3.92	2.76
150	150	90	EN-PCG-1515 *	EN-PCT-1515 *	DS-1515	DS-1515 P/L	5.91	5.91	3.54
211.5	161.5	100	EN-PCG-1520 *	EN-PCT-1520 *	DS-1520	DS-1520 P/L	8.33	6.36	3.94
222.7	172.7	110	NE-PCG-1722	NE-PCT-1722	DS-1722	DS-1722 P/L	8.77	6.80	4.33
222.7	172.7	130	NE-PCG-1722-B	NE-PCT-1722-B	DS-1722	DS-1722 P/L	8.77	6.80	5.12
274	172	110	NE-PCG-1727	NE-PCT-1727	DS-1727	DS-1727 P/L	10.79	6.77	4.33
270	170	130	NE-PCG-1727-B	NE-PCT-1727-B	DS-1727	DS-1727 P/L	10.63	6.69	5.12
196	196	145	EN-PCG-1818 *	EN-PCT-1818 *	n.a.	DS-1818-P/L	7.72	7.72	5.71
287	190	140	NE-PCG-1929	NE-PCT-1929	DS-1929	DS-1929 P/L	11.30	7.48	5.51
287	190	100	NE-PCG-1929-S	NE-PCT-1929-S	DS-1929	DS-1929 P/L	11.30	7.48	3.94
304.5	203	162	EN-PCG-2030 *	EN-PCT-2030 *	DS-2030	DS-2030 P/L	11.99	7.99	6.38
304.5	203	203	EN-PCG-2030-B *	EN-PCT-2030-B *	DS-2030	DS-2030 P/L	11.99	7.99	7.99
304.5	203	132	EN-PCG-2030-S *	EN-PCT-2030-S *	DS-2030	DS-2030 P/L	11.99	7.99	5.20
275	225	120	EN-PCG-2227 *	EN-PCT-2227 *	DS-2227	DS-2227 P/L	10.82	8.86	4.72
325	275	180	NE-PCG-2530	NE-PCT-2530	DS-2530	DS-2530 P/L	12.80	10.83	7.09
356	250	150	EN-PCG-2535 *	EN-PCT-2535	DS-2535	DS-2535 P/L	14.02	9.84	5.91
356	250	180	EN-PCG-2535-B *	EN-PCT-2535-B *	DS-2535	DS-2535 P/L	14.02	9.84	7.08
190	287	140	NE-PCG-2919	NE-PCT-2919	DS-2919	DS-2919 P/L	7.48	11.30	5.51
190	287	100	NE-PCG-2919-S	NE-PCT-2919-S	DS-2919	DS-2919 P/L	7.48	11.30	3.94
397	297	160	NE-PCG-2939	NE-PCT-2939	DS-2939	DS-2939 P/L	15.63	11.69	6.30
397	297	140	NE-PCG-2939-M	NE-PCT-2939-M	DS-2939	DS-2939 P/L	15.63	11.69	5.51
397	297	100	NE-PCG-2939-S	NE-PCT-2939-S	DS-2939	DS-2939 P/L	15.63	11.69	3.94
330	330	179	NE-PCG-3030	NE-PCT-3030	DS-3030	DS-3030 P/L	12.99	12.99	7.05
330	330	134	NE-PCG-3030-S	NE-PCT-3030-S	DS-3030	DS-3030 P/L	12.99	12.99	5.28
410	304.5	162.50	EN-PCG-3040 *	EN-PCT-3040 *	DS-3040	DS-3040 P/L	16.14	11.99	6.40
410	304.5	181	EN-PCG-3040-B *	EN-PCT-3040-B *	DS-3040	DS-3040 P/L	16.14	11.99	7.13
450	350	200	EN-PCG-3545 *	EN-PCT-3545 *	DS-3545	DS-3545 P/L	15.74	13.78	7.87
450	350	160	EN-PCG-3545-S *	EN-PCT-3545-S *	DS-3545	DS-3545 P/L	17.71	13.78	6.29
500	400	160	EN-PCG-4050 *	EN-PCT-4050 *	DS-4050	DS-4050 P/L	19.69	15.74	6.29
500	400	200	EN-PCG-4050-B *	EN-PCT-4050-B *	DS-4050	DS-4050 P/L	19.69	15.74	7.87
532	433	200	EN-PCG-4353	EN-PCT-4353	DS-4353	DS-4353 P/L	20.94	17.05	7.87
532	433	160	EN-PCG-4353-S	EN-PCT-4353-S	DS-4353	DS-4353 P/L	20.94	17.05	6.30
634	534	182	EN-PCG-5060-S	EN-PCT-5060-S	DS-5060	—	24.96	21.02	7.17
634	534	252	EN-PCG-5060	EN-PCT-5060	DS-5060	—	24.96	21.02	9.92
734	534	180	EN-PCG-5070-S	EN-PCT-5070-S	DS-5070	—	28.90	21.02	7.09
734	534	250	EN-PCG-5070	EN-PCT-5070	DS-5070	—	28.90	21.02	9.84
810	607	282	EN-PCG-6080	n.a.	DS-6080	—	31.89	23.90	11.02

Information subject to change without notice

◇ External dimensions - Hinge is located along the "H" dimension

* Plastic mounting backplate included

NE and EN Mounting Back-Plates (Order by Part No.)

Part No.	Description	Dimensions (mm)	Material
DS-1013	Steel Mounting plate for 130X100mm NE, EN enclosures	96.5x68x1.6	Galvanized steel
DS-1013 P/L	Plastic Mounting Plate for 130X100mm NE, EN enclosures	96.5x68x3.5	ABS, grey
DS-1015	Steel Mounting plate for 150X100mm NE, EN enclosures	116x68x1.6	Galvanized steel
DS-1015 P/L	Plastic Mounting Plate for 150X100mm NE, EN enclosures	116x68x3.5	ABS, grey
DS-1020	Steel Mounting plate for 200X100mm NE, EN enclosures	166x68x1.6	Galvanized steel
DS-1020 P/L	Plastic Mounting Plate for 200X100mm NE, EN enclosures	166x68x3.5	ABS, grey
DS-1027	Steel Mounting plate for 270X100mm NE, EN enclosures	235x68x1.6	Galvanized steel
DS-1027 P/L	Plastic Mounting Plate for 270X100mm NE, EN enclosures	235x68x3.5	ABS, grey
DS-1515	Steel Mounting plate for 150X150mm NE, EN enclosures	124x124x1.6	Galvanized steel
DS-1515 P/L	Plastic Mounting Plate for 150X150mm NE, EN enclosures	124x124x3.5	ABS, grey
DS-1520	Steel mounting plate for 200x150 EN enclosures	183x136x1.6	Galvanized steel
DS-1520 P/L	Plastic mounting plate for 200x150 EN enclosures	183x136x3.5	ABS, grey
DS-1722	Steel Mounting plate for 220X170mm NE enclosures	186x136x1.6	Galvanized steel
DS-1722 P/L	Plastic Mounting Plate for 220X170mm NE enclosures	186x136x3.5	ABS, grey
DS-1727	Steel Mounting plate for 270X170mm NE enclosures	235x136x1.6	Galvanized steel
DS-1727 P/L	Plastic Mounting Plate for 270X170mm NE enclosures	235x136x3.5	ABS, grey
DS-1818 P/L	Plastic mounting plate for 180x180EN enclosures	175x175x3.5	ABS, grey
DS-1929	Steel Mounting plate for 190X290mm NE enclosures	251x161x1.6	Galvanized steel
DS-1929 P/L	Plastic Mounting Plate for 190X290mm NE enclosures	251x161x3.4	ABS, grey
DS-2030	Steel mounting plate for 300x200mm EN enclosures	267x170x1.6	Galvanized steel
DS-2030 P/L	Plastic mounting plate for 300x200mm EN enclosures	267x170x3.5	ABS, grey
DS-2227	Steel mounting plate for 275x225mm EN enclosures	245x192x1.6	Galvanized steel
DS-2227 P/L	Plastic mounting plate for 275x225mm EN enclosures	245x192x3.5	ABS, grey
DS-2530	Steel Mounting plate for 350X250mm NE enclosures	288x240x1.6	Galvanized steel
DS-2530 P/L	Plastic Mounting Plate for 350X250mm NE enclosures	287x237x3.5	ABS, grey
DS-2535	Steel mounting plate for 350x250mm NE, EN enclosures	321x221x1.6	Galvanized steel
DS-2535 P/L	Plastic mounting plate for 350x250mm NE, EN enclosures	321x221x3.5	ABS, grey
DS-2919	Steel Mounting plate for 290X190mm NE enclosures	252x161x1.6	Galvanized steel
DS-2919 P/L	Plastic Mounting Plate for 290X190mm NE enclosures	252x161x3.5	ABS, grey
DS-2939	Steel Mounting plate for 390X290mm NE enclosures	362x265x1.6	Galvanized steel
DS-2939 P/L	Plastic Mounting Plate for 390X290mm NE enclosures	362x265x3.5	ABS, grey
DS-3030	Steel Mounting plate for 300X300mm NE enclosures	287x287x1.6	Galvanized steel
DS-3030 P/L	Plastic Mounting Plate for 300X300mm NE enclosures	287x287x3.3	ABS, grey
DS-3040	Steel mounting plate for 400x300mm EN enclosures	362x265x1.6	Galvanized steel
DS-3040 P/L	Plastic mounting plate for 400x300mm EN enclosures	362x265x3.5	ABS, grey
DS-3545	Steel mounting plate for 450x350mm EN enclosures	420x307x1.6	Galvanized steel
DS-3545 P/L	Plastic mounting plate for 450x350mm EN enclosures	420x307x3.5	ABS, grey
DS-3546	Steel Mounting plate for 450X365mm NE enclosures	447x333x1.6	Galvanized steel
DS-3546 P/L	Plastic Mounting Plate for 450X365mm NE enclosures	447x333x3.5	ABS, grey
DS-4050	Steel mounting plate for 500x400mm EN enclosures	463x362x1.6	Galvanized steel
DS-4050 P/L	Plastic mounting plate for 500x400mm EN enclosures	463x362x3.5	ABS, grey
DS-4353	Steel Mounting plate for 530X430mm NE, EN enclosures	463x362x1.6	Galvanized steel
DS-4353 P/L	Plastic Mounting Plate for 530X430mm NE, EN enclosures	463x362x1.6	ABS, grey
DS-5060	Steel Mounting plate for 600X500mm NE, EN enclosures	575x485x1.6	Galvanized steel
DS-5070	Steel Mounting plate for 700X500mm NE, EN enclosures	680x480x1.6	Galvanized steel

Information subject to change without notice



Medium and large back-plates



NE and EN Accessories

Part No.	Description	Material
DSA-K20	Locking kit: metal lock, bracket, mount. Screws, plastic bezel	Various
DSB-50	Spare metal bracket for encl. NE-...-1929 to NE-...-3030 (set of 4)	Galvanized steel
DSB-60	Spare metal bracket for encl. NE-...-3546 to NE-...-5070 (set of 4)	Galvanized steel
DS-C-10	Dovetail ABS insert with fem. thread, encl. NE-...-1013 to -1515 (set of 4)	ABS
DS-C-50	Dovetail ABS insert with fem. thread, encl. NE-...-1722 to -5070 (set of 4)	ABS
DSC-H50	Dovetail hinged ABS insert, encl. NE-...-1722 to -5070 (set of 2)	ABS
DSD-1929	Swing frame panel, aluminum, for enclosures NE 190x290mm	Aluminum
DSD-2530	Swing frame panel, aluminum, for enclosures NE 250x300mm	Aluminum
DSD-2535	Swing frame panel, aluminum, for enclosures NE 250x350mm	Aluminum
DSD-2939	Swing frame panel, aluminum, for enclosures NE 290x390mm	Aluminum
DSD-3030	Swing frame panel, aluminum, for enclosures NE 300x300mm	Aluminum
DSD-3546	Swing frame panel, aluminum, for enclosures NE 350x465mm	Aluminum
DSD-5060	Swing frame panel, aluminum, for enclosures NE 500x600mm	Aluminum
DSD-5070	Swing frame panel, aluminum, for enclosures NE 500x700mm	Aluminum
DSF-1929	Swing frame, grey ABS, for enclosures NE 190x290mm	ABS, grey
DSF-2530	Swing frame, grey ABS, for enclosures NE 250x300mm	ABS, grey
DSF-2535	Swing frame, grey ABS, for enclosures NE 250x350mm	ABS, grey
DSF-2939	Swing frame, grey ABS, for enclosures NE 290x390mm	ABS, grey
DSF-3030	Swing frame, grey ABS, for enclosures NE 300x300mm	ABS, grey
DSF-3546	Swing frame, grey ABS, for enclosures NE 350x465mm	ABS, grey
DSF-5060	Swing frame, grey ABS, for enclosures NE 500x600mm	ABS, grey
DSF-5070	Swing frame, grey ABS, for enclosures NE 500x700mm	ABS, grey
DSH-25	Steel hinge for swing frame panel, small	Steel
DSH-50	Steel hinge for swing frame panel, large	Steel
DSK-40	Padlock bracket set for DS NE enclosures	—
DSL-10	Knurled screw (steel) with washer, for swing frame panel	Steel
DSM-45	Steel latch for DS enclosures, small	Steel
DSM-55	Steel latch for DS enclosures, medium	Steel
DSM-65	Steel latch for DS enclosures, large	Steel
DSM-65K	Steel latch for DS enclosures, large, with key	Steel
DS-PK-20	Plastic locking kit: lock, bracket, locknut, screws for DS Enclosures	Various
DS-VH-40	Ventilation fitting, ABS	ABS/AC
DS-VH-50	U-shaped Ventilation fitting, ABS	ABS/AC

Information subject to change without notice

Note: To select a complete swing frame panel set, choose the swingframe DSF... fitting the enclosure, the corresponding aluminum panel DSD..., plus two hinges (DSH-...) and two knurled screws (DSL-10)



Control BOX Cabinets



DSE's Control BOX series, equipped with hinged covers (solid or transparent) and Stainless Steel latches and hinges, with dimensions from 300x200x180mm (-11.8x7.9x7.1") to 600x800x280mm (-23.6x31.5x11").

They include models for indoor and for outdoor use:

- For indoor use, made of halogen-free ABS 30%/polycarbonate 70%, NE-PG and DS-PG (solid grey cover) or DS-PT and EN-PT (transparent cover)
- For outdoor use, made of halogen-free reinforced polyester, DS-PCG (solid grey cover) or DS-PCT (transparent polycarbonate cover)

Features and specifications:

- Over 17 sizes available, more than 68 variations
- Stainless Steel latches
- Accessories available:** Steel back-plates, Plastic back-plates internal frames, padlock brackets, locks, mounting brackets
- Operating temperature:** -40 to +85°C (ABS-PC models); -40 to +75°C (Polyester models)
- IP Rating:** IP 67
- NEMA rating:** 4X
- Impact resistance:** IK08
- Material PG & PT:** ABS and polycarbonate blend (UL94-5VA)
- Material PCG & PCT:** reinforced polyester, suitable for outdoor use (UL 94 5VA)
- Approvals:** cULus



DS Control BOX - ABS and Polycarbonate blend Enclosures for INDOOR use (Order by Part No.)

Dimensions (mm) ◇			Part No. (solid grey cover)	Part No. (transparent cover)	Part No. Steel Mounting Back-Plate	Part No. Plastic Mounting Back-Plate	Dimensions (in) ◇		
H	W	D					H	W	D
298	198	178	DS-PG-01	DS-PT-01	DS-01	DS-10 PL	11.73	7.78	7.00
399	299	178	DS-PG-02	DS-PT-02	DS-02	DS-02 PL	15.71	11.77	7.00
500	400	200	DS-PG-03	DS-PT-03	DS-03	DS-03 PL	19.69	15.75	7.87
600	400	230	DS-PG-04	DS-PT-04	DS-04	DS-04 PL	23.62	15.75	9.06
800	600	280	DS-PG-07	—	DS-07	DS-07 PL	31.50	23.62	11.02

Information subject to change without notice
DS-xx-07 - equivalent to EN-xx-6080

◇ External dimensions - Hinge is located along the "H" dimension

DS Control BOX - Reinforced Polyester Enclosures for OUTDOOR use (Order by Part No.)

Dimensions (mm) ◇			Part No. (solid grey cover)	Part No. (transparent cover)	Part No. Steel Mounting Back-Plate	Part No. Plastic Mounting Back-Plate	Dimensions (in) ◇		
H	W	D					H	W	D
298	198	178	DS-PCG-01	DS-PCT-01	DS-01	DS-10 PL	11.73	7.78	7.00
399	299	178	DS-PCG-02	DS-PCT-02	DS-02	DS-02 PL	15.71	11.77	7.00
500	400	200	DS-PCG-03	DS-PCT-03	DS-03	DS-03 PL	19.69	15.75	7.87
600	400	230	DS-PCG-04	DS-PCT-04	DS-04	DS-04 PL	23.62	15.75	9.06

Information subject to change without notice

◇ External dimensions - Hinge is located along the "H" dimension

AL series Aluminum Enclosures

ITC's AL general purpose aluminum enclosures series offer high resistance to corrosion and high impact resistance.

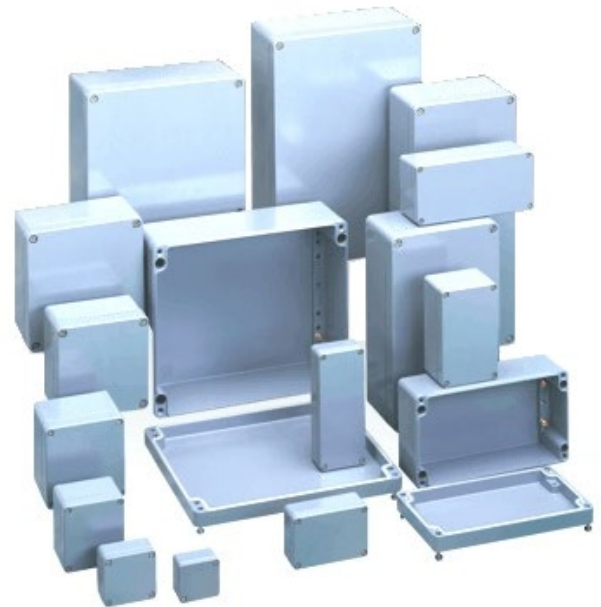
Features and specifications:

- Surfaces protected with powder coating (grey RAL 7035)
- Operating Temperature:** -35 to 60 °C, max 75 °C
- Ingress Protection:** IP66 (EN 60529; VDE 0470-1)
- Impact Resistance:** IK09 (DIN EN 5012 / VDE 470 segment 100)
- Material:** Aluminum Al Si 12 - halogen free
- Seal Material:** Silicone
- Approvals:** UKCA - DIN EN62208:2011

AL Enclosures (Order by Part No.)

Dimensions (mm)			Int'l Depth (mm)	Part No.	Model
H	W	D			
50	45	30	25	SP150-001	AL 55-3
64	58	34	28.5	SP150-002	AL 66-3
98	64	34	28.5	SP150-003	AL 1006-3
150	64	34	28.5	SP150-004	AL 1506-3
80	75	57	51	SP150-005	AL 88-6
125	80	57	51	SP150-006	AL 1308-6
175	80	80	51	SP150-007	AL 1808-6
100	100	80	74	SP150-008	AL 1010-8
122	120	80	72	SP150-009	AL 1212-8
220	120	80	72	SP150-010	AL 2212-8
160	160	90	82	SP150-011	AL 1616-9
260	160	90	82	SP150-012	AL 2616-9
360	160	90	82	SP150-013	AL 3616-9
200	230	110	102	SP150-014	AL 2023-11
280	230	110	102	SP150-015	AL 2823-11

subject to change without notice



AL Enclosures Accessories (Order by Part No.)

Size (mm)	Part No.	Description	Use with
47x69x1.25	SP155-005	Mounting Plate Sheet steel, with self-tapping screws	AL 88
99x69x1.25	SP155-006		AL 1308
148x69x1.25	SP155-007		AL 1808
70x88x1.5	SP155-008		AL 1010
86x107x1.5	SP155-009		AL 1212
184x107x1.5	SP155-010		AL 2212
115x142x1.5	SP155-011		AL 1616
215x142x2	SP155-012		AL 2616
316x142x2	SP155-013		AL 3616
153x214x1.5	SP155-014		AL 2023
234x214x2	SP155-015		AL 2823
282x214x2	SP155-016		AL 3323
Small	SP154-004	Mounting Brackets	Up to AL 1010
Large	SP154-006		From AL 1212
150° opening angle	SP154-210	External Hinges	All AL
95° opening angle	SP154-210X		Upon request only

Information subject to change without



ALS series Aluminum Enclosures



The new ALS series of UL approved die-cast aluminum enclosures with new dimensions. Available accessories include backplates, hinge sets and external mounting kits.

Features and specifications:

- **Finish:** grey powder coating (RAL 7001)
custom colour finishes available
- **Sizes:** 8 sizes
 - 89X89X64mm to
 - 388x270x117mm
- **Enclosure material:** aluminum, Halogen free
- **Seal Material:** silicon
- **Ingress Protection:** IP66
(NEMA 4x, NEMA12)
- **Impact Resistance:** IK09
- **Operating Temperature:** -35 to 60°C, Max 75°C
- **Approvals:** cULus; # E208470, # E254144



ALS Aluminum Enclosures and accessories (Order by Part No.)

Dimensions (mm)			Part No.	Model	Description	Backplate, plastic	Backplate, metal
H	W	D					
89	89	64	SP151-001	ALS 99-6	ALS Aluminum enclosure	SP195-001	SP197-001
119	119	64	SP151-003	ALS 1212-6	ALS Aluminum enclosure	SP195-003	SP197-003
139	139	73	SP151-004	ALS 1414-7	ALS Aluminum enclosure	SP195-004	SP197-004
154	154	81	SP151-005	ALS 1515-8	ALS Aluminum enclosure	SP195-005	SP197-005
199	114	95	SP151-006	ALS 2011-9	ALS Aluminum enclosure	SP195-006	SP197-006
199	199	95	SP151-007	ALS 2020-9	ALS Aluminum enclosure	SP195-007	SP197-007
273	205	95	SP151-008	ALS 2720-9	ALS Aluminum enclosure	SP195-008	SP197-008
388	270	117	SP151-012	ALS 3927-12	ALS Aluminum enclosure	SP195-012	SP197-012
-			SP154-004	AL ALS-kl	External mounting set for AL/ALS enclosures; models 99, 1212		
-			SP154-006	AL ALS-gro	External mounting set for AL/ALS enclosures; models 1414, 1515, 2011, 2020, 2720, 3927		
-			SP154-210	AL ASS	External hinge kit for ALS enclosures		

Information subject to change without notice



SP154-004 AL ALS-kl



SP151-005 ALS-1515-8



SP197-006 TK MPS-1811



SP154-210 ALS-ASS



ELECTRICAL COMPONENTS

416.663.7223
 www.itcproducts.com
 50 Mural St Unit 8
 Richmond Hill, ON L4B 1E4



DIN Rail



DIN Rail Accessories



Non-Metallic Enclosures



Hinged Enclosures



Thermal Management



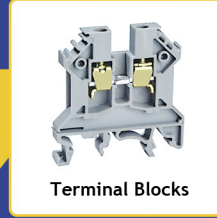
PANEL Lighting



Multipole Connectors



Compact IP68 Connectors



Terminal Blocks



Terminal Strips



22.5mm Pushbuttons



LED Indicators



Control Stations



Limit Switches



Micro Limit Switches



Safety Switches



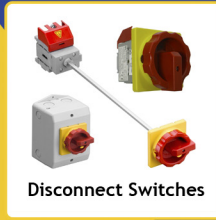
Foot Switches



Circuit Breakers



IEC Contactors



Disconnect Switches



Midget and CC Fuse Holders



Tower Lights



Power Continuity



Ferrules



Colour Coded Lugs



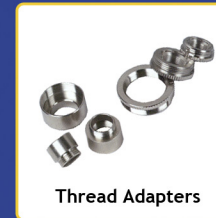
Crimp Terminals



Termination Kits



Cable Glands



Thread Adapters



Cable Entry Systems



Wire Management



DIN Rail Cutters



Assembly Tables



Cutting & Stripping



Crimping Tools



Hole Cutting & Punching Tools

SOME OF OUR MANUFACTURING PARTNERS

