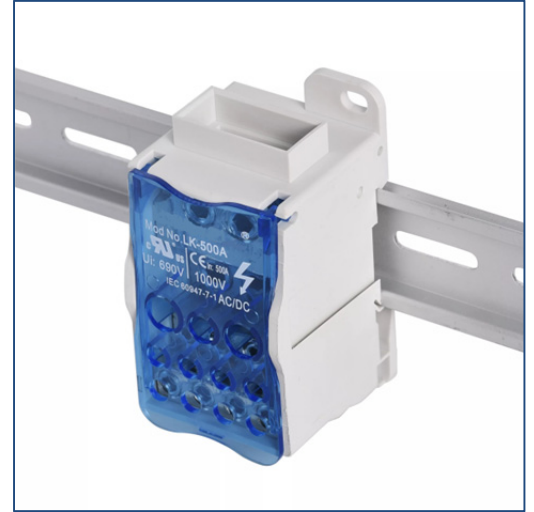


DTS Distribution Blocks

DTS modular distribution blocks mount on DIN Rail and accommodate up to 4 connected/linked poles.

Features and Specifications

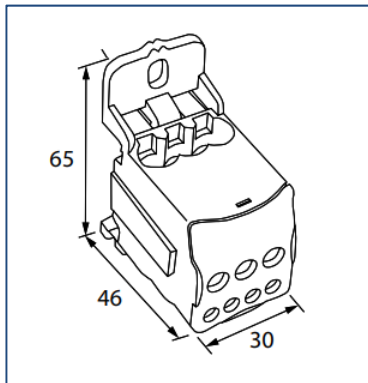
- Compact
- Cable fixing screw diameters >95% fill ratio: excellent electrical contact and safe connections
- Hinged or removable cover for easy wiring
- Visual inspection of wire: confirmation of connection
- **Material:** Tinned copper block: high conductivity
- **IP rating:** IP20, finger safe
- **Approvals:** cURus



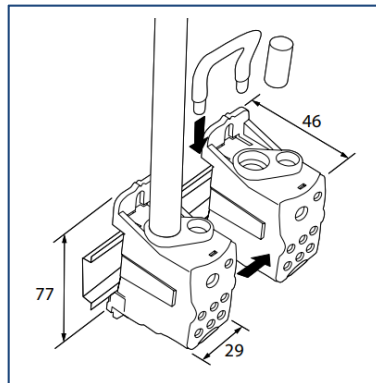
DTS Distribution Blocks (Order by Part No.)

Part No.	711.080			711.125			711.160				
Model	LK-80A			LK-125A			LK-160A				
Max current rating (UL)	85 A			150 A			200 A				
Short term withstand current	3 kA			4.2 kA			11.8 kA				
Peak short circuit current	22 kA			30 kA			30 kA				
Max working voltage	600 V			600 V			600 V				
Input (AWG)	Wires	Torque	16-4	1	3.5 N·m	8-1/0	1	8.5 N·m	8 - 3/0	1	8.5 N·m
Output (AWG)	Wires	Torque	16-8	4	1.2 N·m	14-4	1	3.5 N·m	14-4	1	3.5 N·m
			16-4	2	3.5 N·m	14-4	6	3.5 N·m	14-4	6	3.5 N·m
Dimensions (HxWxD) mm			65 x 30 x 46			77 x 29 x 46			77 x 29 x 46		
Weight			0.07kg			0.15kg			0.15kg		
Distance between mounting holes			54mm			64mm			64mm		

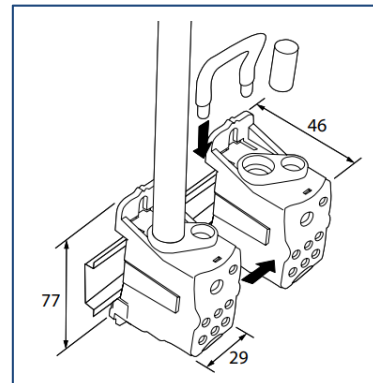
Information subject to change without notice



711.080



711.125



711.160

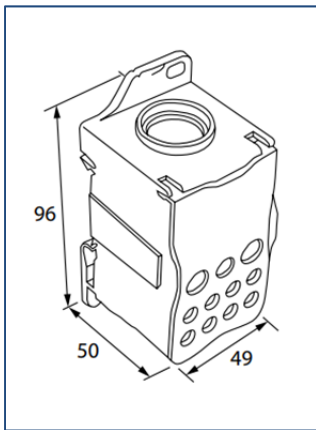




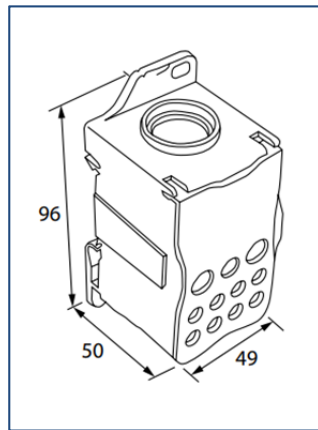
DTS Distribution Blocks (Order by Part No.)

Part No.		711.250			711.400			711.500			
Model		LK-250A			LK-400A			LK-500A			
Max current rating (UL)		255A			335A			520A			
Short term withstand current		24.5kA			24.5kA			24.5kA			
Peak short circuit current		51kA			51kA			51kA			
Max working voltage		690 V			690 V			600 V			
Input (AWG) / Torque		6-250MCM	1	19 N·m	3/0-400MCM	1	25 N·m	4x15.5x0.8 -8x24x1 busbar		10 N·m	
Output (AWG)	Wires	Torque	14-1	2	4.4 N·m	14-1 x2	2	4.4 N·m	14-1	2	4.4 N·m
			14-4	5	2.7 N·m	14-4 x5	5	2.7 N·m	14-4	5	2.7 N·m
			14-6	4	2.7 N·m	14-6	4	2.7 N·m	14-6	4	2.7 N·m
Dimensions (HxWxD) mm		96 x 49 x 50			96 x 49 x 50			96 x 49 x 50			
Weight		0.42kg			0.40kg			0.37kg			
Distance between mounting holes		85 x 29mm			85 x 29mm			85 x 29mm			

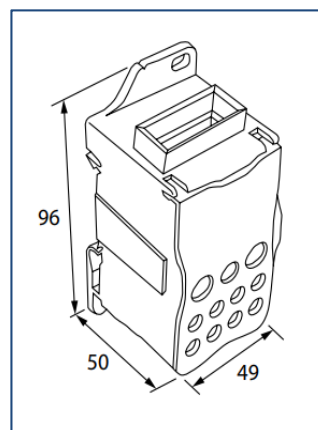
Information subject to change without notice



711.250



711.400



711.500



DTS Terminal Block Accessories (Order by Part No.)

Part No.	Image	Description
711.100J		Plug/Jumper for LK-125A and LK-150A DTS blocks
711.250C		Terminal lug adapter for LK-250A DTS blocks
711.400C		Terminal lug adapter for LK-400A DTS blocks

Information subject to change without notice