

DTS Distribution Blocks

DTS modular distribution blocks mount on DIN Rail and accommodate up to 4 connected/linked poles.

Features and Specifications

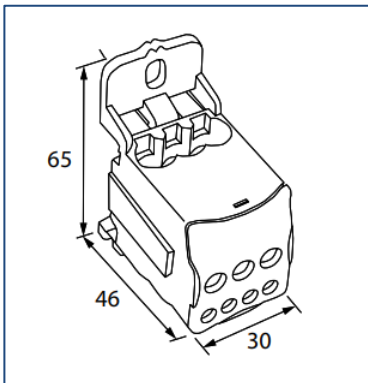
- Compact
- Cable fixing screw diameters >95% fill ratio: excellent electrical contact and safe connections
- Hinged or removable cover for easy wiring
- Visual inspection of wire: confirmation of connection
- **Material:** Tinned copper block: high conductivity
- **IP rating:** IP20, finger safe
- **Approvals:** cURus



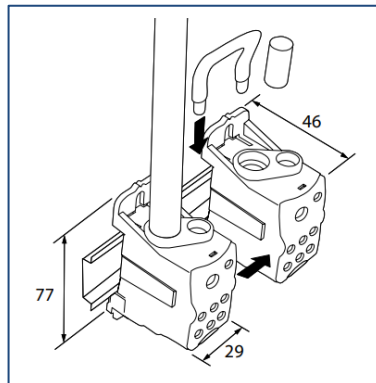
DTS Distribution Blocks (Order by Part No.)

Part No.		711.080			771.125			771.160				
Model		LK-80A			LK-125A			LK-160A				
Max current rating (UL)		85 A			150 A			160 A				
Short term withstand current		3 kA			4.2 kA			11.8 kA				
Peak short circuit current		22 kA			30 kA			30 kA				
Max working voltage		600 V			600 V			600 V				
Input (AWG)	Wires	Torque		16-4	1	3.5 N·m	8-1/0	1	8.5 N·m	8 - 3/0	1	8.5 N·m
Output (AWG)	Wires	Torque		16-8	4	1.2 N·m	14-4	1	3.5 N·m	14-4	1	3.5 N·m
		Torque		16-4	2	3.5 N·m	14-4	6	3.5 N·m	14-4	6	3.5 N·m
Dimensions (HxWxD) mm		65 x 30 x 46			77 x 29 x 46			77 x 29 x 46				
Weight		0.07kg			0.15kg			0.15kg				
Distance between mounting holes		54mm			64mm			64mm				

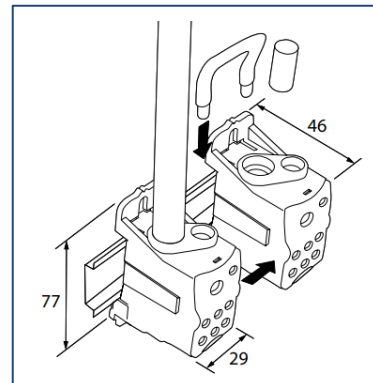
Information subject to change without notice



711.080



771.125



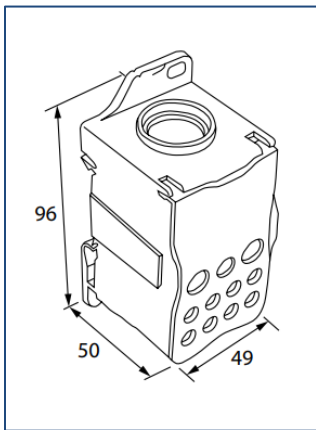
771.160



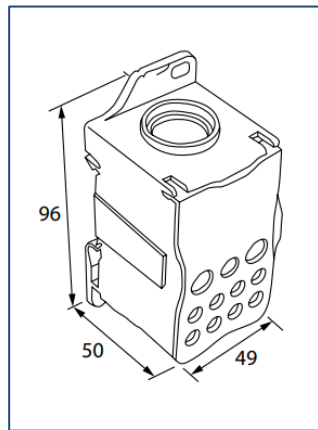
DTS Distribution Blocks (Order by Part No.)

Part No.	771.250			771.400			771.500				
Model	LK-250A			LK-400A			LK-500A				
Max current rating (UL)	255A			335A			520A				
Short term withstand current	24.5kA			24.5kA			24.5kA				
Peak short circuit current	51kA			51kA			51kA				
Max working voltage	690 V			690 V			600 V				
Input (AWG) / Torque	6-250MCM	1	19 N·m	3/0-400MCM	1	25 N·m	4x15.5x0.8 -8x24x1 busbar		10 N·m		
Output (AWG)	Wires	Torque	14-1	2	4.4 N·m	14-1 x2	2	4.4 N·m	14-1	2	4.4 N·m
			14-4	5	2.7 N·m	14-4 x5	5	2.7 N·m	14-4	5	2.7 N·m
			14-6	4	2.7 N·m	14-6	4	2.7 N·m	14-6	4	2.7 N·m
Dimensions (HxWxD) mm	96 x 49 x 50			96 x 49 x 50			96 x 49 x 50				
Weight	0.42kg			0.40kg			0.37kg				
Distance between mounting holes	85 x 29mm			85 x 29mm			85 x 29mm				

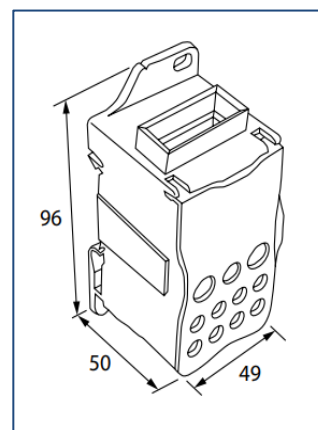
Information subject to change without notice



771.250






771.400



771.500



DTS Terminal Block Accessories (Order by Part No.)

Part No.	Image	Description
711.100J		Plug/Jumper for LK-125A and LK-150A DTS blocks
711.250C		Terminal lug adapter for LK-250A DTS blocks
711.400C		Terminal lug adapter for LK-400A DTS blocks

Information subject to change without notice