

Relay Modules



Compact, economical DIN rail mounted relay modules are now available at ITC.

These economical small relay modules are extremely popular, used as interface between PLCs and other control components, and the respective controlled devices (loads).

The new models can be mounted on all 35mm rail as well as on asymmetric 32mm rail. Connections are by means of screw-clamp terminal blocks mounted on the PCB, and accept wires 24- 14AWG. Part number 491.037 features a replaceable (plug-in) relay.



491.036

Features and specifications:

- Part No. **491.035**: 10A relay, with 1NO+1NC contact (form C), LED operating light indicator
- Part No. **491.036**: 3A relay, with 1 NO contact only (form A), LED operating light indicator
- Part No. **491.037**: 10A relay, plug-in relay with 1 NO+1NC (form C), LED operating light indicator
- Part No. **491.041**: replacement relay for 491.037
- Approvals: cULus, cURus, RoHS see table below



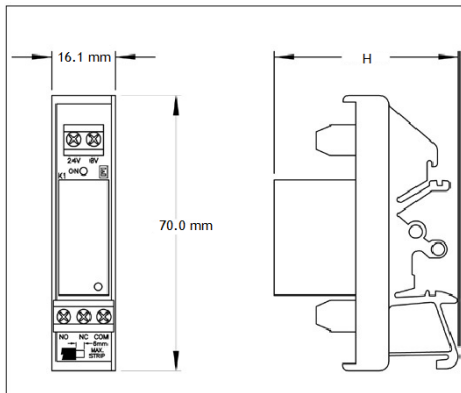
491.035

Relay Modules (Order by Part No.)

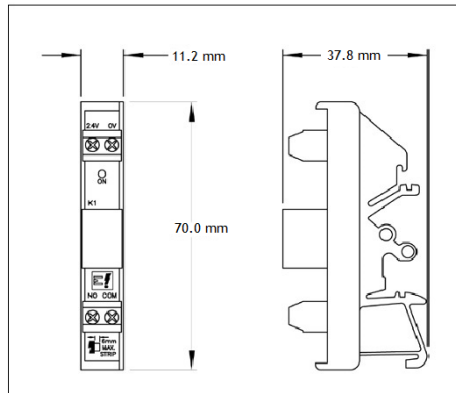
Part Number	491.035	491.036	491.037	491.041
Coil				
Voltage	24 VDC nominal, 18 VDC pick-up, 3.5 VDC drop out			
Current	20 mA	8.5 mA	20 mA	20 mA
Contacts				
Voltage	30 VDC or 250 VAC			
Current	10A	3A	10A	10A
Configuration	1 form C (SPDT)	1 form A (NO)	1 form C (SPDT)	1 form C (SPDT)
Contact material	silver alloy			
General				
Switching time (approx.)	15ms operate, 5ms release	10ms operate, 5ms release	15ms operate, 5ms release	15ms operate, 5ms release
Wire section/tightening torque	24-14 AWG, 0.4Nm torque			
Approvals	cULus, RoHS	cULus, RoHS	cURus, RoHS	cURus, RoHS
Dimensions (HxWxD mm)	46.7x16.1x70	37.8x11.2x70	59x16.1x70 (with clip)	20.6x12.3x29
Model	330235	330236	330235-S	330515

Information subject to change without notice

Dimensional drawings



491.035 & 491.037



491.036



491.037

H - 491.035 - 46.7mm, 491.037 - 59mm with clip