

Joysticks



The ECX4500 line of panel Joysticks are for mounting in a 22.5mm cut-out. This family consists of a 21 different models - 10 of them with a short lever (55mm total) and 10 with a long lever (79mm), plus a wobble-joystick option.

Features and Specifications

- Designed for 22.5mm round holes
- 20 joystick models and 1 wobble-joystick model
 - 2 heights: 55mm and 79mm
- 1, 2 or 4 positions
- Maintained or spring return positions
- ECX contact blocks (NC/NO) and ECX4029 mounting bases used
- Each joystick comes with a mounting base and appropriate number of contact blocks
- **Operating temperature:** -25 to 70°C
- **Ingress protection:** IP65
- **Approvals** (contact blocks): cULus



The wobble joystick (ECX4530) is actuated by lever movement in any direction; contacts are not included with this model.

Joysticks (Order by Part No.)

Part No.	Description
ECX4515	Joystick, 22.5mm mount, height=79mm, 1 position, spring return
ECX4516	Joystick, 22.5mm mount, height=79mm, 1 position, maintained
ECX4510	Joystick, 22.5mm mount, height=79mm, 2 positions, spring return
ECX4511	Joystick, 22.5mm mount, height=79mm, 2 positions, 1 maintained/1 spring return
ECX4512	Joystick, 22.5mm mount, height=79mm, 2 positions, maintained
ECX4520	Joystick, 22.5mm mount, height=79mm, 4 positions, spring return
ECX4521	Joystick, 22.5mm mount, height=79mm, 4 positions, 1 maintained/3 spring return
ECX4522	Joystick, 22.5mm mount, height=79mm, 4 positions, 2 maintained/2 spring return
ECX4523	Joystick, 22.5mm mount, height=79mm, 4 positions, 3 maintained/1 spring return
ECX4524	Joystick, 22.5mm mount, height=79mm, 4 positions, maintained
ECX4545	Joystick, 22.5mm mount, height=55mm, 1 position, spring return
ECX4546	Joystick, 22.5mm mount, height=55mm, 1 position, maintained
ECX4540	Joystick, 22.5mm mount, height=55mm, 2 positions, spring return
ECX4541	Joystick, 22.5mm mount, height=55mm, 2 positions, 1 maintained/1 spring return
ECX4542	Joystick, 22.5mm mount, height=55mm, 2 positions, maintained
ECX4550	Joystick, 22.5mm mount, height=55mm, 4 positions, spring return
ECX4551	Joystick, 22.5mm mount, height=55mm, 4 positions, 1 maintained/3 spring return
ECX4552	Joystick, 22.5mm mount, height=55mm, 4 positions, 2 maintained/2 spring return
ECX4553	Joystick, 22.5mm mount, height=55mm, 4 positions, 3 maintained/1 spring return
ECX4554	Joystick, 22.5mm mount, height=55mm, 4 positions, maintained
ECX4530	Joystick - Wobble, 22.5mm mount, height=68mm, 1 position any direction, contacts required



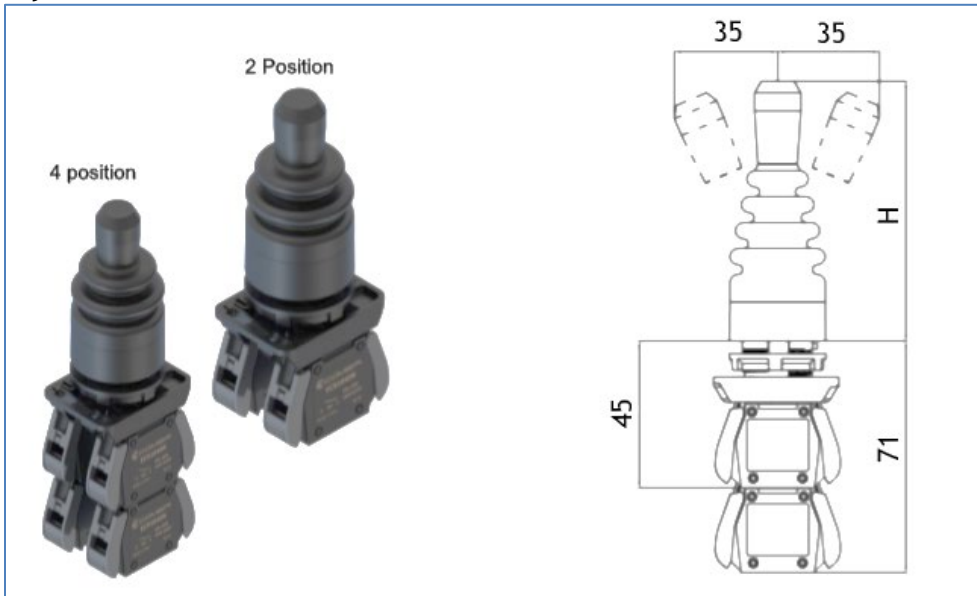
Information subject to change without notice

Joystick Accessories (Order by Part No.)

Part No.	Description
ECX4029	Mounting bases for ECX4000 series
ECX1030N	Contact block, NC, marked 1/2, Red
ECX1040N	Contact block, NO, marked 3/4, Green
ECX1041N	Contact block, NC, marked 1/2, Grey, for use on 4 position joysticks only with ECX1040N

Information subject to change without notice

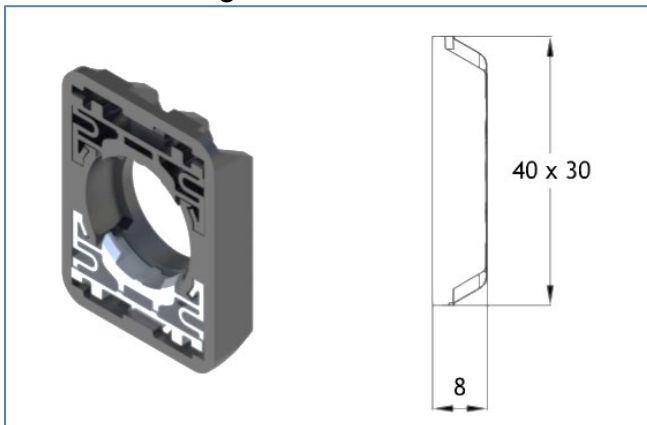
Joystick Dimensions



H - is either 55 or 79mm dependent on model

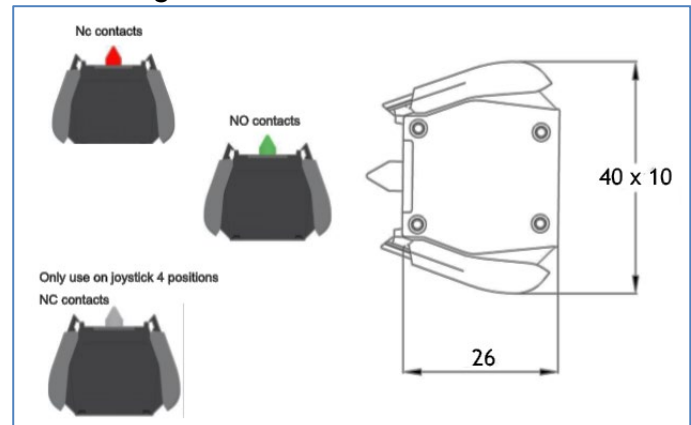
Information subject to change without notice

ECX4029 Mounting Base Dimensions



Information subject to change without notice

Latch Fixing Contact Dimensions



Information subject to change without notice