

# SEL Elevator Door Switches

SEL switches are low-profile simple door switches with separate actuator, specially designed to monitor the position of sliding doors, in particular elevator doors. For many years all around the world, the BERNSTEIN SEL elevator door switches have been an integral part of the lift industry. SEL switches and their actuators are now available from stock in Canada.

The concept of these switches is straightforward: a fixed device, containing the contact, is mounted on the door frame or jamb; a door-mounted actuator, which precisely matches the fixed device, operates the contact when the door is closed.

There are 3 types of SEL switches, with differing features (see other side of page).

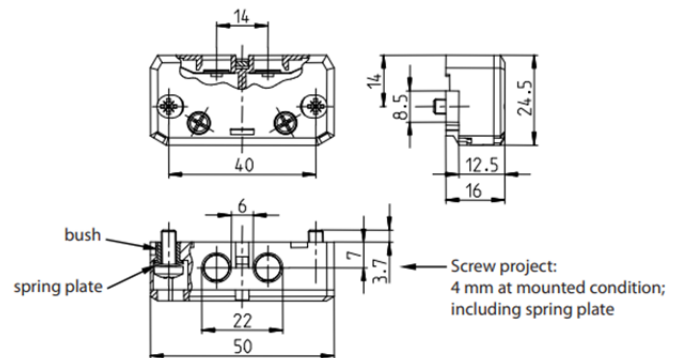


The self-wiping contact plates are designed so that they move with each operation, maintaining the reliability of the contacts.

## Features and Specifications

- **Electrical data:**
  - **Rated operating current:** 2A AC/DC
  - **Rated operating voltage:** 230VAC / 200VDC
  - **Type of contact:** 1NC
  - **Connection:** 2 screws M3.5 - single wire 0.5-1.5mm<sup>2</sup>
- **Mechanical data:**
  - **Mechanical life:** 10 x 10<sup>6</sup>
  - **Switching frequency:** < 30/min.
  - **Ingress protection:** IP20
  - **Material: Contact:** PC (UL 94-V0); **Actuator:** PA 6.6

- **Dimensions (HxWxD):**
  - SEL1: 16x50x24.5mm
  - SEL2: 19x50x24.5mm
  - SEL3: 15x50x24.5mm
  - **Distance between mounting screws:** 40mm
- **Approvals:** cULus (#SA45003), cCSAus (#018950)



SEL1 Dimensions

**SEL Series Elevator Door Switches & Actuators (Order by Part Number)**

Part Number	Model	Housing	Picture	Differentiator
BE601.6369.045	SEL1-A1Z P	Transparent/Red		2 Contact holes
BE601.6369.038	SEL1-A1Z P	Transparent		
BE601.6369.125	SEL1-A1Z PLO	Transparent/Red		2 Contact pins
BE601.6369.037	SEL1-A1Z PL	Transparent		
BE601.6369.164	SEL1-A1Z P	Transparent/red		2 Contact holes Long mounting screws (+6.7mm)
BE601.6369.049	SEL2-A1Z P	Transparent		2 Contact holes Cable duct on the bottom
BE601.6369.031	SEL2-A1Z PLO	Transparent/red		2 Contact pins Cable duct on the bottom
BE601.6369.173	SEL3-A1Z P	Transparent/red		2 Contact holes Only 15mm high with inclined corners
BE391.1462.082	P0-BET	Black PA 6.6		Actuator; 12x41x18mm, 2 pins
BE391.1462.088	P1-BET	Black PA 6.6		Actuator; 9x40x40mm, 2 pins
BE391.1462.155	P3-BET	Black PA 6.6		Actuator; 9.5x40x40mm, 2 pins
BE391.1462.094	PL1-BET	Black PA 6.6		Actuator; 12x40x30mm, plate

Information subject to change without notice

Note: Actuators must not be used as end stops. Only use the door switches of the SEL series with the P..-BET actuators.