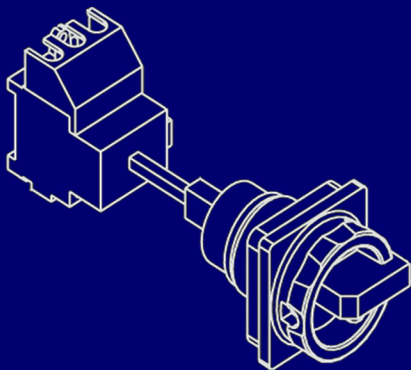
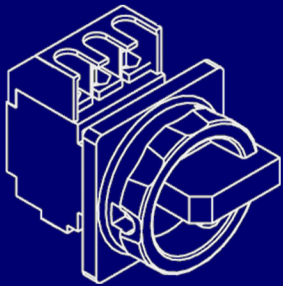


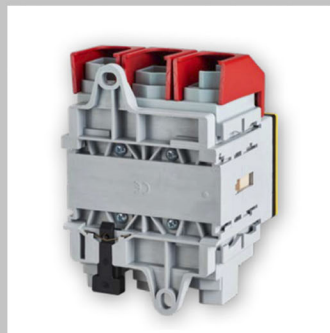


Electrical Components



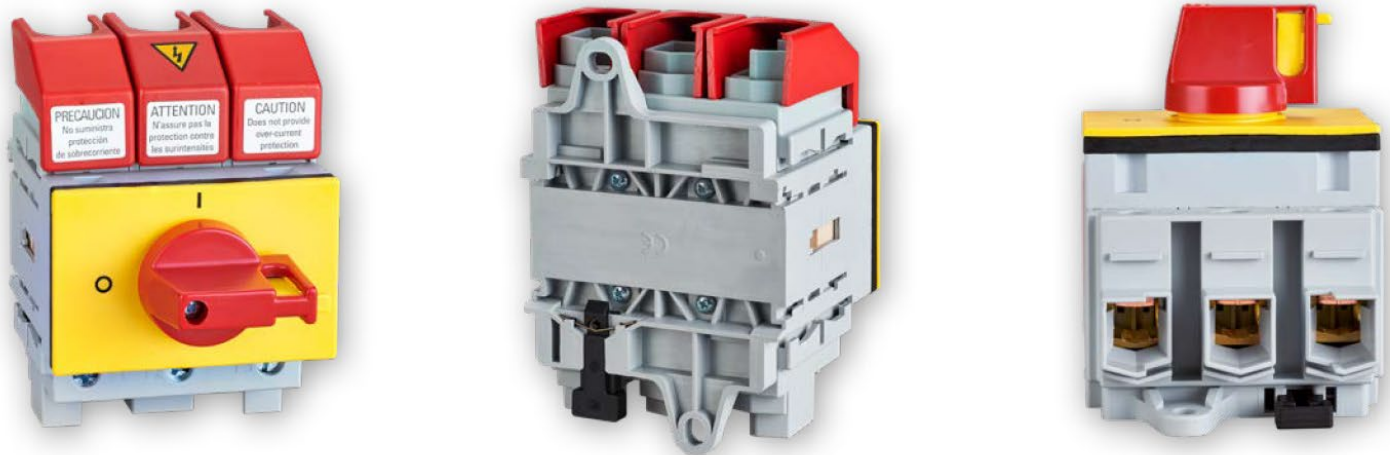
LX Series UL489 Disconnect Switches

- Door Mount, DIN Mount and Panel Mount
 - 3 and 4 Poles
 - Various Handle Styles



LX series UL489 Disconnect Switches

ITC now offers a new family of disconnect switches complying with UL489 Standard, rated 30A to 150A. UL489 is the standard which covers molded case circuit breakers, motor circuit protectors, molded case switches and miniature circuit breakers. This means that UL489-complying disconnect switches can be used as “main disconnectors”.



Features and specifications:

- More compact than UL98 switches and their molded case switches
- High Short-Circuit Current Rating (SCCR)
- Improved clearance and creepage distances
- Same auxiliary and neutral contacts as the NL series
- Available with 3 or 4 poles
- 3 mounting modes available:
 - Mounting type E: Door mount, 4 + 1 holes
 - Mounting type T: DIN Rail mount
 - Mounting type V: Panel mount, door coupling
- **Sizes available:** 30 / 60 / 100 / 125 / 150A (UL/CSA)
- **Rated operating current (UL):** 30 to 150A
- **Rated operating voltage (UL):** 480VAC
- **Operating temperature:** -25 to 55°C
- **Electrical life:** 6,000 cycles at 690VAC
- **Ingress protection (front):** IP20
- **Approvals:** UL (E501034), CSA (166564)



LX Disconnect Switches - ratings

Part No.	LBS-NLX80	LBS-NLX125	LBS-NLX160	LBS-NLX180	LBS-NLX250
Nominal (Rated) Current (UL)	30A	60A	100A	125A	150A
Operating Voltage (50/60Hz)	480V	480V	480V	480V	480V
Permanent current, upstream J fuse	30A (J or CC)	60A	100A	125A	160A
Effective power (AC480V)	20HP	30HP	60HP	75HP	100HP
SCCR at 480V (CSA)	50kA	50kA	65kA	65kA	50kA
Wire section (CSA)	12-8AWG	10-4AWG	2-2/0AWG	3-2/0AWG	3-2/0AWG
Wire section (UL)	14-6AWG	12-1AWG	3AWG-400MCM	1AWG-400MCM	1AWG-400MCM
Wire Section (IEC) mm ² (solid/stranded)	2.5-35mm ²	4-50mm ²	16-185mm ²	16-185mm ²	16-185mm ²

Information subject to change without notice

Naming convention for Limit Switches

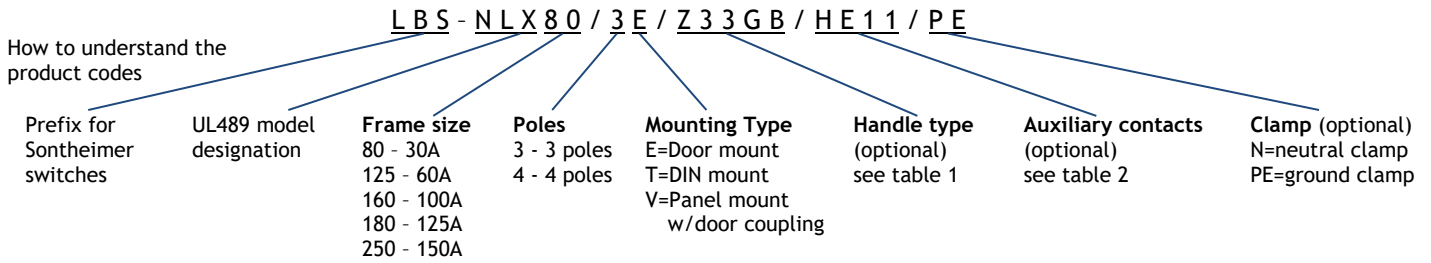


Table 1 - Handle Types*

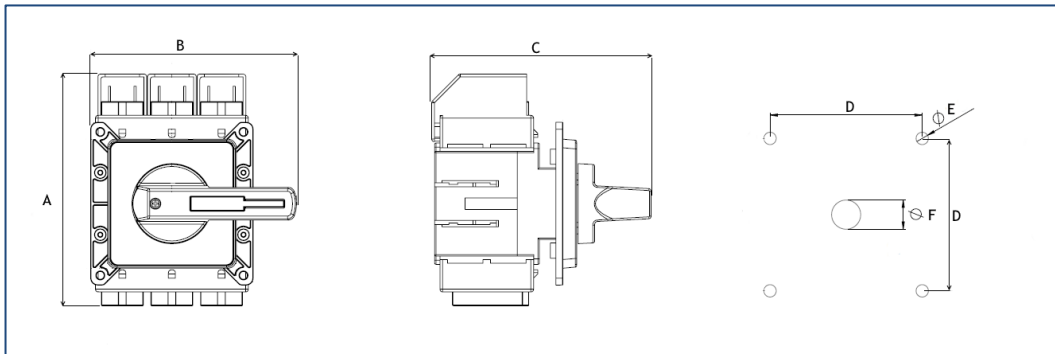
Code	Type	Colour
Z20S	Lockable handle	Black
Z20GB	Lockable handle	Red/yellow
Z20Ti	Lockable handle	Grey (special request)
Z33S	Round lockable handle	Black
Z33GB	Round lockable handle	Red/yellow
Z33Ti	Round lockable handle	Grey (special request)

* Z20GB handle supplied if this code is missing

Table 2 - Auxiliary contacts (optional)

Code	Mounting	Contacts	For mounting types
HV11	Side mounting	1NC+1NO	Type V
HV02	Side mounting	2NC	Type V
HV20	Side mounting	2NO	Type V
HE11	Side mounting	1NC+1NO	Type E and T
HE02	Side mounting	2NC	Type E and T
HE20	Side mounting	2NO	Type E and T
HX..	On shaft	Consult ITC	Type E, T and V

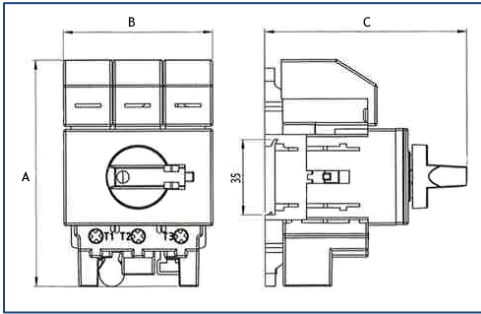
E Series - Door mount switches



E Series Dimensions

	LBS-NLX80	LBS-NLX125	LBS-NLX160	LBS-NLX180	LBS-NLX250
Height (A)	95.5mm	95.5mm	168mm	168mm	168mm
Width (B)	66.4mm	66.4mm	118mm	118mm	118mm
Depth (C)	58.5mm	61mm	95mm	95mm	95mm
Hole separation (D)	48x48	48x48	68x68	68x68	68x68
Corner hole diameters (E)	4.5mm	4.5mm	5.5mm	5.5mm	5.5mm
Centre hole diameter (F)	10mm	10mm	13mm	13mm	13mm

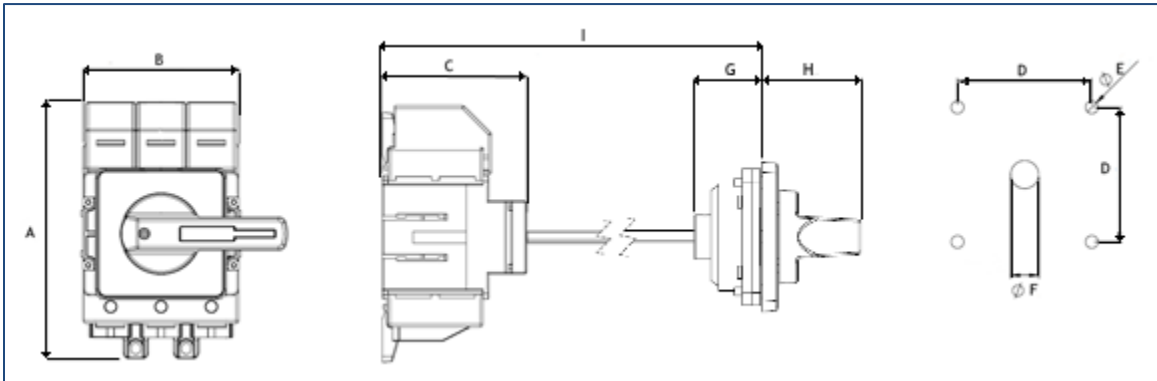
T Series - DIN mount switches



T Series Dimensions

	LBS-NLX80	LBS-NLX125	LBS-NLX160	LBS-NLX180	LBS-NLX250
Height (A)	96mm	106mm	178mm	178mm	178mm
Width (B)	60mm	70mm	113mm	113mm	113mm
Depth (C)	92mm	95mm	158mm	158mm	158mm

V Series - Panel mount switches

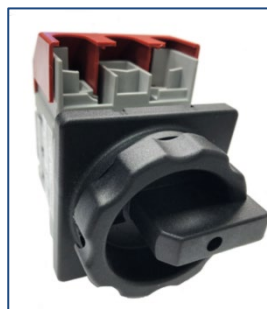


V Series Dimensions

	LBS-NLX80	LBS-NLX125	LBS-NLX160	LBS-NLX180	LBS-NLX250
Height (A)	66.4mm	64.4mm	168mm	168mm	168mm
Width (B)	66.4mm	66.4mm	111mm	111mm	111mm
Depth (C)	68.5mm	68.5mm	103.5mm	103.5mm	103.5mm
Hole separation (D)	48x48	48x48	68x68	68x68	68x68
Corner hole diameters (E)	4.5mm	4.5mm	5.5mm	5.5mm	5.5mm
Centre hole diameter (F)	10mm	10mm	13mm	13mm	13mm
Handle inner depth (G)	77mm	77mm	44mm	44mm	44mm
Handle outer depth (H)	34mm	34mm	64mm	64mm	64mm
Total inner depth (I)	391mm	392mm	392.5mm	392.5mm	392.5mm



LBS-Z33 Handle



Available in black



LBS-Z20 Handle