

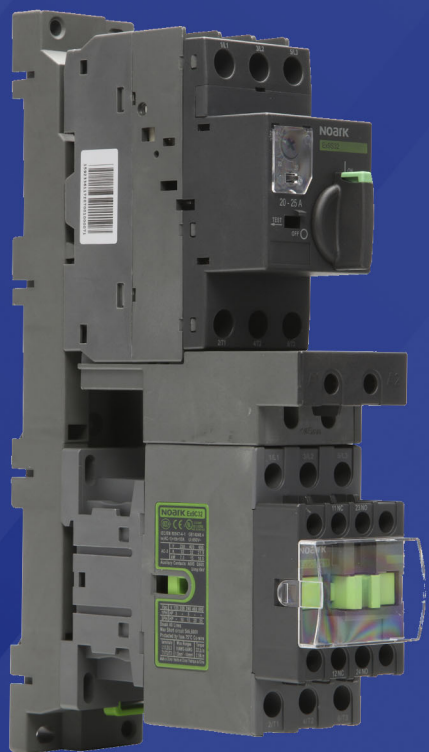
NOARK[®]



**ELECTRICAL
COMPONENTS**

**Ex9C series
IEC Contactors**

- 9A to 500A, 3 poles
- Auxiliary contact blocks
- Interlocks
- Timer blocks
- Overload relays



Ex9C IEC Contactors, Overloads and Accessories

Ex9C series contactors are suitable for a broad range of motor control applications. With many available accessories and options, these contactors have ampacity ratings from 9A to 1000A at 600Vac and can be applied in systems up to 600Vac. A range of overload relays are available in a variety of frame sizes to fit respective contactors of given rated current.



Features

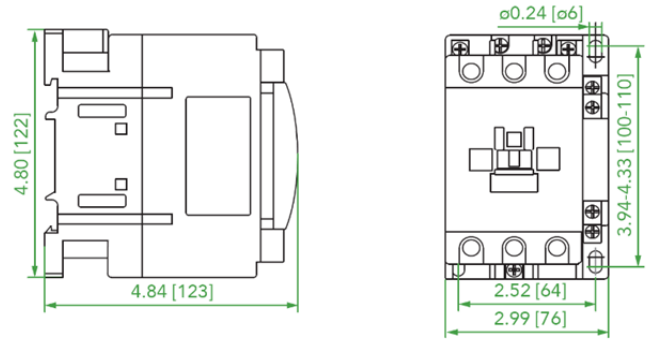
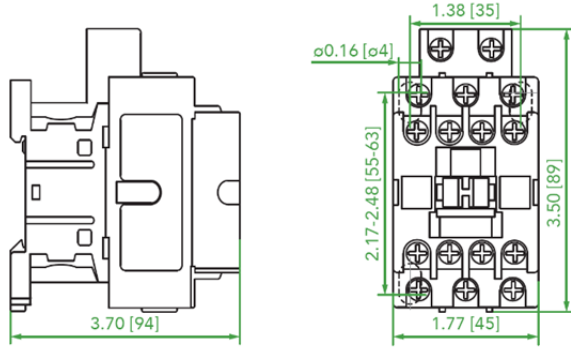
- 22 models of contactors, with ratings from 9A to 1000A, plus versions with wide range coils
 - **HP ratings 1-phase:** up to 40HP @200-208 VAC
 - **HP ratings 3-phase:** up to 800HP @550-600 VAC
- Coil voltages from 24 to 600VAC, 50/60Hz
- Wide range AC/DC coil versions available for 9-500A contactors
- **3 poles**
- Built-in NO and NC auxiliary contacts
- All contactors are Full Voltage Non-Reversing (**FVNR**) standard; **FVR** available upon request
 - FVR contactors can be assembled using 2 FVNR contactors, bus-bars and a mechanical interlock
- DIN rail and panel mountable
- IP rating: 9A - 50A: IP20 control circuit terminal, IP00 main circuit terminal
 - 65A - 500A: IP20
 - 630A - 1000A: IP20 control circuit terminal, IP00 main circuit terminal
- Wire connection by screw-clamp: accepts solid or stranded wire (with or without ferrule)
- Compatible with Ex9R series thermal overload relays
- Accessories include spare coils, auxiliary contact blocks, interlocks, DIN adapters for overload relays
- Other sizes available to 1000A; consult ITC
- Production standards : IEC/EN 60947-4-1
- **Approvals:** cULus - UL508, CSA C22.2 No. 14

Contactors Dimensions - Standard

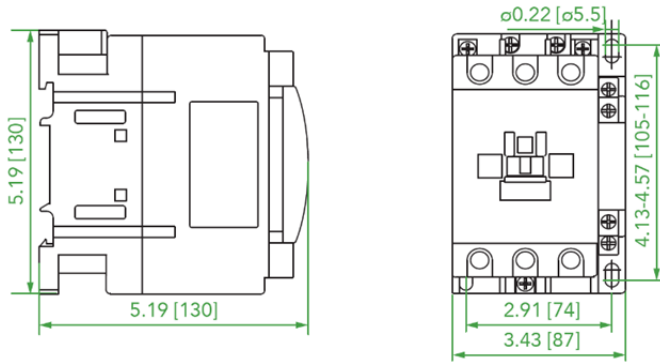
Consult ITC for dimensions of contactors with wide range AC/CD coils.

Ex9C 09A - 38A

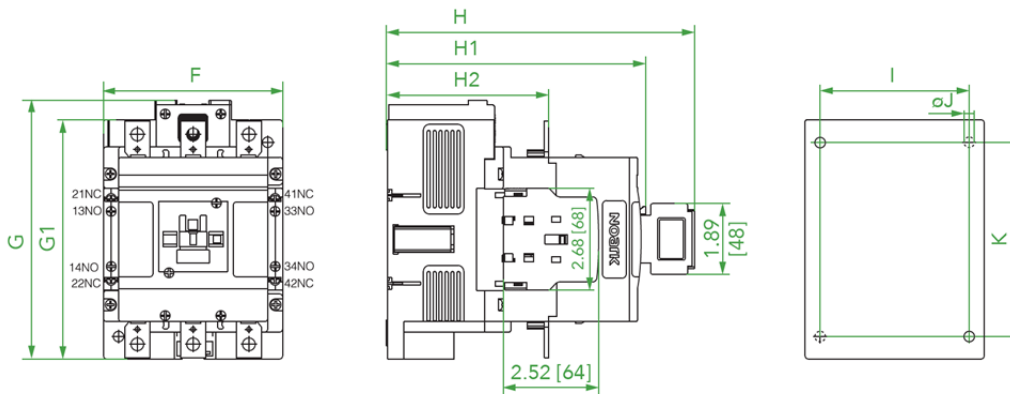
Ex9C 40A - 65A



Ex9C 80A - 100A



Ex9C 115A - 500A



Dimensions - inches (mm)

Contactor	F	G	G1	H	H1	H2	I	J*	K
Ex9C115-185	4.75 (120)	6.81 (173)	6.30 (160)	8.07 (205)	6.85 (174)	4.25 (108)	3.94 (100)	Ø0.28 (Ø7)	5.12 (130)
Ex9C225-3005	5.71 (145)	8.35 (212)	7.87 (200)	9.41 (239)	8.15 (207)	5.28 (134)	4.72 (120)	Ø0.35 (Ø9)	7.09 (180)
Ex9C400-500	6.30 (160)	8.58 (218)	7.87 (200)	10.28 (261)	9.02 (229)	5.94 (151)	5.12 (130)	Ø0.35 (Ø9)	7.09 (180)

* Ex9C115-185 has only two mounting holes as broken circles and the other types have four mounting holes

9A - 38A Contactors

9A - 38A Contactors with a Set Coil Voltage, 3 Poles - 1NO + 1NC Auxiliary (Order by Part No.)

Coil Voltage (VAC)	9A	12A	18A	25A	32A	38A
24	Ex9C0911B7	Ex9C1211B7	Ex9C1811B7	Ex9C2511B7	Ex9C3211B7	Ex9C3811B7
36	Ex9C0911C7 *	Ex9C1211C7 *	Ex9C1811C7 *	Ex9C2511C7 *	Ex9C3211C7 *	Ex9C3811C7 *
42	Ex9C0911D7 *	Ex9C1211D7 *	Ex9C1811D7 *	Ex9C2511D7 *	Ex9C3211D7 *	Ex9C3811D7 *
48	Ex9C0911E7 *	Ex9C1211E7 *	Ex9C1811E7 *	Ex9C2511E7 *	Ex9C3211E7 *	Ex9C3811E7 *
110	Ex9C0911F7 *	Ex9C1211F7 *	Ex9C1811F7 *	Ex9C2511F7 *	Ex9C3211F7 *	Ex9C3811F7 *
120	Ex9C0911G7	Ex9C1211G7	Ex9C1811G7	Ex9C2511G7	Ex9C3211G7	Ex9C3811G7
208	Ex9C0911X7 *	Ex9C1211X7 *	Ex9C1811X7 *	Ex9C2511X7 *	Ex9C3211X7 *	Ex9C3811X7 *
220	Ex9C0911M7	Ex9C1211M7	Ex9C1811M7	Ex9C2511M7	Ex9C3211M7	Ex9C3811M7
230	Ex9C0911P7 *	Ex9C1211P7 *	Ex9C1811P7 *	Ex9C2511P7 *	Ex9C3211P7 *	Ex9C3811P7 *
240	Ex9C0911U7	Ex9C1211U7	Ex9C1811U7	Ex9C2511U7	Ex9C3211U7	Ex9C3811U7
277	Ex9C0911N7 *	Ex9C1211N7 *	Ex9C1811N7 *	Ex9C2511N7 *	Ex9C3211N7 *	Ex9C3811N7 *
380	Ex9C0911Q7	Ex9C1211Q7	Ex9C1811Q7	Ex9C2511Q7	Ex9C3211Q7	Ex9C3811Q7
400	Ex9C0911V7 *	Ex9C1211V7 *	Ex9C1811V7 *	Ex9C2511V7 *	Ex9C3211V7 *	Ex9C3811V7 *
415	Ex9C0911Z7 *	Ex9C1211Z7 *	Ex9C1811Z7 *	Ex9C2511Z7 *	Ex9C3211Z7 *	Ex9C3811Z7 *
440	Ex9C0911R7 *	Ex9C1211R7 *	Ex9C1811R7 *	Ex9C2511R7 *	Ex9C3211R7 *	Ex9C3811R7 *
480	Ex9C0911T7 *	Ex9C1211T7 *	Ex9C1811T7 *	Ex9C2511T7 *	Ex9C3211T7 *	Ex9C3811T7 *
500	Ex9C0911 S7 *	Ex9C1211 S7 *	Ex9C1811S7 *	Ex9C2511S7 *	Ex9C3211S7 *	Ex9C3811S7 *
600	Ex9C0911Y7	Ex9C1211Y7	Ex9C1811Y7	Ex9C0911Y7	Ex9C3211Y7	Ex9C3811Y7

Information subject to change without notice

* Special request only

9A - 38A Contactors with a Set Coil Voltage, 3 Poles - 2NO + 2NC Auxiliary (Order by Part No.)

Coil Voltage (VAC)	9A	12A	18A	25A	32A	38A
24	Ex9C0922B7	Ex9C1222B7	Ex9C1822B7	Ex9C2522B7	Ex9C3222B7	Ex9C3822B7
36	Ex9C0922C7 *	Ex9C1222C7 *	Ex9C1822C7 *	Ex9C2522C7 *	Ex9C3222C7 *	Ex9C3822C7 *
42	Ex9C0922D7 *	Ex9C1222D7 *	Ex9C1822D7 *	Ex9C2522D7 *	Ex9C3222D7 *	Ex9C3822D7 *
48	Ex9C0922E7 *	Ex9C1222E7 *	Ex9C1822E7 *	Ex9C2522E7 *	Ex9C3222E7 *	Ex9C3822E7 *
110	Ex9C0922F7 *	Ex9C1222F7 *	Ex9C1822F7 *	Ex9C2522F7 *	Ex9C3222F7 *	Ex9C3822F7 *
120	Ex9C0922G7	Ex9C1222G7	Ex9C1822G7	Ex9C2522G7	Ex9C3222G7	Ex9C3822G7
208	Ex9C0922X7 *	Ex9C1222X7 *	Ex9C1822X7 *	Ex9C2522X7 *	Ex9C3222X7 *	Ex9C3822X7 *
220	Ex9C0922M7	Ex9C1222M7	Ex9C1822M7	Ex9C2522M7	Ex9C3222M7	Ex9C3822M7
230	Ex9C0922P7 *	Ex9C1222P7 *	Ex9C1822P7 *	Ex9C2522P7 *	Ex9C3222P7 *	Ex9C3822P7 *
240	Ex9C0922U7	Ex9C1222U7	Ex9C1822U7	Ex9C2522U7	Ex9C3222U7	Ex9C3822U7
277	Ex9C0922N7 *	Ex9C1222N7 *	Ex9C1822N7 *	Ex9C2522N7 *	Ex9C3222N7 *	Ex9C3822N7 *
380	Ex9C0922Q7	Ex9C1222Q7	Ex9C1822Q7	Ex9C2522Q7	Ex9C3222Q7	Ex9C3822Q7
400	Ex9C0922V7 *	Ex9C1222V7 *	Ex9C1822V7 *	Ex9C2522V7 *	Ex9C3222V7 *	Ex9C3822V7 *
415	Ex9C0922Z7 *	Ex9C1222Z7 *	Ex9C1822Z7 *	Ex9C2522Z7 *	Ex9C3222Z7 *	Ex9C3822Z7 *
440	Ex9C0922R7 *	Ex9C1222R7 *	Ex9C1822R7 *	Ex9C2522R7 *	Ex9C3222R7 *	Ex9C3822R7 *
480	Ex9C0922T7 *	Ex9C1222T7 *	Ex9C1822T7 *	Ex9C2522T7 *	Ex9C3222T7 *	Ex9C3822T7 *
500	Ex9C0922 S7 *	Ex9C1222 S7 *	Ex9C1822S7 *	Ex9C2522S7 *	Ex9C3222S7 *	Ex9C3822S7 *
600	Ex9C0922Y7	Ex9C1222Y7	Ex9C1822Y7	Ex9C2522Y7	Ex9C3222Y7	Ex9C3822Y7

Information subject to change without notice

* Special request only

9A - 38A Contactors - Wide Range AC/DC Voltage Coil, 3 Poles, 1NO+1NC Auxiliary (Order by Part No.)

Coil Voltage (VAC)	9A	12A	18A	25A	32A	38A
24 - 60	Ex9C09F11J *	Ex9C12F11J *	Ex9C18F11J *	Ex9C25F11J *	Ex9C32F11J *	Ex9C38F11J *
48 - 130	Ex9C09F11H *	Ex9C12F11H *	Ex9C18F11H *	Ex9C25F11H *	Ex9C32F11H *	Ex9C38F11H *
100 - 250	Ex9C09F11K *	Ex9C12F11K *	Ex9C18F11K *	Ex9C25F11K *	Ex9C32F11K *	Ex9C38F11K *

Information subject to change without notice

* Special request only

9A - 38A Contactors - Wide Range AC/DC Voltage Coil, 3 Poles, 2NO+2NC Auxiliary (Order by Part No.)

Coil Voltage (VAC)	9A	12A	18A	25A	32A	38A
24 - 60	Ex9C09F22J *	Ex9C12F22J *	Ex9C18F22J *	Ex9C25F22J *	Ex9C32F22J *	Ex9C38F22J *
48 - 130	Ex9C09F22H *	Ex9C12F22H *	Ex9C18F22H *	Ex9C25F22H *	Ex9C32F22H *	Ex9C38F22H *
100 - 250	Ex9C09F22K *	Ex9C12F22K *	Ex9C18F22K *	Ex9C25F22K *	Ex9C32F22K *	Ex9C38F22K *

Information subject to change without notice

* Special request only

9A - 38A Contactors Technical Characteristics

		9A	12A	18A	25A	32A	38A
Rated Insulation Voltage	VAC	690	690	690	690	690	690
Electrical life (AC3), 380/400V	Operations	1,200,000	1,200,000	1,200,000	1,200,000	1,200,000	1,200,000
Mechanical life	Operations	10,000,000	10,000,000	10,000,000	10,000,000	10,000,000	10,000,000
Operating frequency (AC3)	Operations/h	1,200	1,200	1,200	1,000	1,000	1,000
Operating frequency (AC4)	Operations/h	300	300	300	150	150	150

Information subject to change without notice

9A - 38A Contactors HP Ratings - line voltage

9A		110-120V	208-240V	220-240V	440-480V	550-600V
1-phase	HP	0.5	-	1.5	-	-
3-phase	HP	-	3	3	5	7.5
12A		110-120V	208-240V	220-240V	440-480V	550-600V
1-phase	HP	1	-	2	-	-
3-phase	HP	-	3	3	7.5	10
18A		110-120V	208-240V	220-240V	440-480V	550-600V
1-phase	HP	1.5	-	3	-	-
3-phase	HP	-	5	5	10	15
25A		110-120V	208-240V	220-240V	440-480V	550-600V
1-phase	HP	2	-	3	-	-
3-phase	HP	-	7.5	7.5	15	20
32A		110-120V	208-240V	220-240V	440-480V	550-600V
1-phase	HP	3	-	5	-	-
3-phase	HP	-	10	10	20	25
38A		110-120V	208-240V	220-240V	440-480V	550-600V
1-phase	HP	3	-	5	-	-
3-phase	HP	-	10	10	20	25

Information subject to change without notice



See Page 3 for dimensions.

Overload relay types - Ex9R38B - see page 10.

40A - 100A Contactors

40A - 100A Contactors with a Set Coil Voltage, 3 Poles - 1NO + 1NC Auxiliary (Order by Part No.)

Coil Voltage (VAC)	40A	50A	65A	80A	100A
24	Ex9C4011B7	Ex9C5011B7	Ex9C6511B7	Ex9C8011B7	Ex9C10011B7
36	Ex9C4011C7 *	Ex9C5011C7 *	Ex9C6511C7 *	Ex9C8011C7 *	Ex9C10011C7 *
42	Ex9C4011D7 *	Ex9C5011D7 *	Ex9C6511D7 *	Ex9C8011D7 *	Ex9C10011D7 *
48	Ex9C4011E7 *	Ex9C5011E7 *	Ex9C6511E7 *	Ex9C8011E7 *	Ex9C10011E7 *
110	Ex9C4011F7 *	Ex9C5011F7 *	Ex9C6511F7 *	Ex9C8011F7 *	Ex9C10011F7 *
120	Ex9C4011G7	Ex9C5011G7	Ex9C6511G7	Ex9C8011G7	Ex9C10011G7
208	Ex9C4011X7 *	Ex9C5011X7 *	Ex9C6511X7 *	Ex9C8011X7 *	Ex9C10011X7 *
220	Ex9C4011M7	Ex9C5011M7	Ex9C6511M7	Ex9C8011M7	Ex9C10011M7
230	Ex9C4011P7 *	Ex9C5011P7 *	Ex9C6511P7 *	Ex9C8011P7 *	Ex9C10011P7 *
240	Ex9C4011U7	Ex9C5011U7	Ex9C6511U7	Ex9C8011U7	Ex9C10011U7
277	Ex9C4011N7 *	Ex9C5011N7 *	Ex9C6511N7 *	Ex9C8011N7 *	Ex9C10011N7 *
380	Ex9C4011Q7	Ex9C5011Q7	Ex9C6511Q7	Ex9C8011Q7	Ex9C10011Q7
400	Ex9C4011V7 *	Ex9C5011V7 *	Ex9C6511V7 *	Ex9C8011V7 *	Ex9C10011V7 *
415	Ex9C4011Z7 *	Ex9C5011Z7 *	Ex9C6511Z7 *	Ex9C8011Z7 *	Ex9C10011Z7 *
440	Ex9C4011R7 *	Ex9C5011R7 *	Ex9C6511R7 *	Ex9C8011R7 *	Ex9C10011R7 *
480	Ex9C4011T7 *	Ex9C5011T7 *	Ex9C6511T7 *	Ex9C8011T7 *	Ex9C10011T7 *
500	Ex9C4011S7 *	Ex9C5011S7 *	Ex9C6511S7 *	Ex9C8011S7 *	Ex9C10011S7 *
600	Ex9C4011Y7	Ex9C5011Y7	Ex9C6511Y7	Ex9C8011Y7	Ex9C10011Y7

Information subject to change without notice
 * Special request only

40A - 100A Contactors - Wide Range AC/DC Voltage Coil, 3 Poles - 1NO+1NC Auxiliary (Order by Part No.)

	40A	50A	65A	80A	100A
24 - 60	Ex9C40F11J *	Ex9C50F11J *	Ex9C65F11J *	Ex9C80F11J *	Ex9C40F11J *
48 - 130	Ex9C40F11H *	Ex9C50F11H *	Ex9C65F11H *	Ex9C80F11H *	Ex9C40F11H *
100 - 250	Ex9C40F11K *	Ex9C50F11K *	Ex9C65F11K *	Ex9C80F11K *	Ex9C40F11K *

Information subject to change without notice
 * Special request only



40A - 100A Contactors Technical Characteristics

		40A	50A	65A	80A	100A
Rated Insulation Voltage	VAC	1,000	1,000	690	690	690
Electrical life (AC3), 380/400V	Operations	1,200,000	1,200,000	1,200,000	1,200,000	1,200,000
Mechanical life	Operations	10,000,000	10,000,000	10,000,000	10,000,000	10,000,000
Operating frequency (AC3)	Operations/h	1,000	1,000	1,200	1,200	1,200
Operating frequency (AC4)	Operations/h	120	120	300	300	300

Information subject to change without notice

40A - 100A Contactors HP Ratings - line voltage

40A		110-120V	208-240V	220-240V	440-480V	550-600V
1-phase	HP	3	-	7.5	-	-
3-phase	HP	-	10	15	30	30
50A		110-120V	208-240V	220-240V	440-480V	550-600V
1-phase	HP	5	-	10	-	-
3-phase	HP	-	15	20	40	40
65A		110-120V	208-240V	220-240V	440-480V	550-600V
1-phase	HP	5	-	15	-	-
3-phase	HP	-	20	25	50	50
80A		110-120V	208-240V	220-240V	440-480V	550-600V
1-phase	HP	7.5	-	20	-	-
3-phase	HP	-	30	30	60	60
100A		110-120V	208-240V	220-240V	440-480V	550-600V
1-phase	HP	10	-	20	-	-
3-phase	HP	-	30	40	60	60

Information subject to change without notice



See Page 3 for dimensions.

Overload relay types - Ex9R100B - see page 10.

115A - 225A Contactors

115A - 225A Contactors Technical Characteristics

		115	150	185	225
Rated Insulation Voltage	VAC	1,000	1,000	1,000	1,000
Electrical life (AC3), 380/400V	Operations	1,000,000	1,000,000	1,000,000	1,000,000
Mechanical life	Operations	8,000,000	8,000,000	8,000,000	8,000,000
Operating frequency (AC3)	Operations/h	900	750	750	500
Operating frequency (AC4)	Operations/h	130	130	130	130

Information subject to change without notice

115A - 225A Contactors HP Ratings - line voltage

115A		110-120V	208-240V	220-240V	440-480V	550-600V
1-phase	HP	15	-	25	-	-
3-phase	HP	-	40	50	100	125
150A		110-120V	208-240V	220-240V	440-480V	550-600V
1-phase	HP	-	-	30	-	-
3-phase	HP	-	50	60	125	150
185A		110-120V	208-240V	220-240V	440-480V	550-600V
1-phase	HP	-	-	40	-	-
3-phase	HP	-	60	75	150	200
225A		110-120V	208-240V	220-240V	440-480V	550-600V
1-phase	HP	-	-	-	-	-
3-phase	HP	-	60	75	150	200

Information subject to change without notice



115A - 225A Contactors with Set Coil Voltage (Order by Part No.)

Coil Voltage (VAC)	Part No. 115A	Part No. 150A	Part No. 185A	Part No. 225A
3 poles (2NO + 2NC Auxiliary)				
24	Ex9C115E22B	Ex9C150E22B	Ex9C185E22B	Ex9C225E22B
36	Ex9C115E22C *	Ex9C150E22C *	Ex9C185E22C *	Ex9C225E22C *
42	Ex9C115E22D *	Ex9C150E22D *	Ex9C185E22D *	Ex9C225E22D *
48	Ex9C115E022E *	Ex9C150E22E *	Ex9C185E22E *	Ex9C225E22E *
110	Ex9C115E22F *	Ex9C150E22F *	Ex9C185E22F *	Ex9C225E22F *
120	Ex9C115E22G	Ex9C150E22G	Ex9C185E22G	Ex9C225E22G
208	Ex9C115E22X *	Ex9C150E22X *	Ex9C185E22X *	Ex9C225E22X *
220	Ex9C115E22M	Ex9C150E22M	Ex9C185E22M	Ex9C225E22M
230	Ex9C115E22P *	Ex9C150E22P *	Ex9C185E22P *	Ex9C225E22P *
240	Ex9C115E22U	Ex9C150E22U	Ex9C185E22U	Ex9C225E22U
277	Ex9C115E22N *	Ex9C150E22N *	Ex9C185E22N *	Ex9C225E22N *
380	Ex9C115E22Q	Ex9C150E22Q	Ex9C185E22Q	Ex9C225E22Q
400	Ex9C115E22V *	Ex9C150E22V *	Ex9C185E22V *	Ex9C225E22V *
415	Ex9C411E522Z *	Ex9C150E22Z *	Ex9C185E22Z *	Ex9C225E22Z *
480	Ex9C115E22T *	Ex9C150E22T *	Ex9C185E22T *	Ex9C225E22T *
600	Ex9C115E22Y	Ex9C150E22Y	Ex9C185E22Y	Ex9C225E22Y

Information subject to change without notice

* Special request only

115A - 225A Contactors - Wide Range AC/DC Voltage Coil, 3 Poles (Order by Part No.)

Coil Voltage (VAC/DC)	Part No. 115A	Part No. 150A	Part No. 185A	Part No. 225A
3 poles (2NO + 2NC Auxiliary)				
48 - 130	Ex9C115F22H *	Ex9C3150F22H *	Ex9C185F22H *	Ex9C225F22H *
100 - 250	Ex9C115F22K *	Ex9C3150F22K *	Ex9C185F22K *	Ex9C225F22K *
250 - 500	Ex9C115F22L *	Ex9C3150F22L *	Ex9C185F22L *	Ex9C225F22L *

Information subject to change without notice

* Special request only

265A - 500A Contactors

265A - 500A Contactors Technical Characteristics

		265A	300A	400A	500A
Rated Insulation Voltage	VAC	1,000	1,000	1,000	1,000
Electrical life (AC3), 380/400V	Operations	1,000,000	1,000,000	1,000,000	1,000,000
Mechanical life	Operations	8,000,000	8,000,000	5,000,000	5,000,000
Operating frequency (AC3)	Operations/h	500	500	500	420
Operating frequency (AC4)	Operations/h	130	130	130	130

Information subject to change without notice

265A - 500A Contactors HP Ratings - line voltage

265A		110-120V	208-240V	220-240V	440-480V	550-600V
3-phase	HP	-	75	100	200	250
300A		110-120V	208-240V	220-240V	440-480V	550-600V
3-phase	HP	-	100	125	250	300
400A		110-120V	208-240V	220-240V	440-480V	550-600V
3-phase	HP	-	125	150	300	400
500A		110-120V	208-240V	220-240V	440-480V	550-600V
3-phase	HP	-	150	200	400	500

Information subject to change without notice



265A - 500A Contactors with Set Coil Voltage (Order by Part No.)

Coil Voltage (VAC)	Part No. 265A	Part No. 300A	Part No. 400A	Part No. 500A
	3 poles (2NO + 2NC Auxiliary)			
24	Ex9C265E22B	Ex9C300E22B	-	-
36	Ex9C265E22C *	Ex9C300E22C *	Ex9C400E22C *	Ex9C500E22C *
42	Ex9C265E22D *	Ex9C300E22D *	Ex9C400E22D *	Ex9C500E22D *
48	Ex9C265E22E *	Ex9C300E22E *	Ex9C400E22E *	Ex9C500E22E *
110	Ex9C265E22F *	Ex9C300E22F *	Ex9C400E22F *	Ex9C500E22F *
120	Ex9C265E22G	Ex9C300E22G	Ex9C400E22G	Ex9C500E22G
208	Ex9C265E22X *	Ex9C300E22X *	Ex9C400E22X *	Ex9C500E22X *
220	Ex9C265E22M	Ex9C300E22M	Ex9C400E22M	Ex9C500E22M
230	Ex9C265E22P *	Ex9C300E22P *	Ex9C400E22P *	Ex9C500E22P *
240	Ex9C265E22U	Ex9C300E22U	Ex9C400E22U	Ex9C500E22U
277	Ex9C265E22N *	Ex9C300E22N *	Ex9C400E22N *	Ex9C500E22N *
380	Ex9C265E22Q	Ex9C300E22Q	Ex9C400E22Q	Ex9C500E22Q
400	Ex9C265E22V *	Ex9C300E22V *	Ex9C400E22V *	Ex9C500E22V *
415	Ex9C265E22Z *	Ex9C300E22Z *	Ex9C400E22Z *	Ex9C500E22Z *
480	Ex9C265E22T *	Ex9C300E22T *	Ex9C400E22T *	Ex9C500E22T *
600	Ex9C265E22Y	Ex9C300E22Y	Ex9C400E22Y	Ex9C500E22Y

Information subject to change without notice

* Special request only

265A - 500A Contactors - Wide Range AC/DC Voltage Coil, 3 Poles (Order by Part No.)

Coil Voltage (VAC/DC)	Part No. 265A	Part No. 300A	Part No. 400A	Part No. 500A
	3 poles (2NO + 2NC Auxiliary)			
48 - 130	Ex9C265F22H *	Ex9C300F22H *	Ex9C400F22H *	Ex9C500F22H *
100 - 250	Ex9C265F22K *	Ex9C300F22K *	Ex9C400F22K *	Ex9C500F22K *
250 - 200	Ex9C265F22L *	Ex9C300F22L *	Ex9C400F22L *	Ex9C500F22L *

Information subject to change without notice

* Special request only

See Page 3 for dimensions.

Overload relay types - Ex9R500B - see page 10.

Thermal Overload Relays

Features

- Adjustable current setting for overload protection
- Phase loss protection function; Temperature compensation
- Automatic and manual reset; Tripping indicator
- Mounting mode:
 - Top-mount
 - Side-mount (with surface mount-adaptor)
- **Auxiliary contacts:** 1NO+1NC, 2.73A@220VAC - 1.58A@380VAC - 0.2A@220VDC

Thermal Overload relays (Order by Part No.)

Relay Setting Range	Part No.	Use with Contactors
0.63 to 1.00A	Ex9R38B1A	Ex9C09 - 38
1.00A to 1.60A	Ex9R38B1.6A	
1.60A to 2.50A	Ex9R38B2.5A	
2.50A to 4.00A	Ex9R38B4A	
4.00A to 6.00A	Ex9R38B6A	
5.50A to 8.00A	Ex9R38B8A	
7.00A to 10.0A	Ex9R38B10A	
9.00A to 13.0A	Ex9R38B13A	
12.0A to 18.0A	Ex9R38B18A	
16.0A to 24.0A	Ex9R38B24A	
23.0A to 32.0A	Ex9R38B32A	
30.0A to 38.0A	Ex9R38B38A	
23.0 to 32.0A	Ex9R100B32A	Ex9C40 - 100
30.0 to 40.0A	Ex9R100B40A	
37.0A to 50.0A	Ex9R100B50A	
48.0A to 65.0A	Ex9R100B65A	
55.0A to 70.0A	Ex9R100B70A	
63.0A to 80.0A	Ex9R100B80A	Ex9C115 - 185
75.0A to 115.0A	Ex9R185B115A	
110.0A to 150.0A	Ex9R185B150A	
140.0A to 210.0A	Ex9R185B210A	Ex9C225 - 500
160.0A to 225.0A	Ex9R500B225A	
210.0A to 300.0A	Ex9R500B300A	
280.0A to 400.0A	Ex9R500B400A	
380.0A to 500.0A	Ex9R500B500A	



Information subject to change without notice
See next page for dimensions



Ex9C Accessories

Auxiliary contacts

Auxiliary Contacts (Order by Part No.)

Contacts			
NO	NC		
1	1	Front-mount	Ex9AX4211UL
2	2	Front-mount	Ex9AX4222UL
3	1	Front-mount	Ex9AX4231UL
1	1	Side-mount	Ex9AX4311UL

Information subject to change without notice

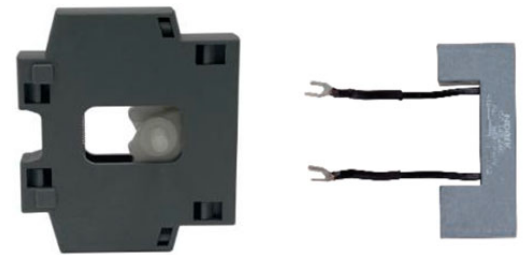


Mechanical Interlocks

Mechanical Interlocks (Order by Part No.)

	For Contactor Size	Part No.
Interlock	9-38A	Ex9MIT42UL
	40-100A	Ex9MIT43UL
	115-185A	Ex9MIT44UL
	225-300A	Ex9MIT45UL
	400-500A	Ex9MIT46UL
Power connection	115-185A	Ex9PCL185UL
	225-300A	Ex9PCL300UL
	400-500A	Ex9PCL500UL
Surge suppressor	9-38A	Ex9CCU42BUL
	40-100	Ex9CCU43BUL

Information subject to change without notice



Pneumatic Timer Blocks (time delay relay)

Pneumatic Timer Blocks (Order by Part No.)

Delay	NO	NC	Range	Part No.
On	1	1	0.1-3s	Ex9AXCT0UL
On	1	1	0.1-30s	Ex9AXCT2UL
On	1	1	10-180s	Ex9AXCT4UL
Off	1	1	0.1-3s	Ex9AXCD0UL
Off	1	1	0.1-30s	Ex9AXCD2UL
Off	1	1	10-180s	Ex9AXCD4UL

Information subject to change without notice



Surface Mount Adapters for Ex9R Overloads

These adapters can be used to mount the Ex9R overloads beside the contactor.

Surface Mount Adapters for Overloads (Order by Part No.)

For Overload Size	Part No.
Ex9R38	Ex9AD56UL
Ex9R100	Ex9AD53UL
Ex9R185	Ex9AD54UL
Ex9R500	Ex9AD55UL

Information subject to change without notice





ELECTRICAL COMPONENTS

416.663.7223
www.itcproducts.com
 50 Mural St Unit 8
 Richmond Hill, ON L4B 1E4



DIN Rail



DIN Rail Accessories



Non-Metallic Enclosures



Hinged Enclosures



Thermal Management



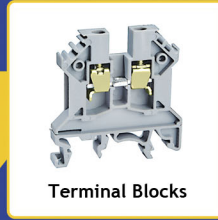
PANEL Lighting



Multipole Connectors



Compact IP68 Connectors



Terminal Blocks



Terminal Strips



22.5mm Pushbuttons



LED Indicators



Control Stations



Limit Switches



Micro Limit Switches



Safety Switches



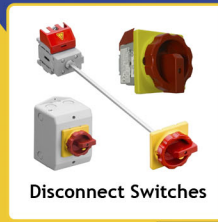
Foot Switches



Circuit Breakers



IEC Contactors



Disconnect Switches



Midget and CC Fuse Holders



Tower Lights



Power Continuity



Ferrules



Colour Coded Lugs



Crimp Terminals



Termination Kits



Cable Glands



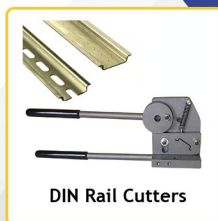
Thread Adapters



Cable Entry Systems



Wire Management



DIN Rail Cutters



Assembly Tables



Cutting & Stripping



Crimping Tools



Hole Cutting & Punching Tools

SOME OF OUR MANUFACTURING PARTNERS

