

Foot Switches with Analog Output

ITC presents foot switches that have a variable controlled current and voltage output that is directly proportional to the pedal position. A programmable signaling output is additionally activated when a predetermined pedal position is reached. The analog output can be delivered in a 0-5V, 0-10V, 0-20mA or 4-20mA versions. The foot switch is available in single pedal versions. Two and three pedal versions are also available on request.



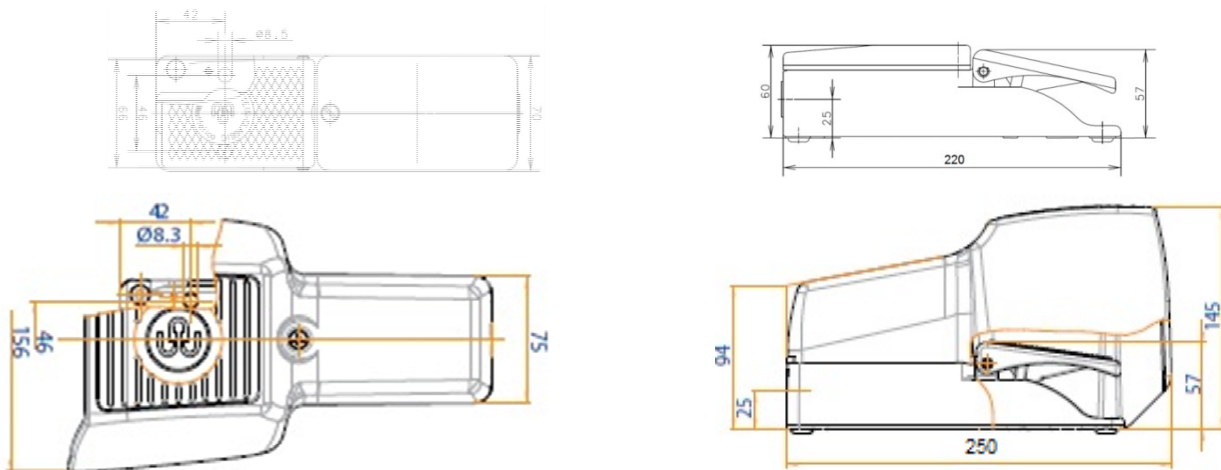
Features and specifications:

- **Material, enclosure & cover:** die cast aluminum
- **Operating life:** 10×10^6 operating cycles
- **Switching frequency:** maximum 50/minute
- **Cable entrance:** 1 x M20x1.5
- **Operating temperature:** -30 to 80° C
- **IP rating:** IP65 in accordance with IEC/EN 60529 (with properly closed cover and the use of an equivalent IP cable gland and appropriate cable)
- **Standard:** EN 6097-5-2

Foot Switches with Analog Output (Order by Part No.)

Part No.	Description	Shield	Output
F1-AU0-5	Single metal foot switch, 0-5 V DC analog output	No	0-5 V DC
F1-AU0-10	Single metal foot switch, 0-10 V DC analog output	No	0-10 V DC
F1-AI0-20	Single metal foot switch, 0-20 mA analog output	No	0-20 mA
F1-AI4-20	Single metal foot switch, 4-20 mA analog output	No	4-20 mA
F1-AU0-5 UN	Single metal foot switch, 0-5 V DC analog output	Yes	0-5 V DC
F1-AU0-10 UN	Single metal foot switch, 0-10 V DC analog output	Yes	0-10 V DC
F1-AI0-20 UN	Single metal foot switch, 0-20 mA analog output	Yes	0-20 mA
F1-AI4-20 UN	Single metal foot switch, 4-20 mA analog output	Yes	4-20 mA

Information subject to change without notice



Measurements in mm.

Printed in Canada; 24-05

EF-1615-1