

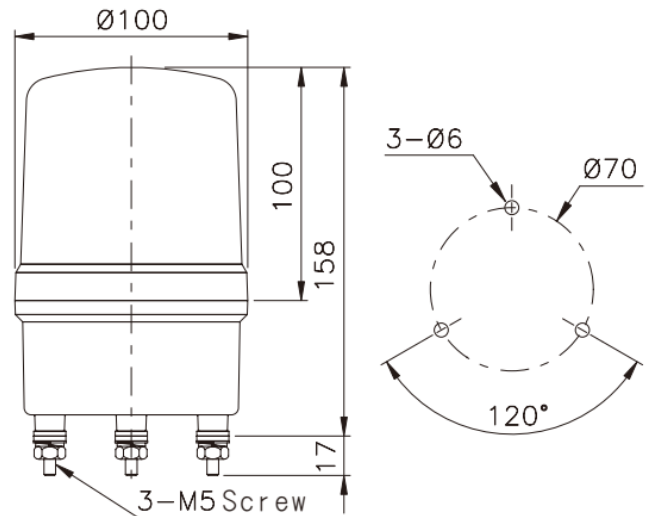
LED Warning Beacons

ITC is proposing a new family of low voltage, convenient beacon lights equipped with LEDs, sequenced to produce a rotating light effect. As a result, there are no moving parts, making these device sturdy, lightweight and economical. Beacons are used as a visual warning device in machine control, process, security areas, etc...



Features and specifications:

- **Dimensions:**
 - **Height:** 158mm (~6-1/2")
 - **Diameter:** 100 mm (~4")
- **Material:** Polycarbonate
- **IP Rating:** IP42 after mounting
- **Rated voltage:** 12V or 24V AC/DC
- **Number of LEDs:** 18
- **Revolving speed:** 160RPM
- **Maximum voltage:** +10% of rated voltage (AC)
- **Rated wire:** 22 to 14AWG
- **Operating temperature:** -20 to 60 °C
- **Mounting:** 3 M5 screws



LED Beacons (Order by Part No.)

Part No.	Voltage	Colour
TWL-10L9BL	12V AC/DC	Blue
TWL-10L9G	12V AC/DC	Green
TWL-10L9O	12V AC/DC	Orange
TWL-10L9R	12V AC/DC	Red
TWL-10L7BL	24V AC/DC	Blue
TWL-10L7G	24V AC/DC	Green
TWL-10L7O	24V AC/DC	Orange
TWL-10L7R	24V AC/DC	Red

Information subject to change without notice