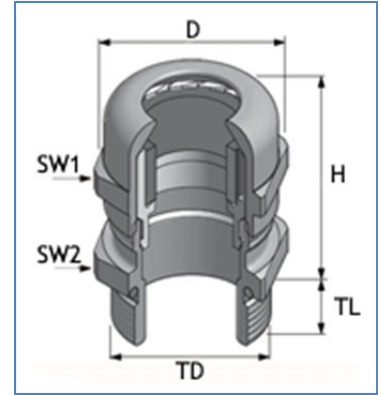


# Large Metal Glands with Standard / Long Thread - Metric

## Features and specifications:

- Operating Temperature: -20 to 100°C (permanent),
- Ingress Protection: IP68 @ 5 bar
- Material: Body and dome: Brass, nickel plated, Slip ring: Polycarbonate, Seal: Neoprene, O-Ring: Nitrile rubber



## Metal Metric Glands with Standard Thread Length (Order by Part No.)

M	Part No.	Cable Range		Gland Dimensions (mm)					Pack
		mm	Inches	TD	TL	H	SW1	SW2	
75	180.776	48-65	1.89-2.56	75	11.5	81.8	85	85	1
80	180.780	55-74	2.17-2.91	80	12	92	95	100	1
90	180.789	65-83	2.56-3.27	90	12	101	125	135	1
100	180.800	74-93	2.91-3.66	100	12	101	125	135	1
110	180.810	74-93	2.91-3.66	110	12	101	125	135	1

Information subject to change without notice - All dimensions in mm except where indicated.

## Metal Metric Glands with Long Thread (Order by Part No.)

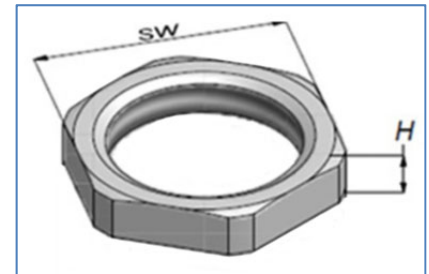
M	Part No.	Cable Range		Gland Dimensions					Pack
		mm	Inches	TD	TL	H	SW1	SW2	
75	180.776L	48-65	1.89-2.56	75	18	82	85	90	1
80	180.780L	55-74	2.17-2.91	80	20	92	95	100	1
90	180.789L	65-83	2.56-3.27	90	22	101	110	135	1
100	180.800L	74-93	2.91-3.66	100	22	101	120	125	1

Information subject to change without notice - All dimensions in mm except where indicated.

## Metal Metric Locknuts, large size (Order by Part No.)

M	Part No.	H		SW	Pack
		mm	inches		
75	184.776	8	0.315	80	1
80	184.780	10	0.394	90	1
90	184.789	12	0.472	100	1
100	184.800	12	0.472	110	1
110	184.810	12	0.472	125	1

Information subject to change without notice - All dimensions in mm except where indicated.



M80 Gland