

Low Temperature Cable Glands

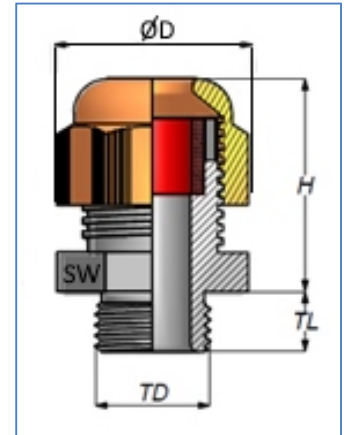
Metric & NPT Threads

Type “S” plastic glands are standard industrial models, suitable for most applications in control and distribution panels, machinery, vehicles, robotics, etc..

These are being offered as an alternative to the standard Metric and NPT models offered by ITC. These cable glands have a broader operating temperature range, different dimensions.

Features and Specifications:

- Shorter thread (compared to standard series)
- Different cable range (compared to standard series)
- **Operating temperature:** -40 to +100°C (permanent)
-40 to +150°C (intermittent)
- **Ingress protection:** IP68 @ 5bar
- **Material:** Body and dome: Polyamide 6 UL94-V2 Seal: Neoprene



Available in Black (Grey upon request).

NPT Thread Plastic Glands with Standard Seal “Type S” (Order by Part No.)

NPT	Part No.	Cert.	Cable Range		Gland Dimensions (mm)				Gland Dimensions (in)				Pack
	Black		mm	in	TD	TL	H	ØD	TD	TL	H	ØD	
3/8”NPT	180.138S	cUL _{US}	2.5-8	0.098-0.315	17.0	11	38	19	0.675	0.43	1.50	0.75	50
1/2”NPT	180.150S	cUL _{US}	5-12	0.197-0.472	21.3	14	44	24	0.84	0.55	1.73	0.94	50
3/4”NPT	182.175S	cUL _{US}	9.0-18	0.354-0.709	26.7	15	54	33	1.05	0.59	2.13	1.30	20
1”NPT	182.191S	cUL _{US}	14-25	0.551-0.984	33.4	18	60	42	1.32	0.71	2.36	1.65	20

Information subject to change without notice - All dimensions in mm except where indicated

NPT Thread Plastic Glands with Reduced Seal “Type S” (Order by Part No.)

NPT	Part No.	Cert.	Cable Range		Gland Dimensions (mm)				Gland Dimensions (in)				Pack
	Black		mm	in	TD	TL	H	ØD	TD	TL	H	ØD	
3/8”NPT	181.138S	cUL _{US}	1.5-6	0.059-0.236	17.0	11	38	19	0.675	0.43	1.50	0.75	50
1/2”NPT	181.150S	cUL _{US}	3-9	0.118-0.354	21.3	14	44	24	0.84	0.55	1.73	0.94	50
3/4”NPT	183.175S	cUL _{US}	7-16	0.276-0.630	26.7	15	54	33	1.05	0.59	2.13	1.30	20
1”NPT	181.191S	cUL _{US}	11-21	0.433-0.827	33.4	18	60	42	1.32	0.71	2.36	1.65	20

Information subject to change without notice - All dimensions in mm except where indicated

Metric Thread Plastic Glands with Standard Seal “Type S” (Order by Part No.)

M	Part No.	Cert.	Cable Range		Gland Dimensions (mm)				Gland Dimensions (in)				Pack
	Black		mm	in	TD	TL	H	ØD	TD	TL	H	ØD	
M16	180.116S	cUL _{us}	2.5-8	0.098-0.315	16	10	29	22	0.630	0.39	1.14	0.87	50
M20	180.120S	cUL _{us}	7-14	0.276-0.551	20	10	33	27	0.787	0.39	1.30	1.06	50
M25	180.125S	cUL _{us}	9-18	0.354-0.709	25	10	39	33	0.984	0.39	1.54	1.30	20
M32	180.132S	cUL _{us}	14-25	0.551-0.984	32	10	42	42	1.260	0.39	1.65	1.65	20
M40	180.140S	cUL _{us}	18-32	0.709-1.260	40	10	52	53	1.575	0.39	2.05	2.09	20
M50	180.151S	cUL _{us}	24-38.5	0.945-1.516	50	12	55	60	1.969	0.47	2.17	2.36	10
M63	180.163S	cUL _{us}	35-48	1.380-1.890	63	12	56	70	2.480	0.47	2.21	2.76	5

Information subject to change without notice - All dimensions in mm except where indicated

Metric Thread Plastic Glands with Reduced Seal “Type S” (Order by Part No.)

M	Part No.	Cert.	Cable Range		Gland Dimensions (mm)				Gland Dimensions (in)				Pack
	Black		mm	in	TD	TL	H	ØD	TD	TL	H	ØD	
M16	181.116S	cUL _{us}	2-7	0.079-0.276	16	10	29	22	0.630	0.39	1.14	0.87	50
M20	181.120S	cUL _{us}	5-12	0.197-0.472	20	10	33	27	0.787	0.39	1.30	1.06	50
M20	181.120SR	cUL _{us}	3-9	0.118-0.354	20	10	40	24	0.787	0.39	1.58	0.94	50
M25	181.125S	cUL _{us}	7-16	0.276-0.630	25	10	39	33	0.984	0.39	1.54	1.30	20
M32	181.132S	cUL _{us}	11-21	0.433-0.827	32	10	42	42	1.260	0.39	1.65	1.65	20
M40	181.140S	cUL _{us}	13-26	0.512-1.024	40	10	52	53	1.575	0.39	2.05	2.09	20
M50	181.151S	cUL _{us}	17-31	0.669-1.220	50	12	55	60	1.969	0.47	2.17	2.36	10
M63	181.163S	cUL _{us}	26-39	1.234-1.535	63	12	56	70	2.480	0.47	2.21	2.76	5

Information subject to change without notice - All dimensions in mm except where indicated

Locknuts and other accessories are available - see catalog EC-1604 Cable Glands & Accessories.

