

GREAT DEALS on Entrelec Terminal Blocks!

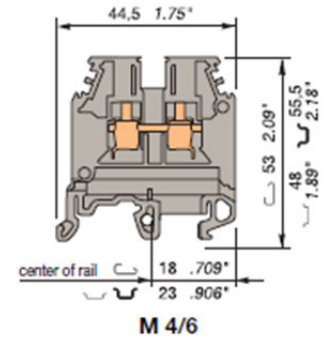
ITC is offering great savings on their end of stock Entrelec Terminal Blocks with discounts up to 90%!



195 116 00 M4/6 - 4mm² blocks - 6 mm .238" pitch

Characteristics		IEC NFC VDE	UL	CSA
Wire size mm ² /AWG	Solid	0.2 - 4mm ²	22-10 AWG	22-10 AWG
	Stranded	0.22- 4mm ²		
Voltage	V	800	600	600
Current	A	32	30	25
Short circuit current (M 6/8.PI)	A/s	480A/1s		
Rated wire size	mm ² /AWG	4mm ²	10 AWG	10 AWG
Wire stripping length	mm/inches	9.5mm/ .37"		
Recommended torque	Nm/lb.in	0.5-0.8 Nm / 4.4-7.1 lb.in		

Information subject to change without notice



198 368 17 M4/6 - End Plates

Colour	Beige
Thickness	2.5mm, .098"

118 368 16 M4/6 - End Plates

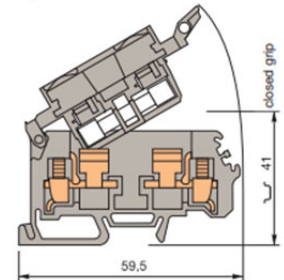
Colour	Dark Grey
Thickness	2.8mm, .110"



115 470 26 DR4/8.SF - 8mm² Fuse Block - 8 mm .315" pitch (ABB # - 1SNA110368R1200)

Characteristics		IEC NFC DIN	UL	CSA
Wire size mm ² /AWG		4mm ² / A4		12 AWG
Voltage	V	630		300
Current	A	6.3 A		6.3 A0
Rated wire size	mm ² /AWG	4mm ² / A4		12 AWG
Wire stripping length	mm/inches	9.5mm/ .37"		
Recommended torque	Nm/lb.in	0.5-0.8 Nm / 4.4-7.1lb.in		

Information subject to change without notice



118 624 27 DR4/8 - End Plates

Colour	Grey
Thickness	1.45mm, .057"

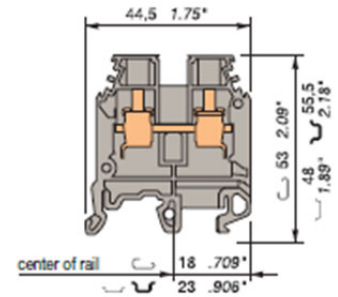




195 118 12 M6/8 - 6mm² blocks - 8 mm .315" pitch

Characteristics		IEC NFC DIN	UL	CSA
Wire size mm ² /AWG	Solid	0.5 - 10mm ²	22-8 AWG	24-8 AWG
	Stranded	0.5 - 6mm ²		
Voltage	V	800	600	600
Current	A	41	50	55
Short circuit current (M 6/8.PI)	A/s	720A/1s		
Rated wire size	mm ² /AWG	6mm ²	8 AWG	8 AWG
Wire stripping length	mm/inches	12mm / .47"		
Recommended torque	Nm/lb.in	0.8-1 Nm / 7.1-8.9 lb.in		

Information subject to change without notice



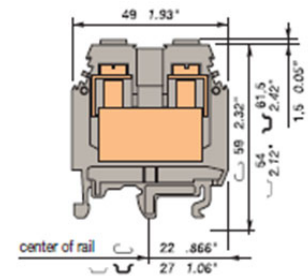
M 6/8

115 124 07 M35/16 - 35mm² blocks - 16 mm .630" pitch (grey)

125 124 01 M35/16.N - 35mm² blocks - 16 mm .630" pitch (blue)

Characteristics		IEC NFC DIN	UL	CSA
Wire size mm ² /AWG	Solid	1 - 50	10-0 AWG	10-0 AWG
	Stranded	1 - 35	10-1 AWG	10-1 AWG
Voltage	V	800	600	600
Current	A	125	150	150
Short circuit current (M 6/8.PI)	A/s	4200A/1s		
Rated wire size	mm ² /AWG	35mm ²	0 AWG	0 AWG
Wire stripping length	mm/inches	17mm / .669"		
Recommended torque	Nm/lb.in	2.8-3 Nm / 24.9-26.7 lb.in		

Information subject to change without notice



M 35/16

Entrelec Terminal Blocks (Order by Part No.)

Part No.	Description	Pack	Stock [^]	Std Price	Sale Price
195.116.00	M4/6 - 4mm² blocks - 6 mm .238" pitch SOLD OUT	50	0	1.60	0.36
198.368.17	M4/6 beige end plate SOLD OUT	20	0	0.48	0.10
118.368.16	M4/6 dark grey end plate SOLD OUT	20	0	0.48	0.10
115.470.26	DR4/8SF - 4mm ² fuse blocks - 8mm .315" pitch	50	298	6.00	2.00
118.627.27	DR4/8 grey end plate	20	126	0.40	0.10
195.118.12	M 6/8 - 6mm ² blocks - 8 mm .315" pitch	50	300	5.20	0.50
115.124.07	M 35/16 - 35mm ² blocks - 16 mm .630" pitch (grey)	20	0	5.50	1.00
125.124.01	M 35/16.N - 35mm ² blocks - 16 mm .630" pitch (blue)	20	562	5.50	1.00

[^] stock as of May 9, 2024

Sales prices valid for quantities equal to entire multiples of pack quantities above.
All sales are final. Standard terms and conditions of sale apply. Cannot be combined with any other offers.