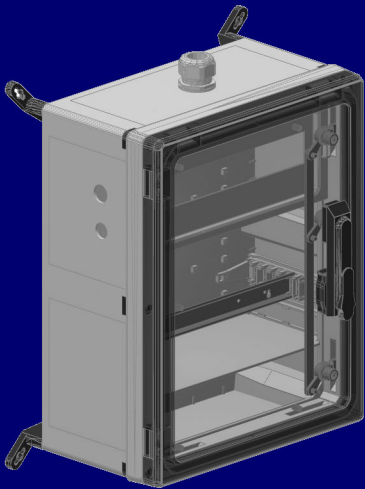




Electrical Components

els spelsberg



GEOS Enclosures and Cabinets

- Tough Industrial
- Flexible
- Safe
- Industrial



GEOS Outdoor Enclosures & Cabinets



High quality materials and an innovative design make the GEOS series a universal solution for indoor and outdoor applications. The UV and weather resistance of the high-quality fiberglass-reinforced polycarbonate and the innovative 'Drain Protect' seal system guarantee optimal protection against most environmental effects, such as rain and fluctuating temperatures. Even in tough conditions caused by aggressive atmospheres, oils, or mechanical stresses, you can rely on the GEOS enclosures and cabinets.

GEOS applications include water and utility management, renewable energies, monitoring and access technology, agricultural operating facilities, traffic engineering, construction of control systems and electric mobility/infrastructure.

Features and specifications:

- Tool free, fast assembly
- **3 base sizes:**
 - 300 x 300mm (WxH)
 - 300 x 400mm (WxH)
 - 400 x 500mm (WxH)
- **2 enclosure depths:** 180 and 226mm
- **Multiple Mounting options:** mounting outside the sealed area or via keyhole mounting
- **Multiple Closure systems options:** screw closures, quick-release or triangle-head screws

- **Materials, body, solid cover:** Fibreglass-reinforced polycarbonate; flame retardant (UL-94 V2)
- **Materials, transparent cover:** polycarbonate; flame retardant (UL-94 V2)
- **Sealing materials:** Silicone
- **Colours:** Grey (RAL 7035) or Black (RAL 9005)
- **Impact resistance:** IK 09
- **Ingress Protection:** IP66 / IP67
- **NEMA rating:** 4X, 12/12k
- **Approvals:** cULus (CSA 22.2 94.1-15, UL 50, UL 50E), DNV, DLG



GEOS-L Enclosures

Tough

Weather-resistant in all weathers

The GEOS series is produced of high-grade polycarbonate. This allows the outdoor enclosures to resist certain chemicals, provides for high UV- and weather-resistance and braves extreme temperatures.

The enclosures are designed in a way that they are corrosion-proof and withstand high impact energy as per IK09. Therefore, your components are always perfectly protected.

- Waterproof - IP 66/67 - NEMA 4X, 12
- UV resistant & Weatherproof
- Corrosion resistant & Temperature resistant
- Chemical resistant

Flexible

The right choice for any industrial and outdoor application

Due to its flexibility, the GEOS enclosures can be adapted quickly and easily. By means of the extendable, functional installation system you will save time for the configuration of your components.

Functional installation system

Increased efficiency due to the functional installation system for tool-free installation of the mounting brackets with different possible installation heights.



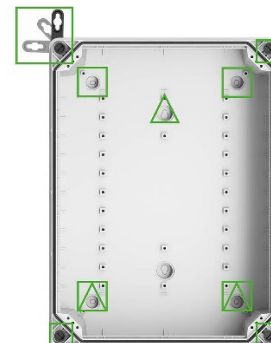
Extendable at any time

The GEOS housings have a system-oriented design. Amongst other things it is possible to slide-in pre-assembled components. This increases the flexibility.



Various mounting possibilities

The GEOS enclosures offer three-point mounting, mounting inside or outside the sealing area, as well as optional external fasteners.



GEOS L enclosures (Order by Part No.)

External dimensions (mm)			GREY				BLACK			
			Grey cover		Transparent cover		Black cover		Transparent cover	
H	W	D	Part No.	Model	Part No.	Model	Part No.	Model	Part No.	Model
300	300	180	SP700-433	GEOS-L 3030-18-o	SP701-433	GEOS-L 3030-18-to	SP742-433	GEOS-L 3030-18-o/sw	SP741-433	GEOS-L 3030-18-to/sw
300	300	226	SP700-733	GEOS-L 3030-22-o	SP701-733	GEOS-L 3030-22-to	SP742-733	GEOS-L 3030-22-o/sw	SP741-733	GEOS-L 3030-22-to/sw
300	400	180	SP700-434	GEOS-L 3040-18-o	SP701-434	GEOS-L 3040-18-to	SP742-434	GEOS-L 3040-18-o/sw	SP741-434	GEOS-L 3040-18-to/sw
300	400	226	SP700-734	GEOS-L 3040-22-o	SP701-734	GEOS-L 3040-22-to	SP742-734	GEOS-L 3040-22-o/sw	SP741-734	GEOS-L 3040-22-to/sw
400	500	226	SP700-745	GEOS-L 4050-22-o	SP701-745	GEOS-L 4050-22-to	SP742-745	GEOS-L 4050-22-o/sw	SP741-745	GEOS-L 4050-22-to/sw

Information subject to change without notice
All GEOS-L models ship with a cover screw set



70043301 GEOS-L 3030-18-o



SP741-734 GEOS-L 3040-22-to/sw



SP 701-745 GEOS-L 4050-22-to

GEOS Features



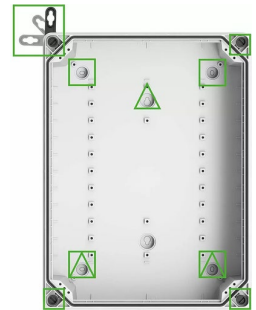
Simple installation



Mounting points in the cover



Easy quick-close screws



Flexible mounting options

A comprehensive online tool makes configuring your final GEOS cabinet or enclosure with all possible accessories and customisations. **GEOS online configurator:**
<https://configurator.spelsberg.com/spelsberg/html/#/home?lang=en>



GEOS-L/S Accessories (Order by Part No.)

Part No.	Model	Description	Use with
SP720-003	GEOS MPI-3030	Plastic mounting plate; 250 x 250 x 5mm	GEOS-L/S 3030-18 to 22
SP720-004	GEOS MPI-3040	Plastic mounting plate; 250 x 350 x 5mm	GEOS-L/S 3040-18 to 22, GEOS-S 4030-18 to 22
SP720-005	GEOS MPI-4050	Plastic mounting plate; 350 x 450 x 5mm	GEOS-L/S 4050-22, GEOS-S 5040-22
SP720-013	GEOS MPS-3030	Steel mounting plate; 250 x 250 x 5mm	GEOS-L/S 3030-18 to 22
SP720-014	GEOS MPS-3040	Steel mounting plate; 250 x 350 x 5mm	GEOS-L/S 3040-18 to 22, GEOS-S 4030-18 to 22
SP720-015	GEOS MPS-4050	Steel mounting plate; 350 x 450 x 5mm	GEOS-L/S 4050-22, GEOS-S 5040-22
SP720-020	GEOS ABL-10	External mounting brackets (4); 10mm	GEOS-L/S
SP720-021	GEOS ABL-40	External mounting brackets (4); 40mm	GEOS-L/S
SP720-075	GEOS ABL-10/ES	External mounting brackets SS (4); 10mm	GEOS-L/S
SP720-076	GEOS ABL-40/ES	External mounting brackets SS (4); 40mm	GEOS-L/S
SP720-022	GEOS MH-18	Spacer for mounting DIN Rail, plastic, H=20mm	GEOS-L/S - 18
SP720-023	GEOS MH-22	Spacer for mounting DIN Rail, plastic, H=64mm	GEOS-L/S - 22
SP721-013	GEOS-L EP-3030	Plastic installation board; 276 x 276 x 4mm	GEOS-L 3030-18 to 22
SP721-014	GEOS-L EP-3040	Plastic installation board; 276 x 376 x 4mm	GEOS-L 3040-18 to 22
SP721-015	GEOS-L EP-4050	Plastic installation board; 376 x 476 x 4mm	GEOS-L 4050-22
SP721-016	GEOS-L EPD-3030	Plastic installation board; 276 x 276 x 4mm	GEOS-L 3030-18 to 22 - inside cover
SP721-017	GEOS-L EPD-3040	Plastic installation board; 276 x 376 x 4mm	GEOS-L 3040-18 to 22 - inside cover
SP721-018	GEOS-L EPD-4050	Plastic installation board; 376 x 476 x 4mm	GEOS-L 4050-22 - inside cover
SP721-040	GEOS-L DS	Replacement Cover screw set (4)	GEOS-L 3030, GEOS-L 3040
SP721-041	GEOS-L 4050 DS	Replacement Cover screw set (4+2)	GEOS-L 4050
SP720-062	GEOS TGS 3040-2	Support frame with 2 DIN rails	GEOS-L/S 3040
SP720-064	GEOS TGS 4050-3	Support frame with 3 DIN rails	GEOS-L/S 4050
SP720-065	GEOS TGS 4050-2	Support frame with 2 DIN rails	GEOS-L/S 4050
SP720-072	GEOS TGS NS35/15 3040-2	Support frame with 2 DIN rails	GEOS-L/S 3040
SP720-074	GEOS TGS NS35/15 4050-3	Support frame with 3 DIN rails	GEOS-L/S 4050
SP721-032	GEOS-L TW 30-18	Partition wall with carriers; 270 x 110 x 2.5mm	GEOS-L 3030-18, GEOS-L 3040-18
SP720-040	SRS 60-90	Screw Clamp set (2); for masts 60-90mm	GEOS-L/S
SP720-041	SRS 90-150	Screw Clamp set (2); for masts 90-150mm	GEOS-L/S
SP720-042	SRS 150-210	Screw Clamp set (2); for masts 150-210mm	GEOS-L/S
SP720-050	GEOS MSS-30	Mast Clamp set; 35 x 300 x 40.5 mm	GEOS-L/S 3030-18 to 22
SP720-051	GEOS MSS-40	Mast Clamp set; 35 x 400 x 40.5 mm	GEOS-L/S 3040-18 to 22, GEOS-S 4030-18 to 22
SP720-052	GEOS MSS-50	Mast Clamp set; 35 x 500 x 40.5 mm	GEOS-L/S 4050-22, GEOS-S 5040-22
SP263-440	BEL Air M40	BEL-Air ventilation M40 set (2)	GEOS-L/S

Information subject to change without notice



SP720-022 GEOS MH-18



SP720-062 GEOS TGS 3040-2



SP720-021 GEOS ABL-40



SP720-051 GEOS MSS-40

GEOS-S Cabinets

The new GEOS-S series offers all the well-known advantages of the GEOS series such as the flexible modular system, test certificates also for international markets and robust material. Furthermore, they provide additional protection for the electrical and electronic components even in adverse environments, for example in industrial and outdoor installations. The cabinets are designed to be particularly user-friendly.

The enclosure doors of the new GEOS-S cabinets from Spelsberg are available in grey, black or transparent design. The transparent door allows displays to be read while control and signalling devices remain protected without affecting the technical properties. Otherwise, usual re-working, e.g. for the installation of a viewing window, is thus completely unnecessary. Thanks to their large opening angle of more than 180°, the doors ensure unrestricted work on the open enclosure and good operability at the same time.

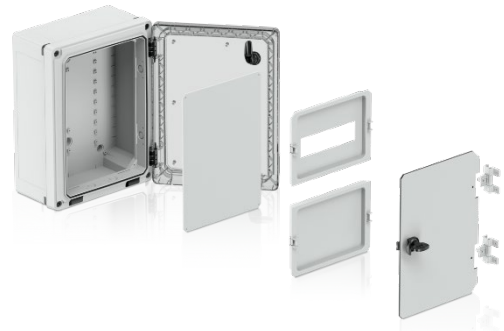
- Locking system - cam lock or pivoted lever
- Fastening options outside the sealing area
- Doors available in transparent, grey and black
- No restriction on the installation of internals
- Doors allow easy opening with a large opening angle of >180°
- Door hinges can be moved 180° without drilling



New accessories

The cabinets of the GEOS-S series can be retrofitted with the range of accessories from Spelsberg. For example, mounting plates in various sizes, standard rails and support frames are available for installing control or signaling devices. If the enclosure is to be subdivided, the partition walls are suitable for this purpose.

- Built-in modules protected against contact: can be mounted without tools and are tamper-proof
- Frame + door as a single assembly
- Cabinet door stop prevents unintentional closing of the door with two fixed positions
- Door contact switches can be integrated in the frame and can be used for remote enquiries
- LED interior lighting can be integrated into the frame to illuminate the installation space
- Quick-change system for mounting rail frame and mounting plate
- Different depths possible for different sizes of switchgear and built-in devices



And the GEOS-S can do so much more!

The cabinets are just as flexible and safe as the empty enclosures. They are prepared for the innovative ventilation element BEL Air. These elements remove any condensate that occurs out of the enclosure in the shortest possible time by means of air exchange. Thereby an IP rating of IP65 is preserved. The doors are lockable for increased security and prevent unauthorised opening. The cam lock mechanism does not require any additional earthing or sealing of active parts.

- Cam lock as a cost-effective locking system with various locking inserts
- Pivot lever for more comfort and safety with an optional built-in lock
- Transparent doors for a clear view of installed devices
- Mounting points in the door for flexible installation of internal mounting plates
- Suitable for horizontal and vertical mounting
- Door/frame combination can be easily removed for easier and faster installation of fasteners

GEOS S Cabinets (Order by Part No.)

External dimensions (mm)			GREY				BLACK			
			Grey cover		Transparent cover		Black cover		Transparent cover	
H	W	D	Part No.	Model	Part No.	Model	Part No.	Model	Part No.	Model
300	300	180	SP710-433	GEOS-S 3030-18-o	SP711-433	GEOS-S 3030-18-to	SP750-433	GEOS-S 3030-18-o/sw	SP751-433	GEOS-S 3030-18-to/sw
300	300	226	SP710-733	GEOS-S 3030-22-o	SP711-733	GEOS-S 3030-22-to	SP750-733	GEOS-S 3030-22-o/sw	SP751-733	GEOS-S 3030-22-to/sw
300	400	180	SP710-434	GEOS-S 3040-18-o	SP711-434	GEOS-S 3040-18-to	SP750-434	GEOS-S 3040-18-o/sw	SP751-434	GEOS-S 3040-18-to/sw
300	400	180	SP720-434	GEOS-S 3040-18-o/SH ^	SP721-434	GEOS-S 3040-18-to/SH^	SP760-434	GEOS-S 3040-18-o/SH/sw^	SP761-434	GEOS-S 3040-18-to/SH/sw ^
300	400	226	SP710-734	GEOS-S 3040-22-o	SP711-734	GEOS-S 3040-22-to	SP750-734	GEOS-S 3040-22-o/sw	SP751-734	GEOS-S 3040-22-to/sw
400	300	180	SP710-443	GEOS-S 4030-18-o	SP711-443	GEOS-S 4030-18-to	SP750-443	GEOS-S 4030-18-o/sw	SP751-443	GEOS-S 4030-18-to/sw
400	300	226	SP710-743	GEOS-S 4030-22-o	SP711-743	GEOS-S 4030-22-to	SP750-743	GEOS-S 4030-22-o/sw	SP751-743	GEOS-S 4030-22-to/sw
400	500	226	SP710-745	GEOS-S 4050-22-o	SP711-745	GEOS-S 4050-22-to	SP750-745	GEOS-S 4050-22-o/sw	SP751-745	GEOS-S 4050-22-to/sw
400	500	226	SP720-745	GEOS-S 4050-22-o/SH ^	SP721-745	GEOS-S 4050-22-to/SH	SP760-745	GEOS-S 4050-22-o/SH/sw^	SP761-745	GEOS-S 4050-22-to/SH/sw ^
500	400	226	SP710-754	GEOS-S 5040-22-o	SP711-754	GEOS-S 5040-22-to	SP750-754	GEOS-S 5040-22-o/sw	SP751-754	GEOS-S 5040-22-to/sw

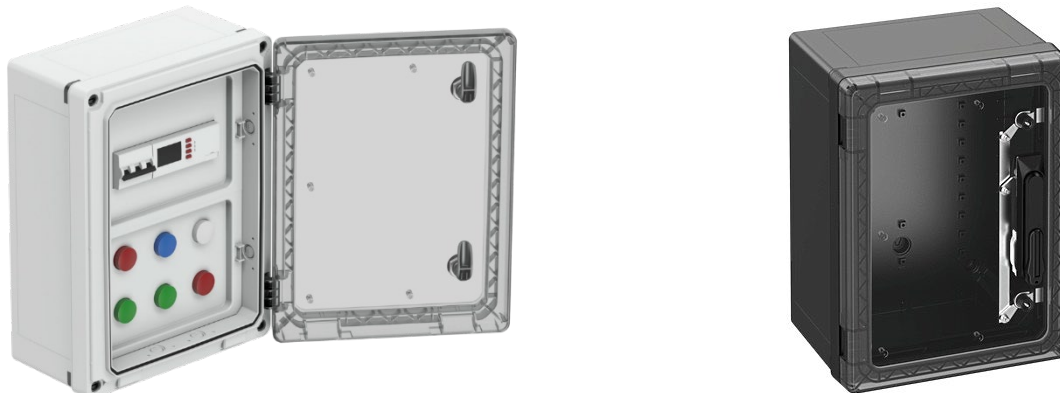
Information subject to change without notice - Hinge is located along the "W" dimension
 All GEOS-S Cabinets ship with a cover screw set
 ^Model with swivel lever closure; Non-swivel lever models ship with the SP722-050 twist lock set



SP711-443 GEOS-S 4030-18-to

SP720-745 GEOS-S 4050-22-o/SH

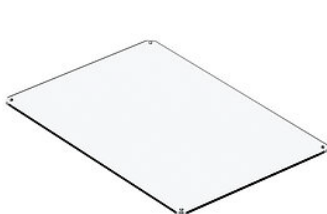
SP751-754 GEOS-S 5040-22-to/sw



GEOS-S Accessories (Order by Part No.)

Part No.	Model	Description	Use with
SP722-013	GEOS-S EPR 3030	Plastic interior mounting plate; 231 x 231 x 4mm	GEOS-S 3030-18 to 22
SP722-014	GEOS-S EPR 3040/4030	Plastic interior mounting plate; 231 x 331 x 4mm	GEOS-S 3040-18 to 22, GEOS-S 4030-18 to 22
SP722-015	GEOS-S EPR 4050/5040	Plastic interior mounting plate; 331 x 431 x 4mm	GEOS-S 4050-22, GEOS-S 5040-22
SP722-103	GEOS-S EPR-t 3030	Clear interior mounting plate; 231 x 231 x 4mm	GEOS-S 3030-18 to 22
SP722-104	GEOS-S EPR-t 3040/4030	Clear interior mounting plate; 231 x 331 x 4mm	GEOS-S 3040-18 to 22, GEOS-S 4030-18 to 22
SP722-105	GEOS-S EPR-t 4050/5040	Clear interior mounting plate; 331 x 431 x 4mm	GEOS-S 4050-22, GEOS-S 5040-22
SP722-003	GEOS-S IT 3030	Plastic internal door; includes hardware	GEOS-S 3030
SP722-004	GEOS-S IT 3040	Plastic internal door; includes hardware	GEOS-S 3040
SP722-005	GEOS-S IT 4030	Plastic internal door; includes hardware	GEOS-S 4030
SP722-006	GEOS-S IT 4050	Plastic internal door; includes hardware	GEOS-S 4050
SP722-007	GEOS-S IT 5040	Plastic internal door; includes hardware	GEOS-S 5040
SP722-032	GEOS-S TW 30-18	Partition wall kit; 108 x 270 x 2.5mm	GEOS-S 3030-18, 3040-18, 4030-18
SP722-033	GEOS-S TW 30-22	Partition wall kit; 154 x 270 x 2.5mm	GEOS-S 3030-22, 3040-22, 4030-22
SP722-034	GEOS-S TW 40-18	Partition wall kit; 108 x 370 x 2.5mm	GEOS-S 3040-18, 4030-18
SP722-036	GEOS-S TW 40-22	Partition wall kit; 154 x 370 x 2.5mm	GEOS-S 3030-22, 3040-22, 4030-22, 4050-22, 5040-22
SP722-036	GEOS-S TW 50-22	Partition wall kit; long side; 154 x 470 x 2.5mm	GEOS-S 4050-22, GEOS-S 5040-22
SP722-040	GEOS-S 3030 S	Replacement screw set (4)	GEOS-S 3030-18 to 22
SP722-041	GEOS-S 3040/4030 S	Replacement screw set (4)	GEOS-S 3040/4030
SP722-042	GEOS-S 4050/5040 S	Replacement screw set (4+2)	GEOS-S 4050/5040
SP722-043	GEOS-S 3030 SV	Replacement quick-close screw set (4)	GEOS-S 3030
SP722-044	GEOS-S 3040/4030 SV	Replacement quick-close screw set (4)	GEOS-S 3040/4030
SP722-045	GEOS-S 4050/5040 SV	Replacement quick-close screw set (4+2)	GEOS-S 4050/5040
SP722-050	GEOS-S DRS-DB/3	Twist lock set (2); Double-bit 3mm mandrel	GEOS-S
SP722-051	GEOS-S DRS-DB/5	Twist lock set (2); Double-bit 5mm mandrel	GEOS-S
SP722-052	GEOS-S DRS-VK/8	Twist lock set (2); Square 8mm	GEOS-S
SP722-053	GEOS-S DRS-DK/8	Twist lock set (2); Triangle 8mm	GEOS-S
SP722-054	GEOS-S DRS-KB	Twist lock set (2); Toggle handle	GEOS-S
SP722-055	GEOS-S DRS-SZ	Twist lock set (2); countersunk slot	GEOS-S
SP722-060	GEOS-S SGA-DB/3	Cylinder lock; Double-bit 3mm mandrel	GEOS-S sh swivel lever
SP722-069	GEOS-S SGA-2	Cylinder lock; DIN 18252, 8 x 45°; keyed (3)	GEOS-S sh swivel lever
SP722-070	GEOS-S TFS	Door Stop; block door in open position	GEOS-S
SP722-083	GEOS-S BSM 3030-9	Contact protection module (9), 1 row	GEOS-S 3030-18 to 22
SP722-087	GEOS-S BSM 3040-9	Contact protection module (9), 1 row	GEOS-S 3040-18 to 22
SP722-091	GEOS-S BSM 4050-15	Contact protection module (15), 1 row top or bottom	GEOS-S 4050-22

Information subject to change without notice; other accessories available - inquire with ITC



SP722-014 EPR-T 3040/4030



SP722-003 IT 3030



SP722-070 TFS



SP722-054 DRS-KB