



# ELECTRICAL COMPONENTS

## TEEPLUG® Plug and Socket Connectors

- Compact
- Inline & panel mount
  - 2, 3, 4 & 5 poles
  - IP68 / IP69





# TEEPLUG<sup>®</sup> Compact Waterproof Plug-and-Socket Connectors

## Not Just Connectors - Solutions for your Industrial System

Techno's line of compact, high IP (IP 68, 69) plug-and socket connectors is designed for applications in control and automation, signal and power distribution, lighting, marine, tunnel and infrastructure, etc..

These patented products are manufactured in Italy, using high quality materials and advanced multi-component injection molding processes, which provide high level of protection, reduce the risk of losing or misplacing gaskets, and result in more compact components.

### Features:

- Very compact size
- Intended for indoor/outdoor use to provide protection against the entry of water during prolonged submersions at limited depth (NEMA 6P)
- Quick installation, easy maintenance
- Over-molded gaskets/seals cannot be lost or misplaced



### Specifications:






- **Type of connection (insert):**
  - THB: screw connection
  - THS: Screwless connection
- **Cable type:** UL Listed type TC or TC-ER
- **Wire cross section:**
  - THB.387 5 pole, THB.405 5 pole, THB.406 5 pole, THS.389: 0.25 - 1.5 mm<sup>2</sup> (24 - 16 AWG)
  - THB.387 2, 3 & 4 pole, THB.405 2, 3 & 4 pole, THB.406 3 pole: 0.5 - 2.5mm<sup>2</sup> (20 - 14 AWG)
  - THB.384, THB.385: 0.5 - 4.0mm<sup>2</sup> (20 - 12 AWG)
- **Operating Temperature:** -40 to 125 °C
- **Panel mount thread:** M20 or M25, locknut included
- **Housing colour:** black
- **Housing:** Halogen-free, silicon-free (384/385/387/389/405/406/624)
- Resistant to salt-spray test 5%, 35 °C, 1 hour
- **Material - housing:** PA66, UL94 V0/V2
- **Material - inserts and locknuts:** PA66 GF, UL94 V0
- **Approvals:** cULus (# E355693)

	Ingress Protection <sup>^</sup>	Cable Diameter	# Poles	Current	Voltage
THB.384/385	384 - IP66 - IP68 - 50m, 24h 385 - IP68	7.0 - 12mm	3 M/F	20A	400V
THB.387	IP66 IP68 - 30m, 3h	7.0 - 13.5mm	2, 3, 4 & 5 M/F	15A 10A (THB.387.A5A.L & THB.387.B5A)	400V
THS.389	IP66 IP68 - 5m, 1h IP69	7.0 - 13.0mm	2, 3, 4 & 5 M/F	10A	600V
THB.405/506	IP68 -10m, 1h	7.0-14.0mm	3 & 5 M/F	20A	400V

<sup>^</sup> IP Rating - 10m, 1h means 10 meters for 1 hour  
Information subject to change without notice

## TEEPLUG® TH 405/406 large plug and socket connectors

### THB.405 / THB.406 Plug-and-Socket Connectors (Order by Part No.)

Part No.	Gender # of Poles	Mounting Type	IP Rating <sup>^</sup>	Maximum Current	Maximum Voltage	Pack	
THB.405.B2B*	Female 3 poles	In-line	IP68 - 10m,1h	20A	400V	10	
THB.405.A2B*	Male 3 poles	In-line	IP68 - 10m,1h	20A	400V	10	
THB.406.A1B	Male 3 poles	Panel, M28	IP68 - 10m,1h	20A	400V	10	
THB.405.B2A*	Female 5 poles	In-line	IP68 - 10m,1h	20A	400V	10	
THB.405.A2A*	Male 5 poles	In-line	IP68 - 10m,1h	20A	400V	10	
THB.406.A1A	Male 5 poles	Panel, M28	IP68 - 10m,1h	20A	400V	10	

<sup>^</sup> IP Rating - 10m,1h means 10 meters for 1 hour

\* Upon request receive a free assembly key with minimum order of 10 of one part of 405 series

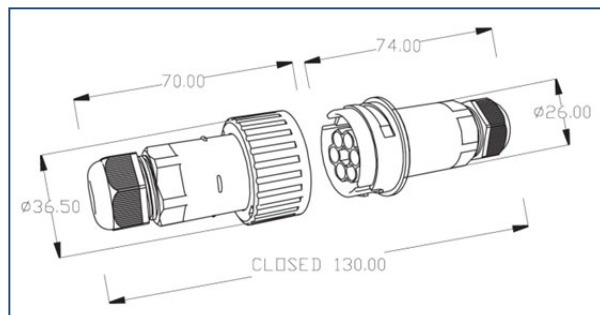
Use of an assembly key is highly recommended - see accessories and spare parts

Retail packaging available, contact ITC

Information subject to change without notice

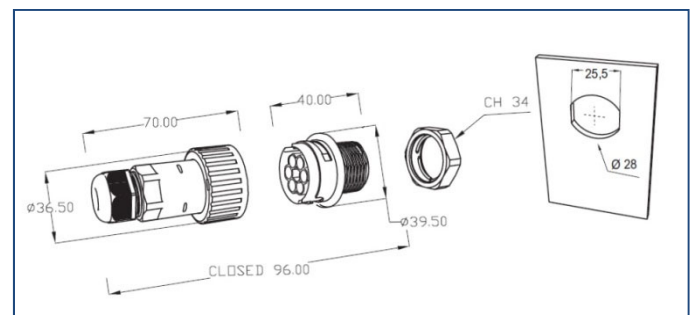


#### Inline cable to cable installation



All measurements in mm

#### Panel-mount installation



All measurements in mm

## mini-TEEPLUG® THB 384/385/387 compact plug and socket connectors (screw)

### THB.384 / THB.385 / THB.387 Plug-and-Socket Cable Connectors (Order by Part No.)

Part No.	Gender # of Poles	Mounting Type	IP rating^	Maximum Current	Maximum Voltage	Pack	
THB.387.B2A.L <b>NEW</b>	Female 2 poles	In-line	IP66 IP68 -30m,3h	15A	600V AC/DC	10	
THB.387.A2A.L <b>NEW</b>	Male 2 poles	In-line	IP66 IP68 -30m,3h	15A	600V AC/DC	10	
THB.384.B1A	Female 3 poles	In-line	IP66 IP68 - 5m,3h	20A	400V AC/DC	10	
THB.384.A1A	Male 3 poles	In-line	IP66 IP68 - 5m,3h	20A	400V AC/DC	10	
THB.387.B3A.L <b>NEW</b>	Female 3 poles	In-line	IP66 IP68 -30m,3h	15A	600V AC/DC	10	
THB.387.A3A.L <b>NEW</b>	Male 3 poles	In-line	IP66 IP68 -30m,3h	15A	600V AC/DC	10	
THB.387.B4A.L	Female 4 poles	In-line	IP66 IP68 -30m,3h	15A	400V AC/DC	10	
THB.387.A4A.L	Male 4 poles	In-line	IP66 IP68 -30m,3h	15A	400V AC/DC	10	
THB.387.B5A.L	Female 5 poles	In-line	IP66 IP68 -30m,3h	10A	400V AC/DC	10	
THB.387.A5A.L	Male 5 poles	In-line	IP66 IP68 -30m,3h	10A	400V AC/DC	10	

^ IP rating - 30m,3h means 30 meters for 3 hours  
Information subject to change without notice

**THB.384 / THB.385 / THB.387 Plug-and-Socket Panel Mounted Connectors (Order by Part No.)**

Part No.	Gender # of Poles	Mounting Type	IP Rating^	Maximum Current	Maximum Voltage	Pack	
THB.387.P2A <b>NEW</b>	Female 2 poles	Panel, M20	IP66 IP68 - 30m,3h	15A	600V AC/DC	10	
THB.387.N2A <b>NEW</b>	Male 2 poles	Panel, M20	IP66 IP68 - 30m,3h	15A	600V AC/DC	10	
THB.387.N3A <b>NEW</b>	Male 3 poles	Panel, M20	IP66 IP68 - 30m,3h	15A	600V AC/DC	10	
THB.387.P3A <b>NEW</b>	Female 3 poles	Panel, M20	IP66 IP68 - 30m,3h	15A	600V AC/DC	10	
THB.385.A1A *	Male 3 poles	Panel, M25	IP68 - 5m,3h^	20A	400V AC/DC	10	
THB.385.A3F *	Male 3 poles	Panel, M20 <b>Angle</b>	IP68 - 30m,3h	20A	400V AC/DC	10	
THB.387.P4A	Female 4 poles	Panel, M20	IP66 IP68 - 30m,3h	15A	600V AC/DC	10	
THB.387.N4A	Male 4 poles	Panel, M20	IP66 IP68 - 30m,3h	15A	600V AC/DC	10	
THB.387.P5A^	Female 5 poles	Panel, M20	IP66 IP68 - 30m,3h	17.5A	500V AC	10	
THB.387.N5A	Male 5 poles	Panel, M20	IP66 IP68 - 30m,3h	15A	600V AC/DC	10	

Retail packaging available, contact ITC

\* connects to THB.384.B1A

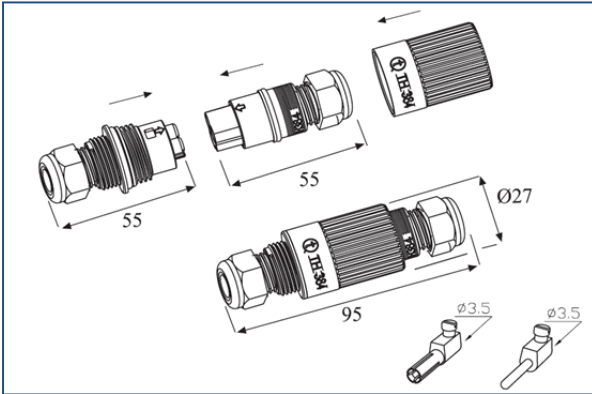
^not UL certified

Use of an assembly key is highly recommended - see accessories and spare parts

Information subject to change without notice

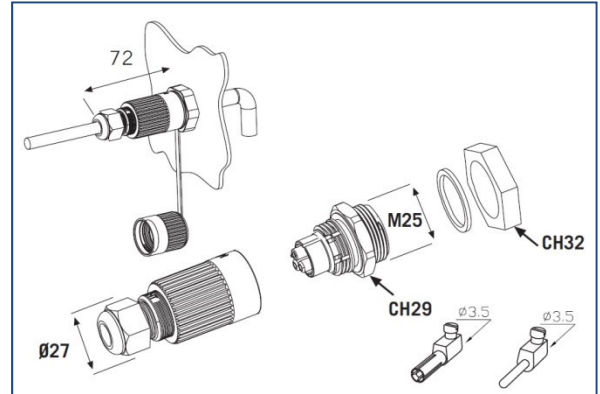
## Installation Methods for THB.384, THB.385, THB.387

### THB.384 - Inline cable to cable installation



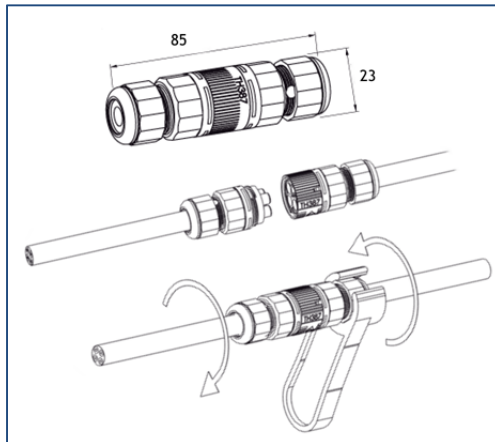
All measurements in mm

### THB.385 - Panel-mount installation



All measurements in mm

### THB.387 - Inline cable to cable installation



All measurements in mm



## Current Distributor Plug & Socket Junction Box (Order by Part No.)

This new plug & socket junction connector allows the creation of branches in parallel, replacing the traditional junction boxes. The current distributors consist of a central block with compact dimensions and considerable smaller overall dimension than the junction boxes of the same polarity.


The THH.624.B4A is suitable for both indoor and outdoor installations and has one plug and 3 sockets, so it can be connected to 1 in-line socket connector and 3 in-line plug connectors (THB.387 series).

### Features and specifications:

- **Dimensions:** 65.0 x 61.0 x 25.0mm
- **Connects to male connection:** THB.387.B4A.L, THB.387.P4A
- **Connects to female connections:** THB.387.A4A.L, THB.387.N4A
- **Cap for male connection:** TH6DB021900
- **Cap for female connections:** TH6DB023400

**NEW**

### Current Distributor Plug & Socket Junction Box (Order by Part No.)

Part No.	# and Gender of 4 Pole Connections	Mounting Type	IP Rating	Maximum Current	Maximum Voltage	Pack	
THH.624.B4A	1 Male 3 Female	Cable	IP68	15A	600 VAC	10	

Information subject to change without notice



## mini-TEEPLUG® THS 389 screwless compact plug and socket connectors

Screwless socket connectors have retention levers for securing and releasing the wires instead of screws, making the process simpler and saving time. Available in 2, 3, 4 and 5 pole versions, with (E) or without ground terminal (A)\*.

**NEW**

### THS.389 Mini Screwless Plug-and-Socket Cable Connectors (Order by Part No.)

Part No.	Gender # of Poles	Mounting Type	IP Rating <sup>^</sup>	Maximum Current	Maximum Voltage	Pack	
THS.389.B4A	Female 4 poles	In-line	IP66 IP68 - 5m,1h IP69	10A	600V AC/DC	10	
THS.389.A4A	Male 4 poles	In-line	IP66 IP68 - 5m,1h IP69	10A	600V AC/DC	10	
THS.389.B4E	Female 4 poles 1 Ground	In-line	IP66 IP68 - 5m,1h IP69	10A	600V AC/DC	10	
THS.389.A4E	Male 4 poles 1 Ground	In-line	IP66 IP68 - 5m,1h IP69	10A	600V AC/DC	10	
THS.389.B5A	Female 5 poles	In-line	IP66 IP68 - 5m,1h IP69	10A	600V AC/DC	10	
THS.389.A5A	Male 5 poles	In-line	IP66 IP68 - 5m,1h IP69	10A	600V AC/DC	10	
THS.389.B5E	Female 5 poles 1 Ground	In-line	IP66 IP68 - 5m,1h IP69	10A	600V AC/DC	10	
THS.389.A5E	Male 5 poles 1 Ground	In-line	IP66 IP68 - 5m,1h IP69	10A	600V AC/DC	10	

<sup>^</sup> IP rating -5m,1h means 5 meters for 1 hours  
 \* Version without ground marking (A) - special order  
 Information subject to change without notice

**NEW**
**THS.389 Mini Screwless Plug-and-Socket Panel Mounted Connectors (Order by Part No.)**

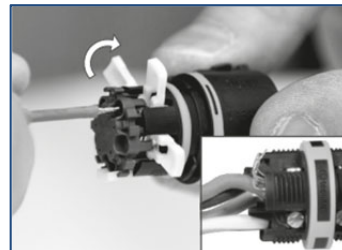
Part No.	Gender # of Poles	Mounting Type	IP Rating <sup>^</sup>	Maximum Current	Maximum Voltage	Pack	
THS.389.M4A	Female 4 poles	Panel, M20	IP66 IP68 - 5m,1h IP69	10A	600V AC/DC	10	
THS.389.L4A	Male 4 poles	Panel, M20	IP66 IP68 - 5m,1h IP69	10A	600V AC/DC	10	
THS.389.M4E	Female 4 poles 1 Ground	Panel, M20	IP66 IP68 - 5m,1h IP69	10A	600V AC/DC	10	
THS.389.L4E	Male 4 poles 1 Ground	Panel, M20	IP66 IP68 - 5m,1h IP69	10A	600V AC/DC	10	
THS.389.M5A	Female 5 poles	Panel, M20	IP66 IP68 - 5m,1h IP69	10A	600V AC/DC	10	
THS.389.L5A	Male 5 poles	Panel, M20	IP66 IP68 - 5m,1h IP69	10A	600V AC/DC	10	
THS.389.M5E	Female 5 poles 1 Ground	Panel, M20	IP66 IP68 - 5m,1h IP69	10A	600V AC/DC	10	
THS.389.L5E	Male 5 poles 1 Ground	Panel, M20	IP66 IP68 - 5m,1h IP69	10A	600V AC/DC	10	

Available in 2 and 3 pole versions

<sup>^</sup> IP rating -5m, 1 h means 5 meters for 1 hours

\* Version without ground marking (A) - special order








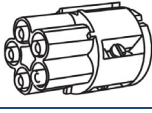
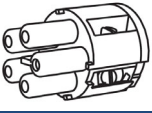
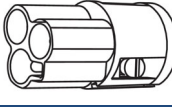
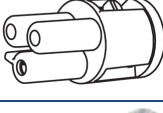

Information subject to change without notice



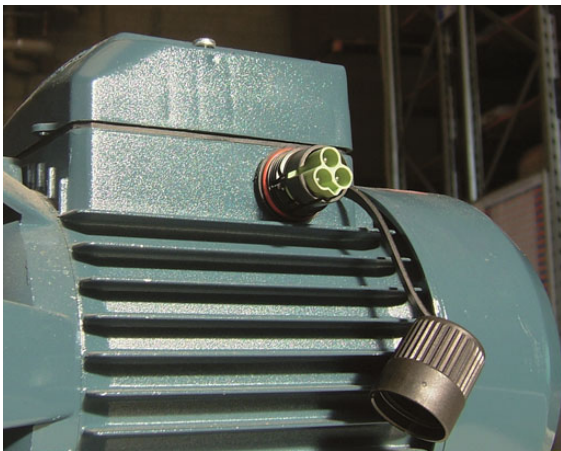
## TEEPLUG® Accessories and Spare Parts

Various accessories to complement the TEEPLUG® line.

### Plug-and-Socket Accessories (Order by Part No.)

Part No.	Number of Poles	Description	Pack	
TH600009600	5	Assembly Key for 405 type inserts - 5 poles; black	1	
TH6000012200	3	Assembly Key for 405 type inserts - 3 poles; black	1	
TH6DB00200C	n/a	Cap with tether, black, for TEEPLUG® THB.384.A1A (male)	10	
TH6DB00900C	n/a	Cap with tether, black, for TEEPLUG® THB.405 male series and THB.406.A1B	10	
TH6DB01580C	n/a	Cap with tether, black, for TEEPLUG® THB.385.A1A, M25	10	
TH6DB021900	4/5 Male	Cap with tether, black, for TEEPLUG® TH387 male series, M20	10	
TH6DB023400	4/5 Female	Cap with tether, black, for TEEPLUG® TH387 female series, M20	10	
THB.022.A5A.AG	5	TEEPLUG® 5 pole screw MALE insert only; Use with 405.A2A / 406.A1A Colour: Natural	10	
THB.022.B5A.AG	5	TEEPLUG® 5 pole screw FEMALE insert only; Use with 405.B2A Colour: Natural	10	
THB.023.A3B.AG	3	TEEPLUG® 3 pole screw MALE insert only; Use with 405.A2A / 406.A1A Colour: Natural	10	
THB.023.B3B.AG	3	TEEPLUG® 3 pole screw FEMALE insert only; Use with 405.B2B Colour: Natural	10	
TH6000337BC	n/a	TEEPLUG® plastic gland wrench; fits both TH 384 and TH 405 series	1	

Information subject to change without notice





# ELECTRICAL COMPONENTS

416.663.7223

www.itcproducts.com

50 Mural St Unit 8  
Richmond Hill, ON L4B 1E4



DIN Rail



DIN Rail Accessories



Hinged Enclosures



Thermal Management



PANEL Lighting



Multipole Connectors



Compact IP68 Connectors



Terminal Blocks



Terminal Strips



Screwless Parallel Connectors



22.5mm Pushbuttons



LED Indicators



Control Stations



Limit Switches



Micro Limit Switches



Safety Switches



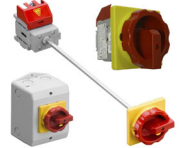
Foot Switches



Circuit Breakers



IEC Contactors



Disconnect Switches



Midget and CC Fuse Holders



Tower Lights



Power Continuity



Ferrules



Colour Coded Lugs



Crimp Terminals



Termination Kits



Cable Glands



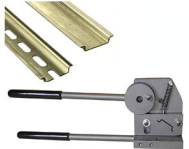
Thread Adapters



Cable Entry Systems



Wire Management



DIN Rail Cutters



Assembly Tables



Cutting & Stripping



Crimping Tools



Hole Cutting & Punching Tools

## SOME OF OUR MANUFACTURING PARTNERS

bimed

df Electric

DSE

ALFRA

COMEPI

IME

TEKNIC ELECTRIC

DETASULTRA

sontheimer