

Selector Switches

ITC now offers a line of 3 to 8 position Selector (Step) switches manufactured in Germany by Sontheimer. These switches are rated CSA and UL 16A @ 600VAC.

For 2 position, ore 2 position plus zero refer to our Rotary Changeover Switches catalog.

Features and specifications:

- 3 to 8 positions, 1 contact per position standard
 - Available with 2 or 3 contacts per position upon request
- Available with additional '0' position upon request
- Available mountings:
 - Type E, 4+1 holes front mounting (IP54, IP65 with accessory Z1D1)
 - Type ZM, 22.5mm centre hole front mounting (IP65)
 - Type T, DIN Rail mounting (IP20)
 - Type PM-D1, mounted in plastic enclosure CSA/UL certified (IP65-NEMA 4X)
- Angle between positions: 30 degrees
- HP rating @ 240VAC: 2.0 HP
- Dimensions: see drawings (other side)
- Front plate: Silver with black lettering (other options available)
- Rated wire sections: 14-8 AWG (2.5-10mm²)
- Temperature range: -20 to 50°C
- Approvals: CSA, UL, CE-mark, RoHS compliant



Type ZM

Selector Switches (Order by Part No.)

Centre Mount (ZM)	4+1 holes (E)	DIN-Rail Mount (T)	Enclosed (PM-D1)	# of Positions	Current @ 600VAC
LBS-ST031/8/ZM	LBS-ST031/8/E	LBS-ST031/8/T	LBS-ST031/8/PM-D1	3 + 0	16A
LBS-ST31/8/ZM	LBS-ST31/8/E	LBS-ST31/8/T	LBS-ST31/8/PM-D1	3	16A
LBS-ST41/8/ZM	LBS-ST41/8/E	LBS-ST41/8/T	LBS-ST41/8/PM-D1	4	16A
LBS-ST51/8/ZM	LBS-ST51/8/E	LBS-ST51/8/T	LBS-ST51/8/PM-D1	5	16A
LBS-ST61/8/ZM	LBS-ST61/8/E	LBS-ST61/8/T	LBS-ST61/8/PM-D1	6	16A
LBS-ST71/8/ZM	LBS-ST71/8/E	LBS-ST71/8/T	LBS-ST71/8/PM-D1	7	16A
LBS-ST81/8/ZM	LBS-ST81/8/E	LBS-ST81/8/T	LBS-ST81/8/PM-D1	8	16A

Information subject to change without notification



Type E

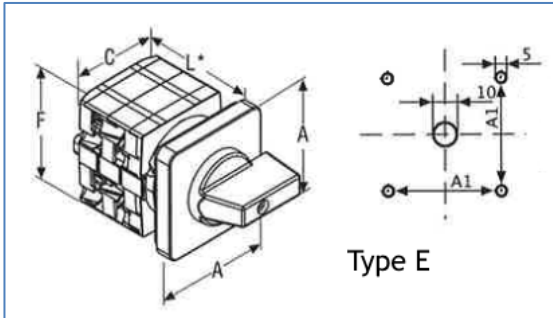


Type T



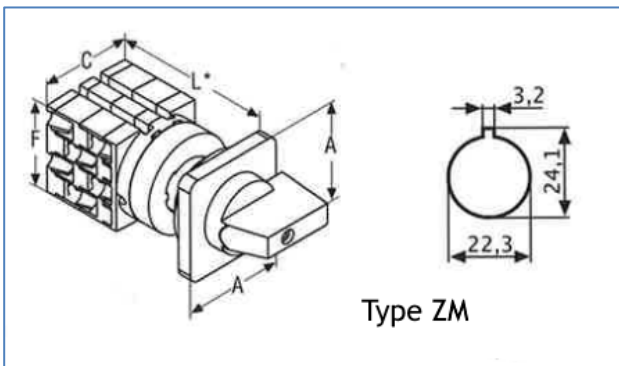
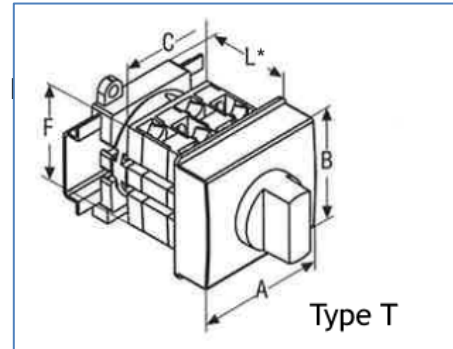
Type PM-D1

Dimensional drawings



Size	A	A1	C	F	L1 1 pole	L2 2 pole	L3 3 pole
8	48	36	40	39	34	46	58

Size	A	B	C	F	L1 1 pole	L2 2 pole	L3 3 pole
8	52.5	45	40	39	45	45	45



Size	A	C	F	L1 1 pole	L2 2 pole	L3 3 pole
8	48	40	39	58	70	82

Wiring Diagram for LBS-STXX

Position	Terminals							
	1-2	3-4	5-6	7-8	9-10	11-12	13-14	15-16
0								
1	■							
2		■						
3			■					
4				■				
5					■			
6						■		
7							■	
8								■

Contact Open	
Contact Closed	■

Terminals with EVEN numbers are connected in parallel ("Common")