

Compact Selector Switches

This series of super-compact selector [rotary] switches, identified as 'size D00', features a number of different types of operation, diagrams and mounting modes, designed for all applications where common types of selectors are required with dimensional limitations.

The contact block measures only 30x30mm (approx. 1.2"x1.2") across, while the height of the switch depends on the number of contacts.

Two types of mounting are available:

- **Type E:** on the front of the panel by means of 2 screws (3-hole mount)
- **Type ZM:** on the front of the panel with a single centre hole of 17mm or 22.5mm

The standard handle is black and the standard or custom-engraved front plate measures 30x30mm - other colours and types available.

Features and specifications (UL/CSA):

- 1HP at 240VAC, 3-phase
- 0.75HP at 240VAC, 1-phase
- **Ingress Protection:** (single central hole) IP65
- **Rated thermal current:** 10A
- **Rated Voltage:** 300VAC
- **Approvals:** CSA, cULus, CE-mark, RoHS compliant



Compact Rotary Switches (Order by Part No.)


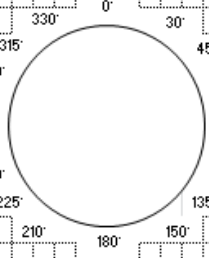
| Type of diagram | N. of positions | N. of poles | Part N. (3-hole mount) | Part N. (Centre-hole mount) |
|---------------------------|-----------------|-------------|------------------------|-----------------------------|
| 90 deg on/off | 2 | 1 | LBS-A1/4E | LBS-A1/4ZM |
| | | 3 | LBS-A3/4E | LBS-A3/4ZM |
| | | 4 | LBS-A4/4E | LBS-A4/4ZM |
| 60 deg changeover | 2 | 1 | LBS-WS1/4E | LBS-WS1/4ZM |
| | | 2 | LBS-WS2/4E | LBS-WS2/4ZM |
| 60 deg changeover maint. | 3 | 1 | LBS-U1/4E | LBS-U1/4ZM |
| | | 2 | LBS-U2/4E | LBS-U2/4ZM |
| 60 deg chg. Non-maint. | 3 | 1 | LBS-URR1/4E | LBS-URR1/4ZM |
| | | 2 | LBS-URR2/4E | LBS-URR2/4ZM |
| Step Switch | 3 | 1 | LBS-ST31/4E | LBS-ST31/4ZM |
| | 3+0 | 1 | LBS-ST031/4E | LBS-ST031/4ZM |
| Voltmeter Switch 3pos.+0 | 3+0 | - | LBS-V3/4E | LBS-V3/4ZM |
| Voltmeter Switch 6 pos.+0 | 6+0 | - | LBS-V30/4E | LBS-V30/4ZM |
| Ammeter Switch | 4 | - | LBS-AU31/4E | LBS-AU31/4ZM |
| Star-Delta Switch | 3 | - | LBS-SD/4E | LBS-SD/4ZM |
| Pole change Switch | 3 | - | LBS-P12/4E | LBS-P12/4ZM |
| Binary code Switch | 9 | - | LBS-BC9/4E | LBS-BC9/4ZM |
| Binary code Switch | 9+0 | - | LBS-BC09/4E | LBS-BC09/4ZM |
| Stop-Start Switch | 2 | - | LBS-SEA1/4E | LBS-SEA1/4ZM |

Custom diagrams

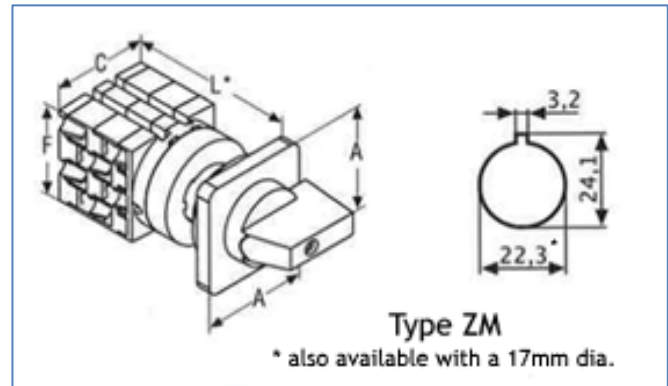
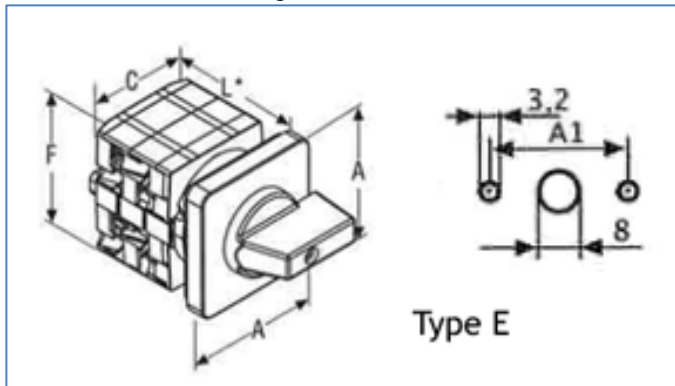
Size D00 switches can be manufactured with a maximum of 12 positions, 16 poles.

To request a custom switch, please use the template below.

Special front plates and handles can also be requested, as well as custom engraving of the front plate.

| | | | Switch diagram | | | | | | | | | | | | | | | |  SONTHEIMER Elektroschaltgeräte GmbH | |
|---|--|--|--------------------------|--------------------------|--------------------------|--------------------------|--------------------------|--------------------------|--------------------------|--------------------------|--------------------------|--------------------------|--------------------------|--------------------------|--------------------------|--------------------------|--------------------------|--------------------------|---|--|
| | | | Type | | | | | | | | | | | | | | | | Art. Nr. | |
| Fittings | | | | | | | | | | | | | | | | | | | | |
| Remarks | | | No. Chambers | | | | | | | | | | | | | | | | Art. Nr. | |
|  | | | 1 | 3 | 5 | 7 | 9 | 11 | 13 | 15 | 17 | 19 | 21 | 23 | 25 | 27 | 29 | 31 | | |
| | | | / | / | / | / | / | / | / | / | / | / | / | / | / | / | / | / | / | |
| | | | 2 | 4 | 6 | 8 | 10 | 12 | 14 | 16 | 18 | 20 | 22 | 24 | 26 | 28 | 30 | 32 | | |
| | | | | | | | | | | | | | | | | | | | | |
| Frontschilder / Front plates | | | 1 | 2 | 3 | 4 | 5 | 6 | 7 | 8 | 9 | 10 | 11 | 12 | 13 | 14 | 15 | 16 | | |
| | | | <input type="checkbox"/> | <input type="checkbox"/> | <input type="checkbox"/> | <input type="checkbox"/> | <input type="checkbox"/> | <input type="checkbox"/> | <input type="checkbox"/> | <input type="checkbox"/> | <input type="checkbox"/> | <input type="checkbox"/> | <input type="checkbox"/> | <input type="checkbox"/> | <input type="checkbox"/> | <input type="checkbox"/> | <input type="checkbox"/> | <input type="checkbox"/> | | |
| | | | <input type="checkbox"/> | <input type="checkbox"/> | <input type="checkbox"/> | <input type="checkbox"/> | <input type="checkbox"/> | <input type="checkbox"/> | <input type="checkbox"/> | <input type="checkbox"/> | <input type="checkbox"/> | <input type="checkbox"/> | <input type="checkbox"/> | <input type="checkbox"/> | <input type="checkbox"/> | <input type="checkbox"/> | <input type="checkbox"/> | <input type="checkbox"/> | | |
| | | | <input type="checkbox"/> | <input type="checkbox"/> | <input type="checkbox"/> | <input type="checkbox"/> | <input type="checkbox"/> | <input type="checkbox"/> | <input type="checkbox"/> | <input type="checkbox"/> | <input type="checkbox"/> | <input type="checkbox"/> | <input type="checkbox"/> | <input type="checkbox"/> | <input type="checkbox"/> | <input type="checkbox"/> | <input type="checkbox"/> | <input type="checkbox"/> | | |
| | | | <input type="checkbox"/> | <input type="checkbox"/> | <input type="checkbox"/> | <input type="checkbox"/> | <input type="checkbox"/> | <input type="checkbox"/> | <input type="checkbox"/> | <input type="checkbox"/> | <input type="checkbox"/> | <input type="checkbox"/> | <input type="checkbox"/> | <input type="checkbox"/> | <input type="checkbox"/> | <input type="checkbox"/> | <input type="checkbox"/> | <input type="checkbox"/> | | |
| | | | <input type="checkbox"/> | <input type="checkbox"/> | <input type="checkbox"/> | <input type="checkbox"/> | <input type="checkbox"/> | <input type="checkbox"/> | <input type="checkbox"/> | <input type="checkbox"/> | <input type="checkbox"/> | <input type="checkbox"/> | <input type="checkbox"/> | <input type="checkbox"/> | <input type="checkbox"/> | <input type="checkbox"/> | <input type="checkbox"/> | <input type="checkbox"/> | | |
| | | | <input type="checkbox"/> | <input type="checkbox"/> | <input type="checkbox"/> | <input type="checkbox"/> | <input type="checkbox"/> | <input type="checkbox"/> | <input type="checkbox"/> | <input type="checkbox"/> | <input type="checkbox"/> | <input type="checkbox"/> | <input type="checkbox"/> | <input type="checkbox"/> | <input type="checkbox"/> | <input type="checkbox"/> | <input type="checkbox"/> | <input type="checkbox"/> | | |
| | | | <input type="checkbox"/> | <input type="checkbox"/> | <input type="checkbox"/> | <input type="checkbox"/> | <input type="checkbox"/> | <input type="checkbox"/> | <input type="checkbox"/> | <input type="checkbox"/> | <input type="checkbox"/> | <input type="checkbox"/> | <input type="checkbox"/> | <input type="checkbox"/> | <input type="checkbox"/> | <input type="checkbox"/> | <input type="checkbox"/> | <input type="checkbox"/> | | |
| | | | <input type="checkbox"/> | <input type="checkbox"/> | <input type="checkbox"/> | <input type="checkbox"/> | <input type="checkbox"/> | <input type="checkbox"/> | <input type="checkbox"/> | <input type="checkbox"/> | <input type="checkbox"/> | <input type="checkbox"/> | <input type="checkbox"/> | <input type="checkbox"/> | <input type="checkbox"/> | <input type="checkbox"/> | <input type="checkbox"/> | <input type="checkbox"/> | | |
| | | | <input type="checkbox"/> | <input type="checkbox"/> | <input type="checkbox"/> | <input type="checkbox"/> | <input type="checkbox"/> | <input type="checkbox"/> | <input type="checkbox"/> | <input type="checkbox"/> | <input type="checkbox"/> | <input type="checkbox"/> | <input type="checkbox"/> | <input type="checkbox"/> | <input type="checkbox"/> | <input type="checkbox"/> | <input type="checkbox"/> | <input type="checkbox"/> | | |
| | | | <input type="checkbox"/> | <input type="checkbox"/> | <input type="checkbox"/> | <input type="checkbox"/> | <input type="checkbox"/> | <input type="checkbox"/> | <input type="checkbox"/> | <input type="checkbox"/> | <input type="checkbox"/> | <input type="checkbox"/> | <input type="checkbox"/> | <input type="checkbox"/> | <input type="checkbox"/> | <input type="checkbox"/> | <input type="checkbox"/> | <input type="checkbox"/> | | |
| | | | <input type="checkbox"/> | <input type="checkbox"/> | <input type="checkbox"/> | <input type="checkbox"/> | <input type="checkbox"/> | <input type="checkbox"/> | <input type="checkbox"/> | <input type="checkbox"/> | <input type="checkbox"/> | <input type="checkbox"/> | <input type="checkbox"/> | <input type="checkbox"/> | <input type="checkbox"/> | <input type="checkbox"/> | <input type="checkbox"/> | <input type="checkbox"/> | | |
| | | | <input type="checkbox"/> | <input type="checkbox"/> | <input type="checkbox"/> | <input type="checkbox"/> | <input type="checkbox"/> | <input type="checkbox"/> | <input type="checkbox"/> | <input type="checkbox"/> | <input type="checkbox"/> | <input type="checkbox"/> | <input type="checkbox"/> | <input type="checkbox"/> | <input type="checkbox"/> | <input type="checkbox"/> | <input type="checkbox"/> | <input type="checkbox"/> | | |
| | | | <input type="checkbox"/> | <input type="checkbox"/> | <input type="checkbox"/> | <input type="checkbox"/> | <input type="checkbox"/> | <input type="checkbox"/> | <input type="checkbox"/> | <input type="checkbox"/> | <input type="checkbox"/> | <input type="checkbox"/> | <input type="checkbox"/> | <input type="checkbox"/> | <input type="checkbox"/> | <input type="checkbox"/> | <input type="checkbox"/> | <input type="checkbox"/> | | |
| | | | <input type="checkbox"/> | <input type="checkbox"/> | <input type="checkbox"/> | <input type="checkbox"/> | <input type="checkbox"/> | <input type="checkbox"/> | <input type="checkbox"/> | <input type="checkbox"/> | <input type="checkbox"/> | <input type="checkbox"/> | <input type="checkbox"/> | <input type="checkbox"/> | <input type="checkbox"/> | <input type="checkbox"/> | <input type="checkbox"/> | <input type="checkbox"/> | | |
| | | | <input type="checkbox"/> | <input type="checkbox"/> | <input type="checkbox"/> | <input type="checkbox"/> | <input type="checkbox"/> | <input type="checkbox"/> | <input type="checkbox"/> | <input type="checkbox"/> | <input type="checkbox"/> | <input type="checkbox"/> | <input type="checkbox"/> | <input type="checkbox"/> | <input type="checkbox"/> | <input type="checkbox"/> | <input type="checkbox"/> | <input type="checkbox"/> | | |


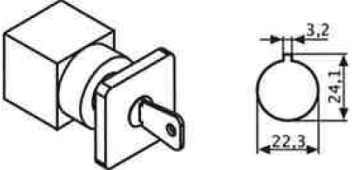
Dimensional drawings



| Size | A | A1 | C | F | L |
|-------|----|----|----|----|----|
| D00-4 | 30 | 20 | 28 | 30 | 29 |

| Size | A | C | F | L |
|-------|----|----|----|----|
| D00-4 | 30 | 28 | 30 | 43 |

Accessories (Order by Part No.)

| Part No. | Description | Image |
|-------------|-------------------------------|--|
| LBS-D00/Z20 | Padlockable handle |  |
| LBS-D00/Z32 | Key handle (only for type ZM) |  |

Connection Diagrams

| | | |
|---|--|--|
| <p>90° Off/On switch</p> <p>F 908 1-pole</p> | <p>Change-over switch with double-sided return</p> <p>F 312 1-pole</p> | <p>Star delta switch, 1 direction</p> <p>F 607</p> |
| <p>90° Off/On switch</p> <p>F 908 3-pole</p> | <p>60° Change-over switch</p> <p>F 614 1-pole</p> | <p>Pole change switch</p> <p>F 603 1-pole</p> |
| <p>90° Off/On switch</p> <p>F 908 4-pole</p> | <p>Step switch, 3 positions</p> <p>F 302 1-pole</p> | <p>Binary code switch</p> <p>F 308 1-pole</p> |
| <p>60° Change-over switch</p> <p>F 604 1-pole</p> | <p>Voltmeter change-over switch</p> <p>F 417 3 line voltages</p> | <p>Binary code switch</p> <p>F 321 1-pole</p> |
| <p>60° Change-over switch</p> <p>F 604 2-pole</p> | <p>Voltmeter change-over switch</p> <p>F 473 3 line and 3 phases voltage</p> | <p>Stop/Start switch</p> <p>F 330 1-pole</p> |
| | <p>Ammeter change-over switch</p> <p>F 904 1-pole and 3 current changer circuits</p> | |