

High Temperature Crimp Terminals

ITC's High Temperature Uninsulated Crimp Terminals are made of nickel-plated steel, (with copper sleeve for disconnect types), appropriate for special applications where high temperatures are expected.

Temperature ratings (maximum):

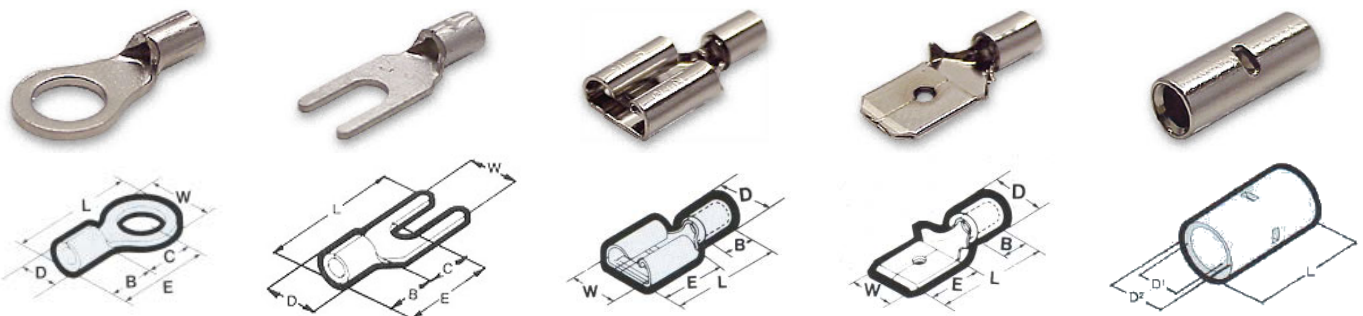
- Ring, Spade terminals: 480°C (900°F)
- Male / Female Disconnects: 380°C (650°F)

Materials: nickel-plated steel (with copper sleeve for disconnect types)

High Temperature Crimp Terminals (Order by Part No.)

Part No.	Description	Wire range	Stud Size	Length L mm	Width W mm	Barrel O.D. mm	Barrel I.D mm	Pack
301.815	Uninsulated HT ring terminal	22-18AWG	# 10	15.6	8	3.4	1.7	100
301.825	Uninsulated HT ring terminal	16-14AWG	# 10	16	8	4.2	2.3	100
301.835	Uninsulated HT ring terminal	12-10AWG	# 10	19.5	9.5	5.6	3.4	50
302.815	Uninsulated HT spade terminal	22-18AWG	# 10	18.5	7.9	3.4	1.7	100
302.825	Uninsulated HT spade terminal	16-14AWG	# 10	18.5	8.7	4.2	2.3	100
302.835	Uninsulated HT spade terminal	12-10AWG	# 10	18.3	9.4	5.6	3.4	50
Part No.	Description	Wire range	Tab Size	Length L mm	Width W mm	Barrel O.D. mm	Barrel I.D mm	Pack
304.815	Uninsulated HT fem. Disconnect	22-16AWG	.25" x .032"	15.5	6.9	3.4	1.7	100
304.825	Uninsulated HT fem. Disconnect	16-14AWG	.25" x .032"	15.5	6.9	4.2	2.3	100
304.835	Uninsulated HT fem. Disconnect	12-10AWG	.25" x .032"	17	6.9	5.6	3.4	50
305.815	Uninsulated HT male disconnect	22-16AWG	.25" x .032"	15.5	6.4	3.4	1.7	100
305.825	Uninsulated HT male disconnect	16-14AWG	.25" x .032"	15.5	6.4	3.4	1.7	100
305.835	Uninsulated HT male disconnect	12-10AWG	.25" x .032"	17	6.4	5.6	3.4	50
Part No.	Description	Wire range	-	Length L mm	-	Barrel O.D. mm	Barrel I.D mm	Pack
306.810	Uninsulated HT butt splice	22-18AWG	-	15	-	3.3	1.7	100
306.820	Uninsulated HT butt splice	16-14AWG	-	15	-	4.1	2.3	100
306.830	Uninsulated HT butt splice	12-10AWG	-	15	-	5.4	3.4	50

Information subject to change without notice



Use ITC crimping tools:

- 501.312 (24-14AWG)
- 501.313 (12-8AWG)
- 504.932 (20-8AWG)

